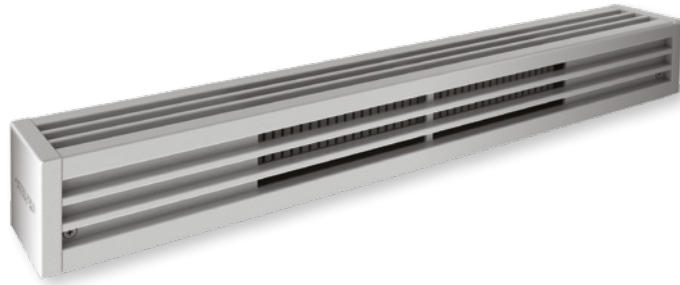


AALUX2 | ALUX™

MINI ARCHITECTURAL ALUMINUM BASEBOARD



STYLE AND DURABILITY AT YOUR FEET

Here is a mini architectural baseboard you won't soon forget. The AALUX2 from the ALUX series, designed to be installed below large windows, patio doors or bay windows. In addition to not cluttering a room, it controls cold air infiltration and condensation since it acts as a hot air curtain. Its unique style and aluminum extrusion not only make it durable but also ensure it complements any room.

EXTRUDED ALUMINUM FRONT AND TOP COVER

WITH A UNIQUE, LUXURY DESIGN

EXTREMELY SOLID, IMPACT AND RUST RESISTANT

NO CONDENSATION BUILD-UP

BLANK SECTIONS AVAILABLE FOR A CONTINUOUS LOOK

COLORS

- **standard:** white, soft white
- **luxury finish:** anodized aluminum (see price list)
- **ORORA (optional):** refer to www.stelpro.com/en-US/orora

FINISH

- epoxy-polyester powdercoat or anodized aluminum finish

MANUFACTURING

- 3 in. x 3 in. compact profile
- solid 20-gauge steel cabinet
- extremely resistant extruded aluminum front cover with a thickness equivalent to 10 gauge
- thermal protection with automatic reset
- full-length wireway
- pencil-proof openings of less than 1/4 in. prevent foreign objects from entering the unit

ELEMENT

- single tubular, stainless steel sheathed element with boxed aluminum fins for improved heat dissipation; the element is securely fastened at its centre, floating in nylon sleeves at each end, eliminating expansion and contraction noises

CONTROL

- wall thermostat (not included) – the use of an electronic thermostat is strongly recommended
- built-in thermostat accessible without removing front grille, installed in the left junction box only (optional)
- low voltage relay kit installed in the left junction box only (optional)

INSTALLATION

- surface mounted
- wall or floor mounted with pedestal kit (optional)
- wiring compartment at both ends of unit
- for a continuous look, custom blank sections with a simple attachment system are available (optional)

WARRANTY

- three years

IDEAL FOR:

below large window, patio door or bay window, kitchen, office, solarium

°STELPRO

°STELPRO reserves the right to modify descriptions, manufacturing specifications or prices without prior notice. No returns accepted on optional-color products. For all the latest models and prices, please refer to our website at www.stelpro.com.



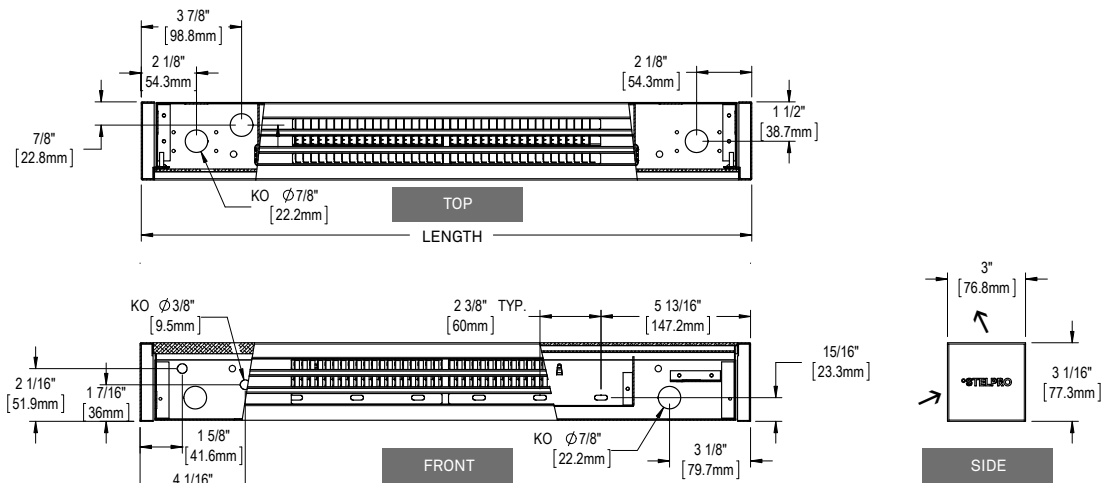
FC_AALUX2_US_061118

TECHNICAL SPECIFICATIONS

DENSITY OF 150 W PER LINEAR FOOT			DENSITY OF 100 W PER LINEAR FOOT			VOLTAGE	LENGTH	WEIGHT	PRICE	
CODE	WATTS	BTU/H	CODE	WATTS	BTU/H	VOLTS	IN.	LB	W OR SW	CA
AALUX206031	300	1024	---	---	---	120	23 5/8	5.2	381.50	452.50
AALUX206038	300	1024	---	---	---	208	23 5/8	5.2	381.50	452.50
AALUX206032	300	1024	---	---	---	240	23 5/8	5.2	381.50	452.50
AALUX209041	450	1536	AALUX209031	300	1024	120	35 7/16	7.8	438.00	509.00
AALUX209048	450	1536	AALUX209038	300	1024	208	35 7/16	7.8	438.00	509.00
AALUX209042	450	1536	AALUX209032	300	1024	240	35 7/16	7.8	438.00	509.00
AALUX209047	450	1536	AALUX209037	300	1024	277	35 7/16	7.8	438.00	509.00
AALUX212061	600	2048	AALUX212041	400	1365	120	47 1/4	10.4	494.00	565.00
AALUX212068	600	2048	AALUX212048	400	1365	208	47 1/4	10.4	494.00	565.00
AALUX212062	600	2048	AALUX212042	400	1365	240	47 1/4	10.4	494.00	565.00
AALUX212067	600	2048	AALUX212047	400	1365	277	47 1/4	10.4	494.00	565.00
AALUX215071	750	2560	AALUX215051	500	1706	120	59 1/16	13	552.50	621.00
AALUX215078	750	2560	AALUX215058	500	1706	208	59 1/16	13	552.50	621.00
AALUX215072	750	2560	AALUX215052	500	1706	240	59 1/16	13	552.50	621.00
AALUX215077	750	2560	AALUX215057	500	1706	277	59 1/16	13	552.50	621.00
AALUX215075	750	2560	AALUX215055	500	1706	480	59 1/16	13	552.50	621.00
AALUX218091	900	3071	AALUX218061	600	2048	120	70 7/8	15.5	608.50	677.50
AALUX218098	900	3071	AALUX218068	600	2048	208	70 7/8	15.5	608.50	677.50
AALUX218092	900	3071	AALUX218062	600	2048	240	70 7/8	15.5	608.50	677.50
AALUX218097	900	3071	AALUX218067	600	2048	277	70 7/8	15.5	608.50	677.50
AALUX218095	900	3071	AALUX218065	600	2048	480	70 7/8	15.5	608.50	677.50
AALUX221101	1050	3583	AALUX221071	700	2388	120	82 11/16	18.1	664.50	735.50
AALUX221108	1050	3583	AALUX221078	700	2388	208	82 11/16	18.1	664.50	735.50
AALUX221102	1050	3583	AALUX221072	700	2388	240	82 11/16	18.1	664.50	735.50
AALUX221107	1050	3583	AALUX221077	700	2388	277	82 11/16	18.1	664.50	735.50
AALUX221105	1050	3583	AALUX221075	700	2388	480	82 11/16	18.1	664.50	735.50
AALUX224121	1200	4095	AALUX224081	800	2730	120	94 1/2	20.7	721.00	792.00
AALUX224128	1200	4095	AALUX224088	800	2730	208	94 1/2	20.7	721.00	792.00
AALUX224122	1200	4095	AALUX224082	800	2730	240	94 1/2	20.7	721.00	792.00
AALUX224127	1200	4095	AALUX224087	800	2730	277	94 1/2	20.7	721.00	792.00
AALUX224125	1200	4095	AALUX224085	800	2730	480	94 1/2	20.7	721.00	792.00
AALUX227138	1350	4607	AALUX227098	900	3071	208	106 5/16	23.3	777.00	848.00
AALUX227132	1350	4607	AALUX227092	900	3071	240	106 5/16	23.3	777.00	848.00
AALUX227137	1350	4607	AALUX227097	900	3071	277	106 5/16	23.3	777.00	848.00
AALUX227135	1350	4607	AALUX227095	900	3071	480	106 5/16	23.3	777.00	848.00

Add W for white, SW for soft white or CA for clear anodized (finish) (consult the optional colors chart or contact your °STELPRO representative for all other colors).
 --- not available

TECHNICAL DRAWINGS



°STELPRO reserves the right to modify descriptions, manufacturing specifications or prices without prior notice. No returns accepted on optional-color products.
 For all the latest models and prices, please refer to our website at www.stelpro.com.



ACCESSORIES

PRODUCT	DESCRIPTION	PRICE
ALUX2T12*	built-in tamper-proof single pole thermostat	149.50
ALUX2RE153*	built-in electronic low voltage relay [15 A @ 120 V-347 V]	85.00
ALUX2RE156*	built-in electronic low voltage relay [6 A @ 600 V]	143.00
ALUX2RE153T*	built-in electronic low voltage relay c/w transformer 24 V [15 A @ 208 V-347 V]	110.00
ALUX2DIS250*	disconnect switch [120 V-250 V] [17 A @ 120 V-12 A @ 250 V]	152.50
ALUX2DIS600*	disconnect switch [277 V-600 V]	161.00
PK5*	pedestal kit – single (kit of two)	163.00
PK5CAP	anodized aluminum (paint) pedestal kit – single (kit of two)	185.50
PK5D*	pedestal kit – double (kit of two)	295.50
PK5DCAP	anodized aluminum (paint) pedestal kit – double (kit of two)	295.50
ALUX2JS*	joiner strip (2 in.)	110.00
ALUX2JSCAP	anodized aluminum (paint) joiner strip (2 in.)	126.00
ALUX2IC90*	inside corner (back measures 6 7/16 in. long on each side)	387.00
ALUX2IC90CA	anodized aluminum (finish) inside corner (back measures 6 7/16 in. long on each side)	435.50
ALUX2OC90*	outside corner (back measures 6 7/16 in. long on each side)	387.00
ALUX2OC90CA	anodized aluminum (finish) outside corner (back measures 6 7/16 in. long on each side)	435.50
ALUX2CB**	clean back (fully finished, no mounting holes or knockouts)	167.50
ALUX2SA*	full width flush fit stand – height of 2 to 12 in.	---
ALUX2SR*	full width recessed stand (39/64 in.) – height of 2 in.	---

Electronic relays can receive a PWM (pulsed width modulation) or digital (on/off) signal

* Add W for white or SW for soft white

* Factory installed



©STELPRO reserves the right to modify descriptions, manufacturing specifications or prices without prior notice. No returns accepted on optional-color products. For all the latest models and prices, please refer to our website at www.stelpro.com.