

AMIR | MIRAGE™

CONVECTOR



MIRAGE™



THE MOST DISCREET ON THE MARKET!

The MIRAGE convector has a unique, modern and discreet look and offers unquestionable efficiency. Available with or without an ultra-precise integrated electronic thermostat and in several voltages, the MIRAGE is suitable for rooms in homes or businesses. With its simple facade and elegant design, the MIRAGE blends in with any decor.

BLENDS IN WITH ANY DECOR

STURDY ONE-PIECE FRONT PANEL

TOTALLY QUIET

BUILT-IN ELECTRONIC THERMOSTAT (OPTIONAL) WITH BACKLIT SCREEN

ADAPTS TO MULTIPLE MARKETS AVAILABLE IN 120 V, 208 V, 240 V, 277 V AND 480 V



ALSO AVAILABLE
QUICK PLUG-IN INTO
RESIDENTIAL 120 V OUTLET

IDEAL FOR:

kitchen, living room, bedroom, basement,
commercial space, office

COLORS

- **standard:** white, soft white
- **luxury finish:** stainless steel (see price list)
- **ORORA (optional):** refer to www.stelpro.com/en-US/orora

FINISH

- epoxy-polyester powdercoat or stainless steel

MANUFACTURING

- 20-gauge steel cabinet and front
- the cabinet height improves the chimney effect
- bottom air intake and top air discharge

ELEMENTS

- two stainless steel tubular sheathed elements insulated with nylon sleeves reducing expansion and contraction noises

CONTROL

- electronic thermostat required: built-in electronic thermostat with LCD screen (optional) or electronic wall thermostat (not included)
- automatic temperature lowering at night (Automatic mode)
- maximum temperature setpoint lock option (Security mode)

INSTALLATION

- surface mounted only
- wall mounted at least 4 in. from the floor
- concealed mounting bracket (included)
- back entry plate with cable clamps (included)

WARRANTY

- five years, *three years on electronic components

°STELPRO

°STELPRO reserves the right to modify descriptions, manufacturing specifications or prices without prior notice. No returns accepted on optional-color products. For all the latest models and prices, please refer to our website at www.stelpro.com.



FC_MIR_US_311018

TECHNICAL SPECIFICATIONS

BUILT-IN THERMOSTAT	PRICE		WITHOUT THERMOSTAT	PRICE		POWER		VOLTAGE	HEIGHT	LENGTH	WEIGHT
	CODE	W OR SW		SS	CODE	W OR SW	SS	WATTS	BTU/H	VOLTS	IN.
AMIR0501	331.00	437.50	AMIR0501WC	262.50	367.00	500	2048	120	18	17 1/2	11.75
AMIR0508	331.00	437.50	AMIR0508WC	262.50	367.00	500	2048	208	18	17 1/2	11.75
AMIR0502	290.50	395.00	AMIR0502WC	220.00	324.50	500/375	2048	240/208	18	17 1/2	11.75
---	---	---	AMIR0507WC	262.50	367.00	500	2048	277	18	17 1/2	11.75
AMIR1001	352.50	458.00	AMIR1001WC	284.50	390.00	1000	3413	120	18	23 1/2	14.75
AMIR1008	352.50	458.00	AMIR1008WC	284.50	390.00	1000	3413	208	18	23 1/2	14.75
AMIR1002	311.00	415.50	AMIR1002WC	242.00	347.50	1000/750	3413	240/208	18	23 1/2	14.75
---	---	---	AMIR1007WC	284.50	390.00	1000	3413	277	18	23 1/2	14.75
---	---	---	AMIR1005WC	367.00	471.50	1000	3413	480	18	23 1/2	14.75
AMIR1501	373.50	477.50	AMIR1501WC	303.00	409.50	1500	5119	120	18	29 1/2	17.75
AMIR1508	373.50	477.50	AMIR1508WC	303.00	409.50	1500	5119	208	18	29 1/2	17.75
AMIR1502	331.00	437.50	AMIR1502WC	262.50	367.00	1500/1125	5119	240/208	18	29 1/2	17.75
---	---	---	AMIR1507WC	303.00	409.50	1500	5119	277	18	29 1/2	17.75
---	---	---	AMIR1505WC	390.00	492.00	1500	5119	480	18	29 1/2	17.75
AMIR2008	395.00	498.50	AMIR2008WC	324.50	429.00	2000	6825	208	18	35 1/2	20.75
AMIR2002	352.50	458.00	AMIR2002WC	284.50	390.00	2000/1500	6825	240/208	18	35 1/2	20.75
---	---	---	AMIR2007WC	324.50	429.00	2000	6825	277	18	35 1/2	20.75
---	---	---	AMIR2005WC	409.50	514.00	2000	6825	480	18	35 1/2	20.75
MODEL WITH 120 V PLUG (RESIDENTIAL OUTLET)											
AMIR1501P*	417.50	---	---	---	---	1500	5119	120	18	29 1/2	17.75

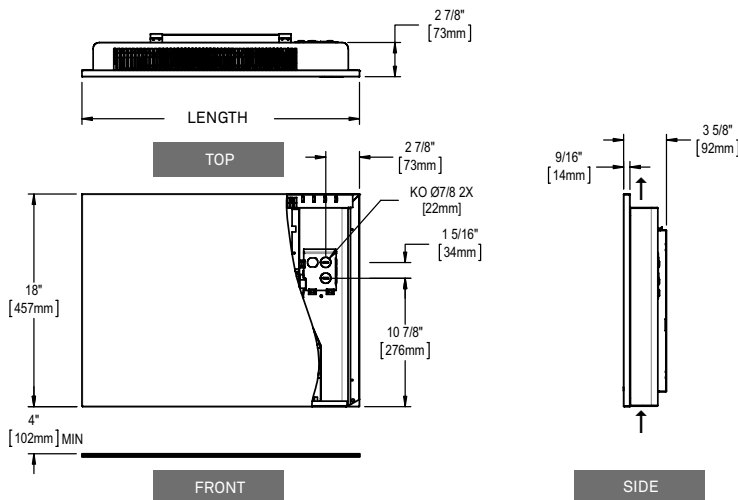
Add W for white, SW for soft white or SS for stainless steel (or consult the optional color chart and contact your °STELPRO representative for all other colors). Mechanical wall thermostats are not compatible with the without thermostat model (WC) – electronic thermostat is required.
 * Available in white only --- not available

ACCESSORIES

PRODUCT	DESCRIPTION	PRICE
MIRRE153*	built-in electronic low voltage relay [15 A @ 120 V-347 V]	82.50
MIRRE156*	built-in electronic low voltage relay [6 A @ 600 V]	140.50
MIRRE153T*	built-in electronic low voltage relay c/w transformer 24 V [15 A @ 208 V-347 V]	107.50

Electronic relays can receive a PWM (pulsed width modulation) or digital (on/off) signal.
 * Factory installed

TECHNICAL DRAWINGS



BUILT-IN ELECTRONIC THERMOSTAT AVAILABLE FOR THE 120 V TO 240 V MODELS