

ASOR | ORLÉANS™

HIGH-END CONVECTOR



ORLÉANS™



INNOVATION THAT MAXIMIZES YOUR COMFORT

With its unique design, the ORLÉANS convector offers a faster temperature rise than any other convector on the market, ensuring optimal comfort in no time at all. The optional built-in thermostat is equipped with the Zigbee protocol and is smart home ready. In addition, the convector is available in optional colors exclusive to °STELPRO, colors that will enhance even the simplest decor. Offering energy efficiency, connectivity, an adapted profile and a wide variety of models, the ORLÉANS is now the benchmark for high-end convectors.

STYLISH AND COMPACT DESIGN

30% SLIMMER CONVECTOR†

OPTIMUM EFFICIENCY

25% FASTER TEMPERATURE RISE†

BUILT-IN THERMOSTAT AVAILABLE (OPTIONAL)

COMPATIBLE WITH THE MAESTRO ECOSYSTEM

QUICK AND EASY INSTALLATION

EXCLUSIVE BRACKET SYSTEM

TOTALLY QUIET

COLORS

- **standard:** white, soft white
- **ORORA (optional):** refer to www.stelpro.com/en-US/orora

FINISH

- epoxy-polyester powdercoat

MANUFACTURING

- 20-gauge steel cabinet and front
- aluminum grille and sides
- bottom air intake and top air discharge
- the cabinet height improves the chimney effect
- safe, rounded corners
- easy access to controls
- thermal protection with automatic reset

ELEMENTS

- aluminum extrusion
- two X-shaped elements to generate maximum heat

CONTROL

- built-in MAESTRO smart thermostat equipped with the Zigbee protocol
- color-coded feedback for responsible energy consumption
- drastic temperature drop detection (open window function)

INSTALLATION

- surface
- wall mounted at least 4 in. from the floor
- innovative mounting bracket for easy height adjustment
- back entry plate with cable clamps (included)

WARRANTY

- five years, *three years on electronic components

† Compared to similar convectors. Temperature rise is laboratory tested.

PATENTS PENDING

IDEAL FOR:

living room, kitchen, bedroom, office, hallway, basement, commercial space, waiting room, conference room

PART OF THE ORLÉANS FAMILY OF PRODUCTS

NEED A FAN HEATER FOR YOUR BATHROOM?

ASORB






°STELPRO

°STELPRO reserves the right to modify descriptions, manufacturing specifications or prices without prior notice. No returns accepted on optional-color products. For all the latest models and prices, please refer to our website at www.stelpro.com.



FC_SOR_US_311018

TECHNICAL SPECIFICATIONS

BUILT-IN THERMOSTAT		WITHOUT THERMOSTAT		POWER		VOLTAGE	LENGTH	WEIGHT
CODE	PRICE	CODE	PRICE	WATTS	BTU/H	VOLTS	IN.	LB
STANDARD MODEL – HEIGHT OF 17 7/8 IN. 								
ASOR0502	517.00	ASOR0502WC	401.00	500/375	1706	240/208	18	10.7
ASOR1002	550.00	ASOR1002WC	434.50	1000/750	3413	240/208	23 1/2	13.2
ASOR1502	586.50	ASOR1502WC	470.50	1500/1125	5119	240/208	29 1/4	15.9
ASOR2002	618.50	ASOR2002WC	502.50	2000/1500	6825	240/208	35 1/4	21.4
HIGH MODEL – HEIGHT OF 27 7/8 IN. 								
ASORH1002	602.00	ASORH1002WC	487.00	1000/750	3413	240/208	18	15
ASORH1502	634.00	ASORH1502WC	518.00	1500/1125	5119	240/208	24 1/2	19.4
ASORH2002	667.00	ASORH2002WC	551.00	2000/1500	6825	240/208	30 1/4	23.2
LOW MODEL – HEIGHT OF 13 IN. 								
ASORL1002	602.00	ASORL1002WC	487.00	1000/750	3413	240/208	29 1/2	11.5
ASORL1502	634.00	ASORL1502WC	518.00	1500/1125	5119	240/208	38 7/8	15.2
ASORL2002	667.00	ASORL2002WC	551.00	2000/1500	6825	240/208	50 1/4	18.3

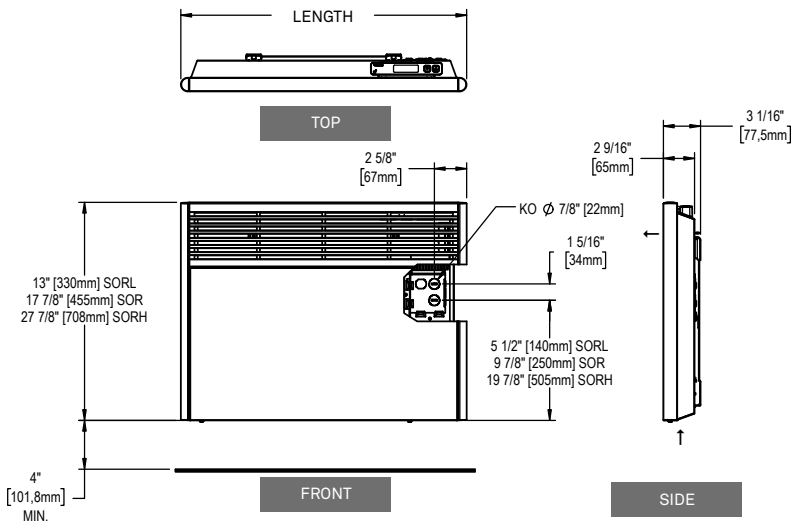
Add W for white or SW for soft white (or consult the optional color chart and contact your *STELPRO representative for all other colors).
Thermostat included except WC = without control.

ACCESSORIES

PRODUCT	DESCRIPTION	PRICE
SORRE153*	built-in electronic low voltage relay [15 A @ 120 V-347 V]	85.00
SORRE153T*	built-in electronic low voltage relay c/w transformer 24 V [15 A @ 208 V-347 V]	110.00

Electronic relays can receive a PWM (pulsed width modulation) or digital (on/off) signal.
* Factory installed

TECHNICAL DRAWINGS



CONTROL THE TEMPERATURE OF YOUR HOME FROM YOUR SMARTPHONE, TABLET OR COMPUTER



HARMONIZES WITH **MAESTRO**

zigbee
COMPATIBLE CONTROLLER REQUIRED

FOR HOME AUTOMATED SYSTEM COMPATIBILITIES AND INSTRUCTIONS ON CONNECTING TO YOUR THERMOSTAT. REFER TO WWW.STELPRO.COM.

