



HT 103 CHIMNEY

Double-wall stainless steel all fuel system

www.jeremiasinc.com



JEREMIAS CONTENTS



HT 103 chimney

Introduction	3
Technical specifications	4
System components	5
Warranty statement	10

JEREMIAS INTERNATIONAL

A photograph of a complex industrial exhaust system. It features numerous large, polished stainless steel pipes and ducts, some with flanges and valves. In the background, two tall, cylindrical chimneys with vertical supports rise against a clear sky. The scene is brightly lit, suggesting an outdoor industrial setting.

STRONG – OPEN – INTERNATIONAL

40 Years of Experience

Jeremias is one of the world's leading manufacturers of flue and chimney systems for the exhaust of gases and ventilation, covering all kinds of domestic, commercial and industrial applications. Jeremias Group product range includes over fifty (50) different CE or UL certified systems covering commercial and domestic applications complimented by freestanding Industrial steel chimneys up to 10 feet in diameter. Jeremias offers its clients a wide range of high quality products, technical support for projects, and stack sizing software.

With over 40 years of experience in the venting and component exhaust industries, Jeremias has seven (7) manufacturing plants in six (6) different countries worldwide. Jeremias today has more than 1,000 employees and is proud of its German engineering origins, and fortunately is now also manufactured in the USA from 100 % local materials!

Here in North America, Jeremias Inc. focused at first on high pressure exhaust systems for commercial and industrial applications and is now expanding into residential systems.

Research and Development

Jeremias has over fifty (50) CE Certified exhaust and chimney systems worldwide for domestic, commercial, and industrial applications. "CE Certification" is the mandatory conformity safety testing for products sold throughout Europe and other parts of the world. In North America, Jeremias employs only Underwriters' Laboratories (UL) for testing, certifications, and listings to all applicable UL and ULC Standards.

JEREMIAS HT 103 CHIMNEY

CHIMNEY LIKE YOU'VE NEVER SEEN IT BEFORE

Jeremias HT 103 "All Fuel" Chimney

- Created by German Chimney Sweeps
- Designed, engineered and built to European Quality levels
- Now made and available in the USA
- The highest quality chimney system in the marketplace

Jeremias HT 103 "All Fuel" Chimney

Unique pipe design and semi-solid insulation provides a product with:

- NO HEAT BRIDGE between inner and outer pipes
- No hot spots at joints, no voids in the insulation

This construction allows for the only vent lengths in the industry which can be field cut to the exact length your installation requires without voiding the listing or warranty! Provides the perfect fit for through the wall installation or working around offsets without the constraint of fixed vent lengths or the issues and limitations of adjustable vent lengths.

True "All Fuel" Chimney with standard 316L Stainless Steel inner flue pipe and 304 Stainless Steel outer pipe.

Highest Quality TIG Welded throughout.

Cut to length in the field



Designed and built for the highest quality and ease of installation:

- Features simple, strong slide fit pipe joints with 2 1/4" overlap
- Strong and attractive locking bands install easily and provide a finished appearance
- All support brackets and braces are stainless steel



SYSTEM COMPONENTS

Chimney Adapter / HT06AD

Connects Smoke pipe to Jeremias HT Chimney. For use with Wall Thimble and Ceiling Support Box assemblies.

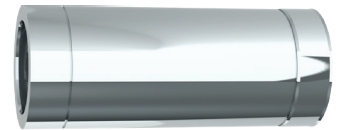
NO.	DESCRIPTION	A	B
10116780	HT06AD 6" Chimney Adaptor	6	8
10122682	HT08AD 8" Chimney Adaptor	8	10
	5" to 6"		
	7" to 8"		



Chimney Length / HT06SS6

Insulated Chimney Length. Includes locking band.

NO.	DESCRIPTION	A	B	C
10116793	HT06SS6 6" Chimney length SS 6"	6	8	6
10116794	HT06SS9 6" Chimney length SS 9"	6	8	9
10116795	HT06SS12 6" Chimney length SS 12"	6	8	12
10118904	HT06SS12 6" Chimney length SS 18"	6	8	18
10116796	HT06SS24 6" Chimney length SS 24"	6	8	24
10116797	HT06SS36 6" Chimney length SS 36"	6	8	36
10116798	HT06SS48 6" Chimney length SS 48"	6	8	48
10122694	HT08SS6 8" CHIMNEY LENGTH SS 6"	8	10	6
10122695	HT08SS9 8" CHIMNEY LENGTH SS 9"	8	10	9
10122696	HT08SS12 8" CHIMNEY LENGTH SS 12"	8	10	12
10122725	HT08SS18 8" CHIMNEY LENGTH SS 18"	8	10	18
10122697	HT08SS24 8" CHIMNEY LENGTH SS 24"	8	10	24
10122698	HT08SS36 8" CHIMNEY LENGTH SS 36"	8	10	36
10122699	HT08SS48 8" CHIMNEY LENGTH SS 48"	8	10	48



15 Degree Elbow Kit / HT06ELKT15

Connects Smoke pipe to Jeremias HT Chimney. For use with Wall Thimble and Ceiling Support Box assemblies.

NO.	DESCRIPTION	A	B
10116783	HT06ELKT15 6" 15 Degree Elbow Kit	6	8
10122685	HT08ELKT15 8" 15 Degree Elbow Kit	8	10



30 Degree Elbow Kit / HT06ELKT30

Used to offset chimney around obstacles. Each kit includes 2 elbows and an Elbow Strap for support.

NO.	DESCRIPTION	A	B
10116784	HT06ELKT30 6" 30 Degree Elbow Kit	6	8
10122686	HT06ELKT30 8" 30 Degree Elbow Kit	8	10



SYSTEM COMPONENTS

Tee with Cap / HT06SSTWC

Tee Connection with removable insulated cap for inspection and cleaning.

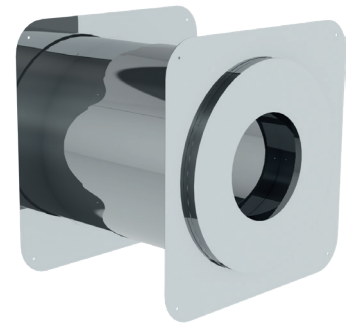
NO.	DESCRIPTION	A	B
10116802	HT06SSTWC 6" SS Tee with cap	6	8
10122702	HT08SSTWC 8" SS Tee with cap	8	10



Wall Thimble / HT06WT

Provides shielding and a finished look where HT Chimney passes through a wall. Thimble adjusts to accommodate wall up to 12" thick. Interior Cylinder and Trim Plate are Black powder coat.

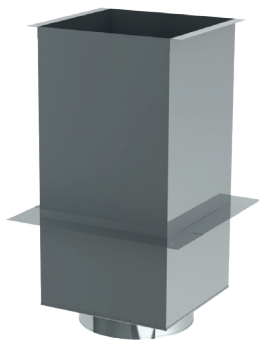
NO.	DESCRIPTION	A	B
10116806	HT06WT 6" Wall Thimble	12	14
10122706	HT08WT 8" Wall Thimble	14	16



Square Ceiling Support / HT06CS24

Provides vertical support and a finished look where HT Chimney passes through a ceiling. The trim plate is adjustable to work on both flat and pitched ceilings. The Square support box and trim plates are black powder coat.

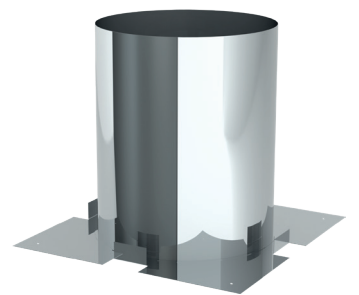
NO.	DESCRIPTION	A	B	C
10116783	HT06CS24 6" Square Ceiling Support 24"	12	16	24
10122677	HT06CS24 6" Square Ceiling Support 11"			11
10122678	HT06CS24 6" Square Ceiling Support 36"			36
10122721	HT08CS24 8" Square Ceiling Support 24"	14	18	24
10122679	HT08CS24 8" Square Ceiling Support 11"			11
10122680	HT08CS24 8" Square Ceiling Support 36"			36



Firestop Radiation Shield / HT06FRS

Installation required where HT Chimney passes through a combustible ceiling.

NO.	DESCRIPTION	A	B
10116787	HT06FRS 6" Radiation Shield		
10122689	HT06FRS 8" Radiation Shield		

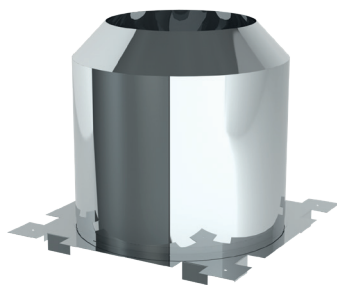


SYSTEM COMPONENTS

Attic Insulation Shield / HT06IS

Establishes clearance between HT Chimney and Attic insulation. Install where HT Chimney passes through an unoccupied attic space.

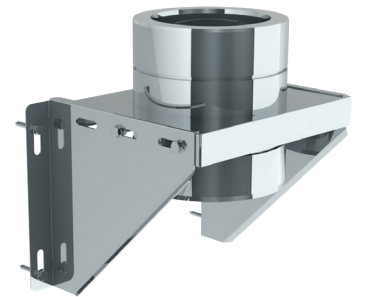
NO.	DESCRIPTION	A	B
10116781	HT06IS 6" Attic Insulation Shield		
10122683	HT06IS 8" Attic Insulation Shield		



Tee Support / HT06TS6

Provides vertical support for through-the-wall type installations. The support plate includes a length of insulated HT Chimney. The support can be installed either above or below the Tee.

NO.	DESCRIPTION	A	B	C
10116804	HT06TS6 6" Tee Support			
10122704	HT06TS8 8" Tee Support			



Adjustable Wall Bracket / HT06AWB

Provides lateral support for HT Chimney that is installed vertically along a wall.

NO.	DESCRIPTION	A	B
10116805	HT06AWB 6" Adjustable Wall Bracket		
10122705	HT08AWB 8" Adjustable Wall Bracket		



Elbow Strap / HT06ELS

Provides support where HT Chimney is offset diagonally. One Elbow Strap is included with each Elbow Kit.

NO.	DESCRIPTION	A	B
10116785	HT06ELS 6" Elbow Strap	8	
10122687	HT08ELS 8" Elbow Strap	10	



SYSTEM COMPONENTS

Telescopic Roof Brace / HT06TRB

Provides for HT Chimney that extends vertically beyond the roof surface.

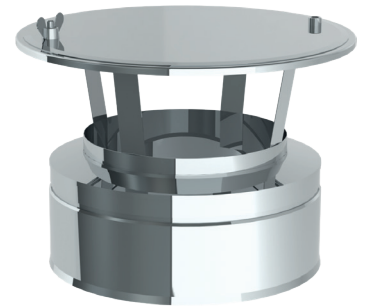
NO.	DESCRIPTION	A	B
10116786	HT06TRB 6" Telescopic Roof Brace	8	
10122688	HT08TRB 8" Telescopic Roof Brace	10	



Rain Cap / HT06RC

Terminates the HT Chimney system. Prevents rain from entering the HT Chimney system. Includes a swivel top allowing access to the chimney system for cleaning and inspection.

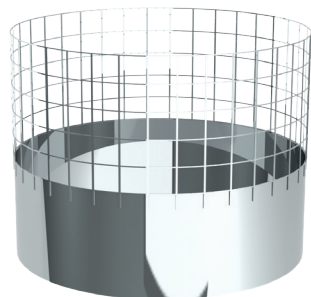
NO.	DESCRIPTION	A	B
10116782	HT06RC 6" Rain Cap		
10122684	HT08RC 8" Rain Cap		



Spark Arrestor / HT06SA

Prevents birds and other nuisance from entering the HT Chimney. Also reduces ash and other materials from exiting the rain cap. Spark Arrestor is installed inside the Rain Cap.

NO.	DESCRIPTION	A	B
10116800	HT06SA 6" Spark Arrestor		
10122700	HT08SA 8" Spark Arrestor		



Storm Collar / HT06SC

Installation required where HT Chimney passes through a combustible ceiling.

NO.	DESCRIPTION	A	B
10116801	HT06SC 6" Storm Collar		
10122701	HT08SC 8" Storm Collar		

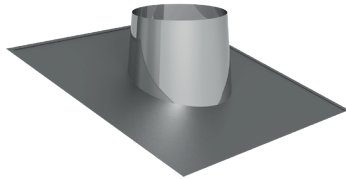


SYSTEM COMPONENTS

Attic Insulation Shield / HT06FRF

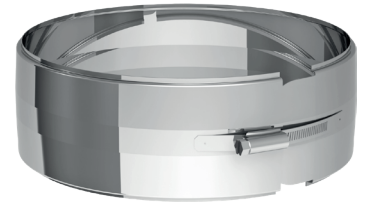
Establishes clearance between HT Chimney and Attic insulation. Install where HT Chimney passes through an unoccupied attic space.

NO.	DESCRIPTION	A	B	A	B
10116788	HT06FRF 6" Flat Roof Flashing	20"x20"	8-5/8"	12"	10"
10116789	HT06PRF06 6" Flashing 0/12 - 6/12	20-1/2"x20-1/2"	8-5/8"	12-1/2"	4"
10116790	HT06PRF712 6" Flashing 7/12 - 12/12	24-2/8"x24-3/8"	8-5/8"	16-3/8"	4"
10116791	HT06PRFF06 6" Flashing 0/12-6/12 Formable				
10122690	HT08FRF 8" Flat Roof Flashing				
10122691	HT08PRF06 8" Flashing 0/12 - 6/12				
10122692	HT08PRF712 8" Flashing 7/12 - 12/12				
10122693	HT08PRFF06 8" Flashing 0/12-6/12 Formable				



Locking Band / HT06LB

NO.	DESCRIPTION	A	B	C
10116779	HT06LB 6" Locking Band 2.0			
10122681	HT06LB 8" Locking Band 2.0			



WARRANTY STATEMENT

I. 1-Year Limited Warranty

Jeremias Inc. (“Jeremias”) provides a 1-year limited warranty (“1-Year Limited Warranty”) for its Universal Stacks and Exhaust Systems models SWKL and DWKL (collectively, the “Products”) for any defect in workmanship or materials under normal use from the date of shipment to the purchaser of Products (“Purchaser”), subject to the following conditions:

- > Product sizing and specifications have been performed in accordance with generally accepted engineering practices.
- > Correct installation and maintenance in full compliance with Jeremias’ installation and maintenance instructions as published at the time of installation.

II. Extended 25-Year Limited Warranty

Jeremias provides for an extended 25-year limited warranty (“25-Year Limited Warranty”) for any defect in workmanship or materials under normal use from the date of shipment to the Purchaser, subject to the satisfaction of the following conditions:

- > Products must have been designed and sized by Jeremias’ personnel.
- > Availability of a written inspection report from the time of installation, or timely thereafter, by a Jeremias inspector or an inspector authorized by Jeremias, that the Product assembly and installation conformed to all of Jeremias’ assembly and installation instructions.
- > Products were at all times operated and maintained in full compliance with Jeremias’ operation and maintenance instructions as published at the time of installation or as later provided to Purchaser by Jeremias.

III. Exclusion of Limited Warranty

The 1-Year Limited Warranty and the 25-Year Limited Warranty (collectively the “Limited Warranty”) shall not cover (i) damages to:

wear parts, e.g. seals; demonstration units; paintwork; moving parts, including but not limited to compensators, flue gas dampers, draught regulators, chimney, doors; flexible piping; insulation; consumables, such as granulates; minor Product deviations which do not effect functionality; or (ii) damages caused by: contamination of ambient air or combustion air by chlorinated hydrocarbons or other vapors which may cause excessively severe acid condensate to form within the Products; merchandise provided by other manufacturers; installation, transport or commissioning; Purchaser, an installer or other third parties; normal wear and tear; any party other than Jeremias in a willful manner; force majeure, including, but not limited to flood, fire or frost; non-compliance with the assembly, installation, operation and maintenance instructions available at www.JeremiasInc.com; assembly, installation, maintenance or repair by unqualified personnel; improper commissioning; use of Products not in accordance with their intended purpose; exposure of Products to any metals of an inferior quality; contamination of the Products between unpacking and assembly; burning of wood other than unpainted, natural wood, which has been stored for at least 3 years and which moisture level does not exceed 20%; or burning of chipboard or domestic waste.

IV. Remedies

If a valid Limited Warranty claim arises, Jeremias shall, in its sole discretion, either repair the Product or deliver a properly functioning Product. This Limited Warranty is limited to repair or replacement of the Product plus shipping cost to the location of the defective Product. The Limited Warranty does not cover labor costs for removal or replacement of the defective Product, unless such labor shall be carried out by Jeremias itself in its sole discretion.

V. Filing of a Limited Warranty Claim

Limited Warranty claims may only be asserted during the term of the applicable Limited Warranty period. Any extension of the term of the Limited Warranties shall be excluded, regardless of the legal basis. If Purchaser believes that there is a justified Limited Warranty claim, Purchaser shall notify Jeremias to that effect in writing. Any claims stemming from or relating to a Limited Warranty shall be asserted in detail within eight weeks after the discovery of the defect (the time when the notification is received by Jeremias will be the basis for determining whether a claim has been reported within this deadline) or else shall be excluded and not be recognized by Purchaser. Such notification shall include a description of the defect, original proof of purchase, and a copy of the written inspection report as described in Section II above (if applicable).

VI. No Other Warranty

EXCEPT AS SET FORTH EXPRESSLY THEREIN, JEREMIAS MAKES NO WARRANTIES, EITHER EXPRESS OR IMPLIED, REGARDING THE PRODUCTS, INCLUDING, BUT NOT LIMITED TO, THE IMPLIED WARRANTIES OF MERCHANTABILITY AND FITNESS FOR A PARTICULAR PURPOSE.

VII. Damages Disclaimer and Limitation

IN NO EVENT SHALL JEREMIAS BE LIABLE TO ANY CLIENT OR ANY OTHER PERSON FOR ANY (A) INDIRECT, INCIDENTAL, CONSEQUENTIAL OR PUNITIVE DAMAGES, INCLUDING LOSS OF PROFIT OR GOODWILL OR (B) DIRECT DAMAGES TO BODY, HEALTH OR PROPERTY FOR ANY MATTER ARISING OUT OF OR RELATING TO THE PRODUCTS, WHETHER SUCH LIABILITY IS ASSERTED ON THE BASIS OF CONTRACT, TORT OR OTHERWISE EVEN IF JEREMIAS HAS BEEN ADVISED OF THE POSSIBILITY OF SUCH DAMAGES. IN NO EVENT SHALL JEREMIAS’ TOTAL AGGREGATE LIABILITY FOR DAMAGES EXCEED THE GREATER OF THE AMOUNT OF (A) TOTAL COMPENSATION PAID BY PURCHASER TO JEREMIAS FOR THE PRODUCTS, OR (B) PROCEEDS AVAILABLE FROM ANY INSURANCE POLICY IN EFFECT AND APPLICABLE TO THE EVENT GIVING RISE TO SUCH LIABILITY.

VIII. Notice

Any notice or other communication hereunder to Jeremias shall be sent postage prepaid, by certified mail, by courier such as United Parcel Service or e-mail, to the following: Jeremias Inc., 983 Industrial Park Drive, Marietta, GA 30062, E-mail: Info@JeremiasInc.com. Notices shall be effective upon receipt.

IX. Terms and Conditions of Sale

Purchaser’s Terms and Conditions of Sale as currently in effect shall govern these Limited Warranties, including without limitation the rights and responsibilities granted hereunder.

PRODUCTION SITES

» USA

Jeremias Inc.
983 Industrial Park Drive
Marietta, GA 30062, USA
phone: +1 678 388 2740
e-mail: info@jeremiasinc.com
www.jeremiasinc.com

» Germany

www.jeremias.de

» Poland

www.jeremias.pl

» Spain

www.jeremias.com.es

» Russia

www.jeremias.ru

» Czech Republic

www.jeremias.cz

» United Kingdom

www.jeremias.uk

SALES OFFICES

» France

www.jeremias-france.fr

» Hungary

www.jeremias.hu

» Slovakia

www.jeremias.sk

» Croatia

www.jeremias.hr

» Finland

www.jeremias.fi

» Switzerland

www.jeremias-schweiz.ch

» UAE

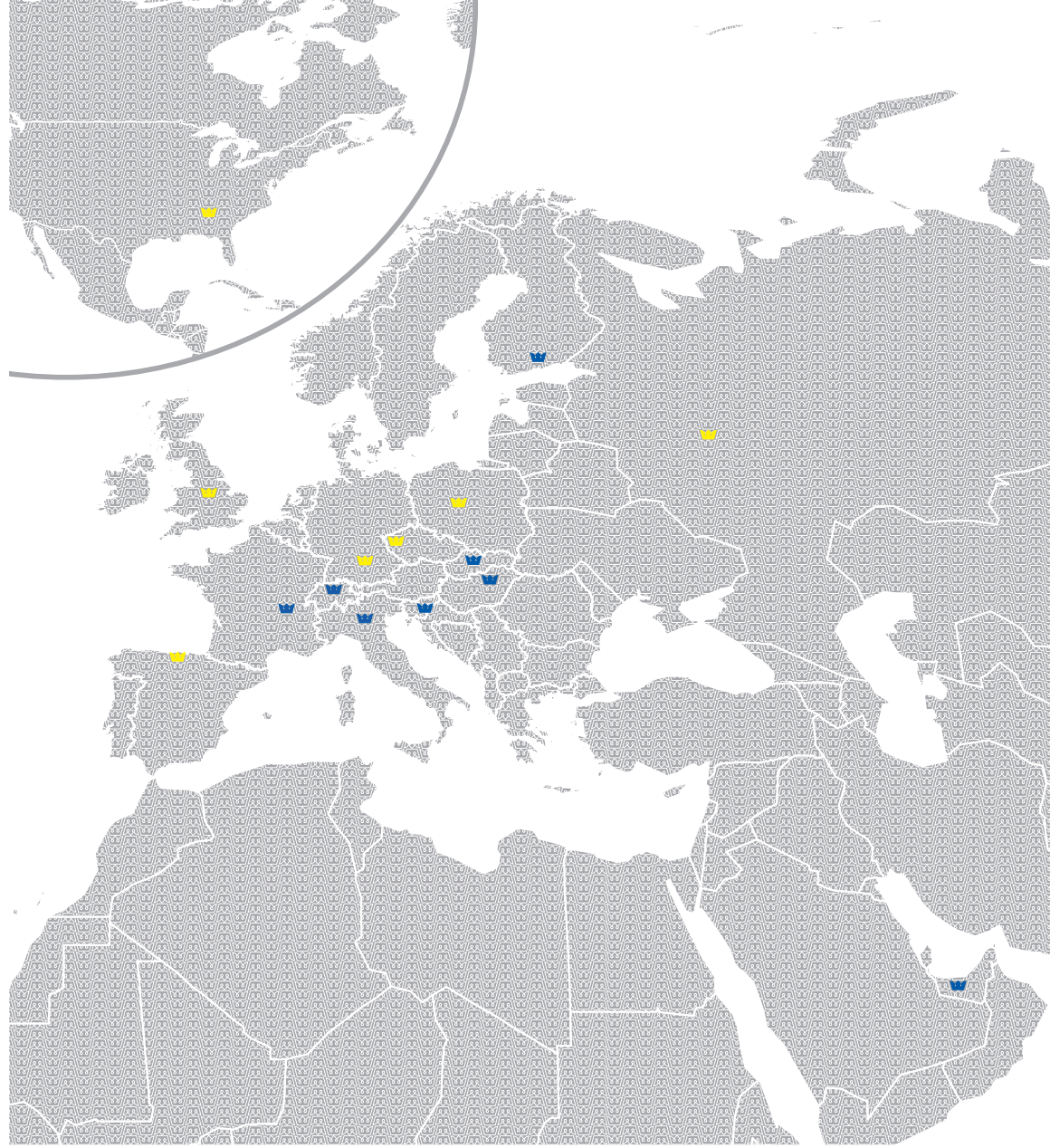
www.jeremias-me.com

» Italy

www.jeremias.it

Jeremias is represented in the following countries:

Austria | Belarus | Belgium | Bulgaria | Brazil | Denmark | Estonia | Hong Kong | Ireland | Kazakhstan | Latvia | Lithuania | Luxembourg | Malta | Netherlands | Norway | Portugal | Romania | Saudi Arabia | Serbia | Singapore | Slovenia | South Africa | Sweden | Tunisia | Ukraine



jeremias[®]
EXHAUST SYSTEMS

Jeremias high quality products are only installed by chosen experts.

The experts in your area: