

# MODEL EV B-VENT CHIMNEY

## Type B Gas Vent 10" - 30"



ECCO™ is proud to be a member of:



**SMACNA**  
Sheet Metal and Air  
Conditioning Contractors'  
National Association  
[www.smacna.org](http://www.smacna.org)



**HRAI**  
Heating, Refrigeration and  
Air Conditioning  
Institute of Canada  
[www.hrai.ca](http://www.hrai.ca)



**HARDI**  
Heating, Air-conditioning  
& Refrigeration  
Distributors International  
[www.hardinet.org](http://www.hardinet.org)



**ADI**  
Air  
Distribution  
Institute  
[www.steelduct.org](http://www.steelduct.org)



**AD**  
Affiliated Distributors™  
[www.adhq.com](http://www.adhq.com)



**CME**  
Canadian  
Manufacturers &  
Exporters  
[www.cme-mec.ca](http://www.cme-mec.ca)



**SPIDA**  
Spiral Duct  
Manufacturers  
Association  
[www.spida.org](http://www.spida.org)



# MODEL E/V TYPE B GAS VENT 10" – 30"

## INDEX

CONNECTORS — DRAFT HOOD — DHC.....	B2-10
ELBOWS	
45 DEGREE — 45EL.....	B2-8
90 DEGREE — 90EL.....	B2-9
FIRESTOP SPACERS — FS.....	B2-7
FLASHINGS	
ADJUSTABLE — 1/12 – 7/12 — AF.....	B2-6
ADJUSTABLE — 1/12 – 7/12 — ARF — SOLDERED.....	B2-6
FLAT — FF.....	B2-6
INCREASERS — DOUBLE WALL — INC.....	B2-10
MODEL E/V TYPE 'B' GAS VENT 10" – 30"	
APPLICATION / DIAGRAM / INSTALLATION.....	B2-3 – B2-4
RAIN CAPS — RC.....	B2-7
SPUN TEE CAPS — TC.....	B2-9
STORM COLLARS — SC	
10" – 24".....	B2-7
26" – 30".....	B2-7
SUPPORT ASSEMBLY — SA.....	B2-8
SUPPORT PLATES — SP.....	B2-8
SUPPORT RINGS — SR.....	B2-8
TEES	
DOUBLE WALL — DWT.....	B2-9
SINGLE WALL — SWT.....	B2-9
VENT PIPE — VP.....	B2-5
ADJUSTABLE — VPA.....	B2-6
WARRANTY.....	B2-11
WYES — DOUBLE WALL — DWW.....	B2-10

### LEGEND

**NOTE:** The boxed columns throughout the tables are intended to provide a quick determination of ordering dimensions.

**ABBREVIATIONS:** CTN/QTY = Carton Quantity  
 WT/100 = Weight per 100 Pieces  
 PCS/BNDL = Pieces per Bundle

– E.&O.E. – Subject to Change Without Notice – May Not Be Available At All Locations –

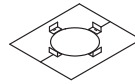
SPUN PLUG/CAP



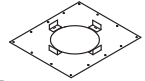
SUPPORT RING



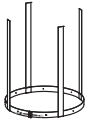
FIRESTOP SPACER



SUPPORT PLATE



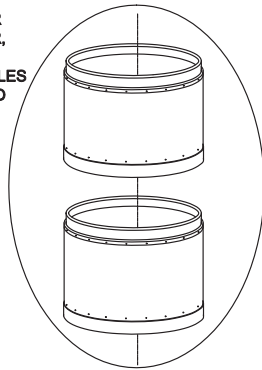
SUPPORT ASSEMBLY



# Type B Gas Vent Installation Model E/V-Commercial 10" - 30"

## ASSEMBLY

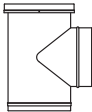
- 10" - 30" SIZES
- TO JOIN VENT PIPES, INSERT MALE COUPLER INTO FEMALE COUPLER, AND USE SHEET METAL SCREWS THROUGH HOLES IN FEMALE COUPLER TO FASTEN PIPES.



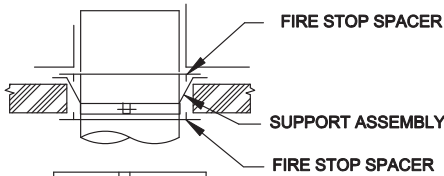
DOUBLE WALL INCREASER



SINGLE WALL TEE



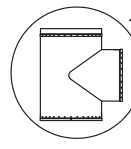
## TYPE B GAS VENT INSTALLATION MODEL EV-COMMERCIAL 26" - 30"



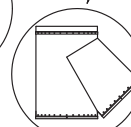
DRAFT HOOD CONNECTOR



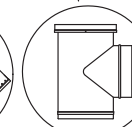
NOTCH TABS ON  
FIRE STOP SPACER  
ABOVE SUPPORT  
ASSEMBLY



DOUBLE WALL TEE

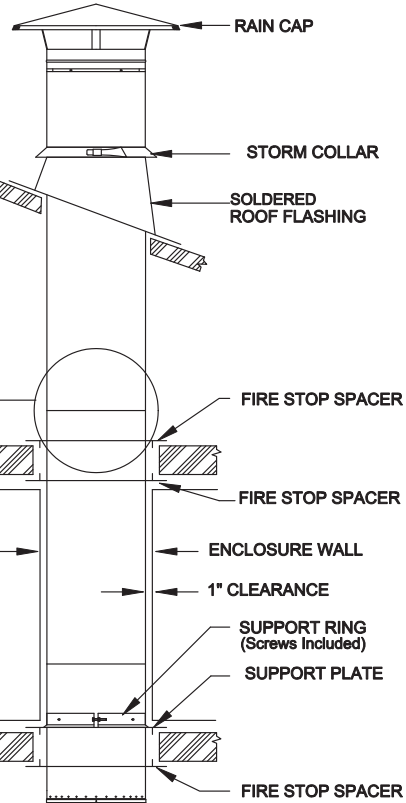


DOUBLE WALL WYE

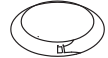


SINGLE WALL TEE

DRAFT HOOD CONNECTOR



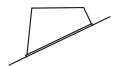
STORM COLLAR



FLAT ROOF FLASHING



ADJUSTABLE ROOF FLASHING  
1/12 - 7/12 PITCH

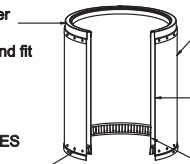


B-VENT PIPE



## CONSTRUCTION DETAILS

**DIE-FORMED COUPLINGS**  
- integrates the inner and outer pipe as one unit  
- ensures consistent quality and fit



**OUTSIDE CASING OF GALVALUME STEEL**  
- provides strength and durability

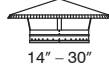
**1" INSULATING AIR SPACE**  
- eliminates condensation, while keeping the outer casing cool

**PRESTAMPED SCREW HOLES**  
- no drilling  
- easy and quick assembly  
- a positive and strong lock

**INSIDE CONDUIT OF ALUMINUM**  
- resists corrosion



RAIN CAP



14" - 30"

RAIN CAP



10" - 12"

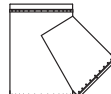
ADJUSTABLE B-VENT PIPE



DOUBLE WALL TEE



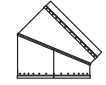
DOUBLE WALL WYE BRANCH



DOUBLE WALL ELBOW 90°  
10" - 12" only



DOUBLE WALL ELBOW 45°



ECCO Manufacturing PRINTED IN CANADA 20/02/2008 PV

- E.&O.E. - Subject to Change Without Notice - May Not Be Available At All Locations -



# MODEL E/V TYPE B GAS VENT 10" – 30"

## MODEL E/V TYPE 'B' GAS VENT 10" – 30"

### APPLICATION / INSTALLATION

Vent sizing and installation are to be made in accordance with the applicable codes shown below.

#### In USA

Connection to appliance and vent sizing to be in accordance with the NATURAL FUEL GAS CODE, ANSI Z223.1 (NFPA 54), NFPA 211, GAMA VENTING TABLES, and/or the requirements of the local authorities having jurisdiction.



#### In Canada

Connection to appliance and vent sizing to be in accordance with the NATURAL GAS INSTALLATION CODE, CAN/CGA-B149.1 or the PROPANE INSTALLATION CODE, CAN/CGA-B149.2 and/or the requirements of the local authorities having jurisdiction.



ECCO Type B Gas Vent and accessories are for venting listed Natural Gas or Liquid Propane Category 1 appliances only. ECCO Type B Gas Vent Systems may be used on other gas-burning appliances, providing the appliance is certified for use with Type B Gas Vent, the installation conforms to the appliance manufacturer's certified installation instructions, and the installation is acceptable to the requirements of the local authority having jurisdiction. Type B Gas Vent shall not be used to vent flue products from incinerators, combination gas/oil appliances, oil-fired, or wood-burning appliances. If there is a question about the use of Type B Gas Vents, contact the appliance manufacturer, the authority having jurisdiction, or ECCO Manufacturing™ for further information.

Tested to UL441 "Gas Vent" basic standard.

**TABLE OF 45° OFFSETS** (for attic area where required)

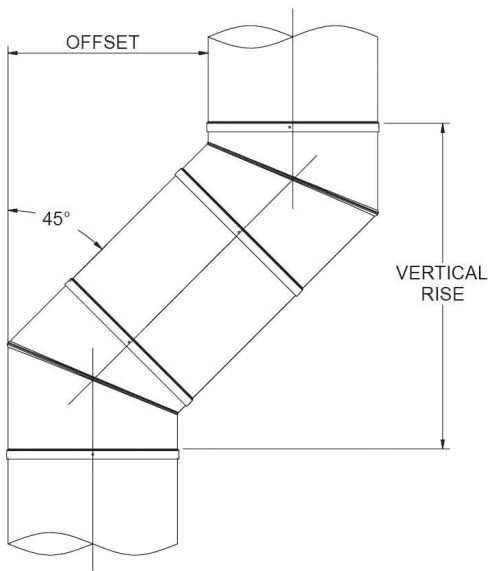
Use this table to determine the maximum offset produced by two 45° Elbows and one length of Vent Pipe.

### OFFSET

Length Used	none	12"	18"	24"	36"	60"
10	6-1/4	14	18-1/4	22-4/8	30-7/8	47-7/8
12	6-3/4	14-1/2	18-3/4	23	31-1/2	-
14	7-3/8	15-1/8	19-3/8	23-5/8	32-1/8	-
16	8	15-3/4	20	24-1/4	32-3/4	-
18	8-5/8	16-1/4	20-1/2	24-3/4	33-1/4	-
20	9-1/8	16-3/4	21	25-1/4	33-3/4	-
22	9-3/4	17-1/2	21-3/4	26	34-1/2	-
24	10-3/8	18	22-1/4	26-1/2	35	-
26	11	18-3/4	22-7/8	27-1/8	35-5/8	-
28	11-5/8	19-1/4	23-1/2	27-3/4	36-1/4	-
30	12-1/8	19-7/8	24-1/8	28-3/8	36-7/8	-

### VERTICAL RISE

Length Used	none	12"	18"	24"	36"	60"
10	15-1/8	22-7/8	27-1/8	31-3/8	39-3/4	56-3/4
12	16-3/8	24-1/8	28-3/8	32-5/8	41-1/8	-
14	17-7/8	25-5/8	29-7/8	34-1/8	42-5/8	-
16	19-3/8	27-1/8	31-3/8	35-5/8	44-1/8	-
18	20-3/4	28-3/8	32-5/8	36-7/8	45-3/8	-
20	22	29-5/8	33-7/8	38-1/8	46-5/8	-
22	23-5/8	31-3/8	35-5/8	39-7/8	48-3/8	-
24	25	32-5/8	36-7/8	41-1/8	49-5/8	-
26	26-5/8	34-1/4	38-1/2	42-3/4	51-1/4	-
28	28	35-5/8	39-7/8	44-1/8	52-5/8	-
30	29-3/8	37	41-1/4	45-1/2	54	-



- E.&O.E. - Subject to Change Without Notice - May Not Be Available At All Locations -



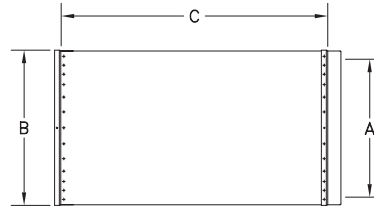
# MODEL EV TYPE B GAS VENT 10" – 30"

## VENT PIPE — VP

ITEM #	MODEL #	A (")	B (")	C (")	CTN/QTY	WT/100
231001	1060VP	10	12	59	*	1608

\*Product shipped individually.

**NOTE:** Dimension C is installed length. Nominal length is 60".



ITEM #	MODEL #	A (")	B (")	C (")	CTN/QTY	WT/100
231002	1036VP	10	12	35	*	1024
231202	1236VP	12	14	35	*	1198
241402	1436VP	14	16	35	*	1370
241602	1636VP	16	18	35	*	1544
251802	1836VP	18	20	35	*	1718
252002	2036VP	20	22	35	*	1942
262202	2236VP	22	24	35	*	2121
262402	2436VP	24	26	35	*	2299
272602	2636VP	26	28	35	*	3274
272802	2836VP	28	30	35	*	3509
283002	3036VP	30	32	35	*	3746

\*Product shipped individually.

**NOTE:** Dimension C is installed length. Nominal length is 36".

ITEM #	MODEL #	A (")	B (")	C (")	CTN/QTY	WT/100
231003	1018VP	10	12	17	*	586
231203	1218VP	12	14	17	*	685
241403	1418VP	14	16	17	*	784
241603	1618VP	16	18	17	*	885
251803	1818VP	18	20	17	*	985
252003	2018VP	20	22	17	*	1110
262203	2218VP	22	24	17	*	1212
262403	2418VP	24	26	17	*	1314
272603	2618VP	26	28	17	*	1807
272803	2818VP	28	30	17	*	1938
283003	3018VP	30	32	17	*	2069

\*Product shipped individually.

**NOTE:** Dimension C is installed length. Nominal length is 18".

ITEM #	MODEL #	A (")	B (")	C (")	CTN/QTY	WT/100
231052	1024VP	10	12	23	*	732
231252	1224VP	12	14	23	*	856
241452	1424VP	14	16	23	*	980
241652	1624VP	16	18	23	*	1105
251852	1824VP	18	20	23	*	1229
252052	2024VP	20	22	23	*	1387
262252	2224VP	22	24	23	*	1515
262452	2424VP	24	26	23	*	1643
272652	2624VP	26	28	23	*	2296
272852	2824VP	28	30	23	*	2461
283052	3024VP	30	32	23	*	2628

\*Product shipped individually.

**NOTE:** Dimension C is installed length. Nominal length is 24".

ITEM #	MODEL #	A (")	B (")	C (")	CTN/QTY	WT/100
231004	1012VP	10	12	11	*	439
231204	1212VP	12	14	11	*	514
241404	1412VP	14	16	11	*	589
241604	1612VP	16	18	11	*	665
251804	1812VP	18	20	11	*	741
252004	2012VP	20	22	11	*	832
262204	2212VP	22	24	11	*	910
262404	2412VP	24	26	11	*	986

\*Product shipped individually.

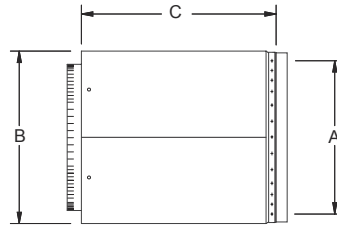
**NOTE:** Dimension C is installed length. Nominal length is 12".



# MODEL EV TYPE B GAS VENT 10" - 30"

## VENT PIPE ADJUSTABLE — VPA

ITEM #	MODEL #	A (")	B (")	C (")	CTN/QTY	WT/100
231026	1018VPA	10	12-1/4	18	*	623
231226	1218VPA	12	14-1/4	18	*	731
241426	1418VPA	14	16-1/4	18	*	839
241626	1618VPA	16	18-1/4	18	*	948
251826	1818VPA	18	20-1/4	18	*	1057
252026	2018VPA	20	22-1/4	18	*	1165
262226	2218VPA	22	24-1/4	18	*	1276
262426	2418VPA	24	26-1/4	18	*	1381
272626	2618VPA	26	28-1/4	18	*	1870
272826	2818VPA	28	30-1/4	18	*	2006
283026	3018VPA	30	32-1/4	18	*	2141

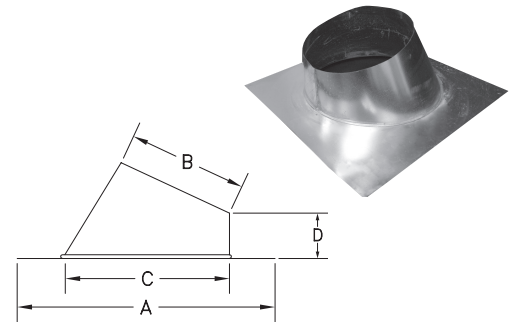


\*Product shipped individually.

**NOTE:** Adjusts from 3-1/2" to 16"

## FLASHINGS — ADJUSTABLE — 1/12 - 7/12 — AF

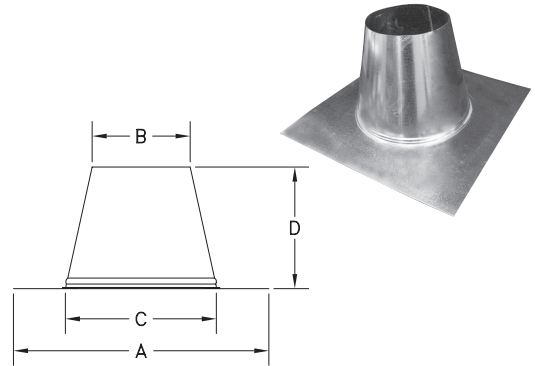
ITEM #	MODEL #	SIZE (")	A (")	B (")	C (")	D (")	CTN/QTY	WT/100
231008	10AF	10	25 × 25	12-1/4	16-1/2	4	*	461
231208	12AF	12	27 × 27	14-1/4	18-7/8	4	*	528
241408	14AF	14	30 × 30	16-1/4	21-1/8	4	*	635
241608	16AF	16	32 × 32	18-1/4	23-1/2	4	*	707
251808	18AF	18	34 × 34	20-1/4	26	4	*	785
252008	20AF	20	36 × 36	22-3/8	28-1/4	4	*	865
262208	22AF	22	39 × 39	24-3/8	30-5/8	4	*	997
262408	24AF	24	41 × 41	26-3/8	32-7/8	4	*	1086



\*Product shipped individually.

## FLASHINGS — FLAT — FF

ITEM #	MODEL #	SIZE (")	A (")	B (")	C (")	D (")	CTN/QTY	WT/100
231009	10FF	10	22 × 22	12-1/4	14	10	*	481
231209	12FF	12	24 × 24	14-1/4	16	10	*	551
241409	14FF	14	26 × 26	16-1/4	18	10	*	627
241609	16FF	16	28 × 28	18-1/4	20	10	*	699
251809	18FF	18	30 × 30	20-1/4	22	10	*	772
252009	20FF	20	32 × 32	22-1/4	24	10	*	847
262209	22FF	22	34 × 34	24-1/4	26	10	*	921
262409	24FF	24	36 × 36	26-1/4	28	10	*	998
272609	26FF	26	38 × 38	28-3/8	30	10	*	1205
272809	28FF	28	40 × 40	30-3/8	32	10	*	1293
283009	30FF	30	42 × 42	32-3/8	34	10	*	1383

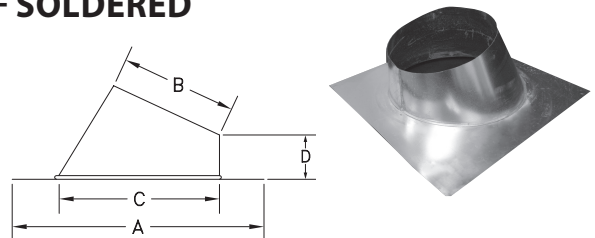


\*Product shipped individually.

**NOTE:** All seams are soldered.

## FLASHINGS — ADJUSTABLE — 1/12 - 7/12 — ARF — SOLDERED

ITEM #	MODEL #	A (")	B (")	C (")	D (")	CTN/QTY	WT/100
231069	10ARF	25 × 25	12-1/4	16-1/2	4	*	461
231269	12ARF	27 × 27	14-1/4	18-7/8	4	*	528
-	14ARF	30 × 30	16-1/4	21-1/8	4	*	635
-	16ARF	32 × 32	18-1/4	23-1/2	4	*	707
-	18ARF	34 × 34	20-1/4	26	4	*	785
-	20ARF	36 × 36	22-3/8	28-1/4	4	*	865
-	22ARF	39 × 39	24-3/8	30-5/8	4	*	997
-	24ARF	41 × 41	26-3/8	32-7/8	4	*	1086



\*Product shipped individually.

We have custom capabilities to manufacture any sizes you may require. Contact factory for special sizes and configurations not listed.

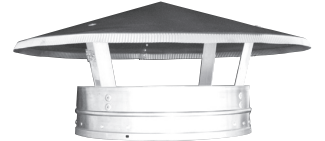
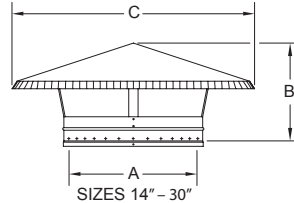
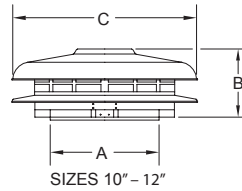
- E.&O.E. - Subject to Change Without Notice - May Not Be Available At All Locations -



# MODEL EV TYPE B GAS VENT 10" - 30"

## RAIN CAPS — RC

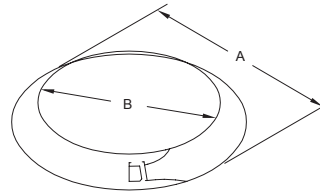
ITEM #	MODEL #	A (")	B (")	C (")	CTN/QTY	WT/100
231006	10RC	10	8-5/8	20	*	300
231206	12RC	12	8-5/8	22	*	340
241406	14RC	14	11-1/8	27-1/2	*	349
241606	16RC	16	11-3/8	29-1/2	*	389
251806	18RC	18	13-1/4	34-1/2	*	494
252006	20RC	20	13-1/2	36-1/2	*	578
262206	22RC	22	16	41-1/2	*	733
262406	24RC	24	16-3/8	43-1/4	*	790
272606	26RC	26	17-7/8	48-1/4	*	1045
272806	28RC	28	18-1/4	50-1/4	*	1113
283006	30RC	30	18-1/2	52-1/4	*	1183



\*Product shipped individually.

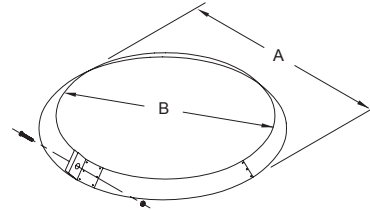
## STORM COLLARS — SC 10" - 24"

ITEM #	MODEL #	SIZE (")	A (")	B (")	PCS/BNDL	WT/100
231007	10SC	10	14-3/4	12	10	55
231207	12SC	12	16-3/4	14	10	62
241407	14SC	14	20-1/4	16	10	114
241607	16SC	16	22-1/4	18	10	125
251807	18SC	18	24-1/4	20	10	137
252007	20SC	20	26-1/4	22	10	148
262207	22SC	22	28-1/4	24	10	159
262407	24SC	24	30-1/4	26	10	171



## STORM COLLARS — SC 26" - 30"

ITEM #	MODEL #	SIZE (")	A (")	B (")	PCS/BNDL	WT/100
272607	26SC	26	32-1/4	28	*	253
272807	28SC	28	34-1/4	30	*	268
283007	30SC	30	36-1/4	32	*	283

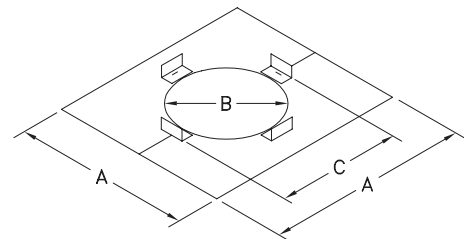
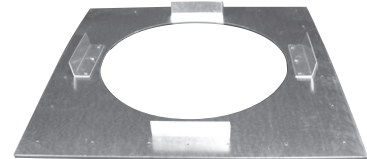


\*Product shipped individually.

**NOTE:** Includes hardware for installation.

## FIRESTOP SPACERS — FS

ITEM #	MODEL #	SIZE (")	A (")	B (")	C (")	CTN/QTY	WT/100
231010	10FS	10	18	12-1/8	14-1/8 x 14-1/8	*	154
231210	12FS	12	20	14-1/8	16-1/8 x 16-1/8	*	176
241410	14FS	14	22	16-1/8	18-1/8 x 18-1/8	*	199
241610	16FS	16	24	18-1/8	20-1/8 x 20-1/8	*	223
251810	18FS	18	26	20-1/8	22-1/8 x 22-1/8	*	248
252010	20FS	20	28	22-1/8	24-1/8 x 24-1/8	*	275
262210	22FS	22	30	24-1/8	26-1/8 x 26-1/8	*	302
262410	24FS	24	32	26-1/8	28-1/8 x 28-1/8	*	330
272610	26FS	26	34	28-1/8	30-1/8 x 30-1/8	*	392
272810	28FS	28	36	30-1/8	32-1/8 x 32-1/8	*	422
283010	30FS	30	38	32-1/8	34-1/8 x 34-1/8	*	454



\*Product shipped individually.

**NOTE:** Firestop Spacers are required above and below each floor and ceiling level penetrated by the vent.

We have custom capabilities to manufacture any sizes you may require. Contact factory for special sizes and configurations not listed.

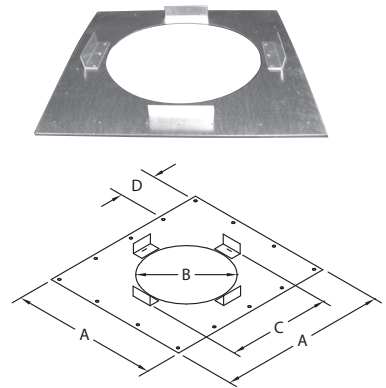
- E.&O.E. - Subject to Change Without Notice - May Not Be Available At All Locations -



# MODEL EV TYPE B GAS VENT 10" - 30"

## SUPPORT PLATES — SP

ITEM #	MODEL #	SIZE (")	A (")	B (")	C (")	D (")	CTN/QTY	WT/100
231017	10SP	10	18	12-1/4	14-1/4 × 14-1/4	4	14	250
231217	12SP	12	20	14-1/4	16-1/4 × 16-1/4	4-1/2	14	302
241417	14SP	14	22	16-1/4	18-1/4 × 18-1/4	5	*	356
241617	16SP	16	24	18-1/4	20-1/4 × 20-1/4	4-1/2	*	412
251817	18SP	18	26	20-1/4	22-1/4 × 22-1/4	5	*	469
252017	20SP	20	28	22-1/4	24-1/4 × 24-1/4	4-1/2	*	527
262217	22SP	22	30	24-1/4	26-1/4 × 26-1/4	5	*	588
262417	24SP	24	32	26-1/4	28-1/4 × 28-1/4	5	*	650

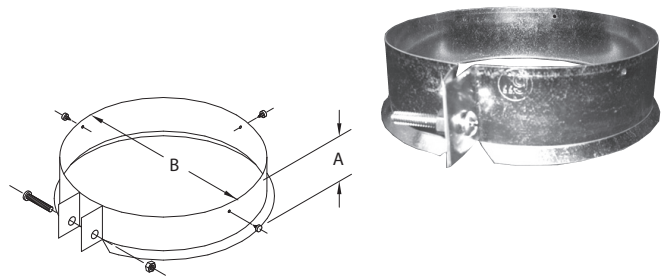


\*Product shipped individually.

**NOTE:** Support Plate and Support Ring required for every 30 feet of vent height.

## SUPPORT RINGS — SR

ITEM #	MODEL #	SIZE (")	A (")	B (")	CTN/QTY	WT/100
231018	10SR	10	2	12	14	66
231218	12SR	12	2	14	14	76
241418	14SR	14	2-1/4	16	5/Bndl	104
241618	16SR	16	2-1/4	18	5/Bndl	115
251818	18SR	18	2-1/4	20	5/Bndl	127
252018	20SR	20	2-1/4	22	5/Bndl	138
262218	22SR	22	2-1/4	24	5/Bndl	149
262418	24SR	24	2-1/4	26	5/Bndl	160



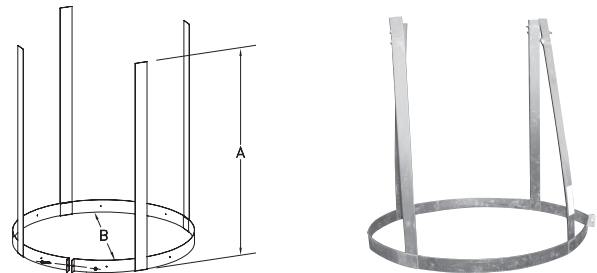
**NOTE:** Support Plate and Support Ring required for every 30 feet of vent height. Includes Sheet Metal Screws and Assembly Bolt for installation.

## SUPPORT ASSEMBLY — SA

ITEM #	MODEL #	SIZE (")	A (")	B (")	CTN/QTY	WT/100
272616	26SA	26	34	28	*	440
272816	28SA	28	34	30	*	452
283016	30SA	30	34	32	*	463

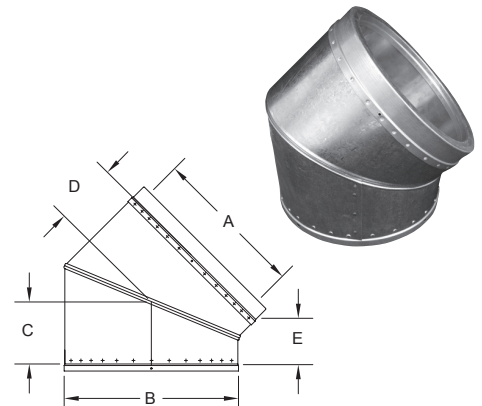
\*Product shipped individually.

**NOTE:** Support Assembly required for every 30 feet of vent height. Includes Sheet Metal Screws and Assembly Bolt for installation.



## ELBOWS — 45 DEGREE — 45EL

ITEM #	MODEL #	A (")	B (")	C (")	D (")	E (")	CTN/QTY	WT/100
231013	1045EL	10	12	5	3-7/8	3-1/2	*	447
231213	1245EL	12	14	5-3/8	4-1/4	3-1/2	*	552
241413	1445EL	14	16	5-7/8	4-5/8	3-1/2	*	667
241613	1645EL	16	18	6-1/4	5-1/8	3-1/2	*	795
251813	1845EL	18	20	6-5/8	5-1/2	3-1/2	*	925
252013	2045EL	20	22	7	5-7/8	3-1/2	*	1063
262213	2245EL	22	24	7-1/2	6-3/8	3-1/2	*	1219
262413	2445EL	24	26	7-7/8	6-3/4	3-1/2	*	1372
272613	2645EL	26	28	8-3/8	7-1/8	3-1/2	*	1971
272813	2845EL	28	30	8-3/4	7-5/8	3-1/2	*	2199
283013	3045EL	30	32	9-1/8	8	3-1/2	*	2446



\*Product shipped individually.

We have custom capabilities to manufacture any sizes you may require. Contact factory for special sizes and configurations not listed.

-E.&O.E. - Subject to Change Without Notice - May Not Be Available At All Locations -





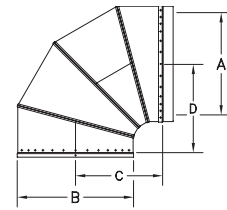
# MODEL EV TYPE B GAS VENT 10" - 30"

## ELBOWS — 90 DEGREE — 90EL

ITEM #	MODEL #	A (")	B (")	C (")	D (")	CTN/QTY	WT/100
231014	1090EL	10	12	10-3/4	11-1/4	*	736
231214	1290EL	12	14	11-1/4	11-3/4	*	898

\*Product shipped individually.

**NOTE:** For sizes 14" to 24" use two 45 degree elbows to make 90 degrees.

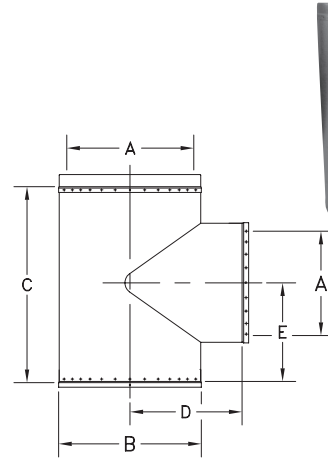


## TEES — DOUBLE WALL — DWT

ITEM #	MODEL #	A (")	B (")	C (")	D (")	E (")	CTN/QTY	WT/100
231012	10DWT	10	12	18	9	9	*	697
231212	12DWT	12	14	20	10	10	*	869
241412	14DWT	14	16	22	11	11	*	1057
241612	16DWT	16	18	24	12	12	*	1267
251812	18DWT	18	20	26	13	13	*	1486
252012	20DWT	20	22	28	14	14	*	1697
262212	22DWT	22	24	30	15	15	*	1951
262412	24DWT	24	26	32	16	16	*	2203
272612	26DWT	26	28	34	17	17	*	3475
272812	28DWT	28	30	36	18	18	*	3886
283012	30DWT	30	32	38	19	19	*	4326

\*Product shipped individually.

**NOTE:** Dimension 'A' may vary according to customer requirements. Dimension 'C' varies with Dimension 'A'. Factory installed Tee Cap attached to bottom of Tee.

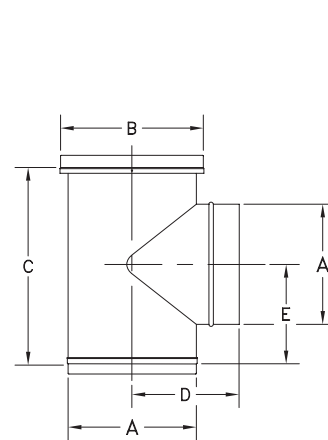


## TEES — SINGLE WALL — SWT

ITEM #	MODEL #	A (")	B (")	C (")	D (")	E (")	CTN/QTY	WT/100
231011	10SWT	10	12	16	8	8	*	656
231211	12SWT	12	14	18	9	9	*	852
241411	14SWT	14	16	20	10	10	*	1070
241611	16SWT	16	18	22	11	11	*	1729
251811	18SWT	18	20	24	12	12	*	2066
252011	20SWT	20	22	26	13	13	*	2427
262211	22SWT	22	24	28	14	14	*	2826
262411	24SWT	24	26	30	15	15	*	3256
-	26SWT	26	28	32	16	16	-	-
-	28SWT	28	30	34	17	17	-	-
-	30SWT	30	32	36	18	18	-	-

\*Product shipped individually.

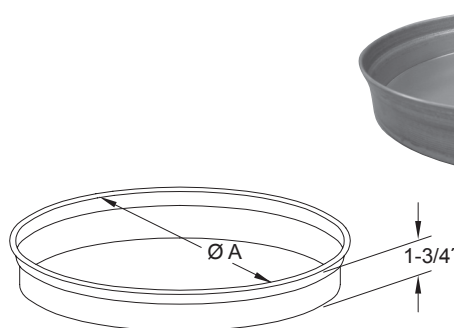
**NOTE:** Dimension 'A' may vary according to customer requirements. Dimension 'C' varies with Dimension 'A'. Factory installed Tee Cap attached to bottom of Tee.



## SPUN TEE CAPS — TC

ITEM #	MODEL #	A (")	CTN/QTY	WT/100
571026	10TC	10	20	101
571226	12TC	12	10	140
571426	14TC	14	10	184
571626	16TC	16	10	226
571826	18TC	18	10	270
572026	20TC	20	*	313
572226	22TC	22	*	370
572426	24TC	24	*	435
572626	26TC	26	*	490
572826	28TC	28	*	580
573026	30TC	30	*	655

\*Product shipped individually.



We have custom capabilities to manufacture any sizes you may require. Contact factory for special sizes and configurations not listed.

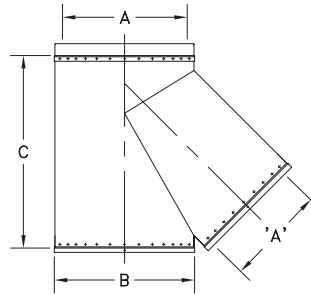
- E.&O.E. - Subject to Change Without Notice - May Not Be Available At All Locations -



# MODEL EV TYPE B GAS VENT 10" - 30"

## DOUBLE WALL WYES — DWW

ITEM #	MODEL #	A (")	B (")	C (")	CTN/QTY	WT/100
231031	10DWW	10	12	23	*	958
-	12DWW	12	14	25-7/8	*	1228
-	14DWW	14	16	28-5/8	*	1529
-	16DWW	16	18	31-1/2	*	1862
-	18DWW	18	20	34-3/8	*	2227
-	20DWW	20	22	37-1/8	*	2619
-	22DWW	22	24	40	*	3043
-	24DWW	24	26	42-3/4	*	3498
-	26DWW	26	28	45-5/8	*	5413
-	28DWW	28	30	48-1/2	*	6129
-	30DWW	30	32	51-1/4	*	6902

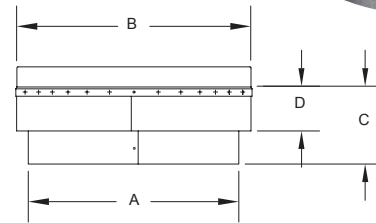


\*Product shipped individually.

**NOTE:** Dimension 'A' may vary according to customer requirements.  
Dimension C is installed length and varies with Dimension 'A'.  
Tee Cap not included.

## DRAFT HOOD CONNECTORS — DHC

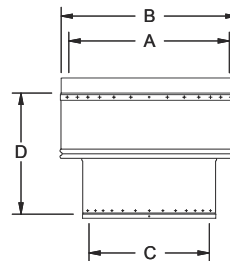
ITEM #	MODEL #	A (")	B (")	C (")	D (")	CTN/QTY	WT/100
231015	10DHC	10	12	3-3/4	2-1/2	*	184
231215	12DHC	12	14	3-3/4	2-1/2	*	216
241415	14DHC	14	16	3-3/4	2-1/2	*	248
241615	16DHC	16	18	3-3/4	2-1/2	*	281
251815	18DHC	18	20	3-3/4	2-1/2	*	314
252015	20DHC	20	22	3-3/4	2-1/2	*	347
262215	22DHC	22	24	3-3/4	2-1/2	*	380
262415	24DHC	24	26	3-3/4	2-1/2	*	412
272615	26DHC	26	28	3-3/4	2-1/2	*	446
272815	28DHC	28	30	3-3/4	2-1/2	*	478
283015	30DHC	30	32	3-3/4	2-1/2	*	511



\*Product shipped individually.

## INCREASERS — DOUBLE WALL — INC

ITEM #	MODEL #	A (")	B (")	C (")	D (")	CTN/QTY	WT/100
231058	10INC	10	12	8	4-5/8	*	422
-	12INC	12	14	10	4-5/8	*	490
-	14INC	14	16	12	4-5/8	*	558
-	16INC	16	18	14	4-5/8	*	627
-	18INC	18	20	16	4-5/8	*	695
-	20INC	20	22	18	4-5/8	*	762
-	22INC	22	24	20	4-5/8	*	830
-	24INC	24	26	22	4-5/8	*	898
-	26INC	26	28	24	4-5/8	*	966
-	28INC	28	30	26	4-5/8	*	1034
-	30INC	-	-	-	-	-	-



\*Product shipped individually.

**NOTE:** Dimensions C and D may vary according to customer requirements.

We have custom capabilities to manufacture any sizes you may require. Contact factory for special sizes and configurations not listed.

- E.&O.E. - Subject to Change Without Notice - May Not Be Available At All Locations -



# MODEL EV TYPE B GAS VENT 10" – 30"

## GAS-VENT, Type B LIMITED LIFETIME WARRANTY

This limited LIFETIME warranty is granted by ECCO Manufacturing™ a division of ECCO Heating Products Ltd. 19860 Fraser Highway Langley B.C. Canada V3A 4C9 (Hereinafter referred to as "Warrantor")

### **LIMITED WARRANTY:**

The Warrantor grants a warranty to the initial consumer that the **ECCO GAS VENT** will be free from defects in material and workmanship under normal use for the lifetime of the product. This warranty is not valid if the **ECCO GAS VENT** is not installed in accordance with the recommendations provided in the installation manual and with all the components provided by the manufacturer. This product must be used for the application for which it was designed and intended.

The Warrantor shall not be liable for damages due to normal wear of the **ECCO GAS VENT**, accidents, misuse, lack of reasonable and necessary maintenance, improper installation or unauthorized repairs, alterations or modifications of the product.

The Warrantor's liability with respect to defects shall be limited to the replacement of the **ECCO GAS VENT** chimney lengths considered defective by the Warrantor for the lifetime of the product. The initial consumer shall bear all other costs.

The Warrantor reserves the right to replace **ECCO GAS VENT** chimney lengths with an equivalent product and the replacement must be carried out in accordance with the Warrantor's recommendations.

The warranty is limited to the replacement of defective lengths and does not include any damages resulting from any defect in the product nor does it include expenses sustained in connection with the product, including damages to property.

IN NO EVENT WILL WARRANTOR BE LIABLE TO YOU OR ANY OTHER PERSON FOR ANY DAMAGES, INCLUDING ANY INCIDENTAL OR CONSEQUENTIAL DAMAGES. SOME STATES DO NOT ALLOW THE ABOVE LIMITATION OR EXCLUSION OF INCIDENTAL OR CONSEQUENTIAL DAMAGES, SO THE ABOVE LIMITATIONS OR EXCLUSIONS MAY NOT APPLY TO YOU.

**The warranty is only valid for an initial consumer who buys ECCO GAS VENT lengths and may not be assigned.**

EXCEPT AS EXPRESSLY SET FORTH ABOVE, NO OTHER WARRANTIES, EITHER EXPRESSED OR IMPLIED, WRITTEN OR ORAL, ARE MADE INCLUDING BUT NOT LIMITED TO THE IMPLIED WARRANTIES OF MERCHANTABILITY AND FITNESS FOR A PARTICULAR PURPOSE, AND THE WARRANTOR EXPRESSLY DISCLAIMS ALL WARRANTIES NOT STATED HEREIN. SOME STATES DO NOT ALLOW THE EXCLUSION OF IMPLIED WARRANTIES, SO THE ABOVE EXCLUSION MAY NOT APPLY TO YOU. THIS WARRANTY GIVES YOU SPECIFIC LEGAL RIGHTS AND YOU MAY ALSO HAVE OTHER RIGHTS THAT VARY FROM STATE TO STATE.

### **OBTAINING REPLACEMENT:**

To obtain a replacement, contact the Warrantor or the dealer. **Proof of purchase is required.** If defective lengths have to be returned, it will be at the consumer's expense. The Warrantor will replace any lengths which upon examination by Warrantor or its designated representative, prove to be defective.

Rev: 1

03-2010

– E.&O.E. – Subject to Change Without Notice – May Not Be Available At All Locations –



[www.eccomfg.com](http://www.eccomfg.com)

**Langley Distribution**

19860 Fraser Highway  
Langley, British Columbia  
Canada V3A 4C9

Phone: 604-530-4151  
Toll Free: 1-877-955-4805  
Fax: 604-533-9335

**Calgary Distribution**

21 – 11150 38th Street, S.E.  
Calgary, Alberta  
Canada T2C 2Z6

Phone: 403-720-0895  
Toll Free: 1-877-955-4815  
Fax: 403-720-0897

**Kent Distribution**

20001 87th Ave. S, Bldg E  
Kent, Washington  
USA 98031

Phone: 253-872-3721  
Toll Free: 1-800-207-6859  
Fax: 253-872-3724