

# ECCO POLYPROPYLENE VENT™

## Single Wall Rigid / Flex Venting



ECCO™ is proud to be a member of:



**SMACNA**  
Sheet Metal and Air  
Conditioning Contractors'  
National Association  
[www.smacna.org](http://www.smacna.org)



**HRAI**  
Heating, Refrigeration and  
Air Conditioning  
Institute of Canada  
[www.hrai.ca](http://www.hrai.ca)



**HARDI**  
Heating, Air-conditioning  
& Refrigeration  
Distributors International  
[www.hardinet.org](http://www.hardinet.org)



**ADI**  
Air  
Distribution  
Institute  
[www.steelduct.org](http://www.steelduct.org)



**AD**  
Affiliated Distributors™  
[www.adhq.com](http://www.adhq.com)



**Canadian  
Manufacturers &  
Exporters**  
**CME**  
Canadian  
Manufacturers &  
Exporters  
[www.cme-mec.ca](http://www.cme-mec.ca)



**SPIDA**  
Spiral Duct  
Manufacturers  
Association  
[www.spida.org](http://www.spida.org)



# ECCO POLYPROPYLENE VENT™ SINGLE WALL RIGID / FLEX VENTING

## INDEX

<b>SINGLE WALL RIGID VENTING.....</b>	<b>3 – 17</b>	<b>SINGLE WALL RIGID VENTING (cont'd)</b>	
ADAPTER CLAMPS		PIPE LENGTHS.....	4
SINGLE WALL .....	13	PIPE LENGTHS — UV (BLACK) .....	4
CONCENTRIC.....	13	REDUCERS.....	9
ADJUSTABLE PIPE.....	7	REPLACEMENT RIGID GASKETS — EPDM .....	10
APPLIANCE ADAPTERS — STAINLESS STEEL .....	12	SINGLE WALL TWIN-PIPE TO CONCENTRIC ADAPTERS .....	12
APPLIANCE ADAPTERS — FEMALE PVC .....	12	SINGLE WALL VERTICAL TERMINATIONS.....	11
CASCADE EXTENSION KITS .....	14	SPACING BRACKETS — RIGID PIPE.....	10
CASCADE STARTER KITS .....	14	SUPPORT BRACKETS .....	7
CHIMNEY CAPS WITH PIPE LENGTH.....	9	SUPPORT ELBOWS WITH BRACKET .....	10
CONCENTRIC INCREASERS .....	13	TEES WITH CAP.....	8
CONCENTRIC TERMINATIONS		TEST PORTS.....	7
EXHAUST OFFSET FOR HORIZONTAL TERMINATIONS.....	15	TWIN PIPE WALL TERMINATION KITS .....	11
HORIZONTAL (WALL) TERMINATION GUARDS.....	16	WIRE SPRING GUARDS .....	10
HORIZONTAL (WALL) TERMINATIONS .....	15		
ROOF FLASHINGS		<b>FLEX VENTING .....</b>	<b>18 – 22</b>
ADJUSTABLE — 5/12 – 12/12 (25° – 45°).....	17	ADAPTERS	
FLAT .....	17	FEMALE — FLEX TO RIGID.....	20
FLAT/LOW PITCH ADJUSTABLE FLASHING —		MALE — RIGID TO FLEX.....	20
FLAT — 5/12 (0° – 25°) .....	17	B-VENT RETROFIT FLEX CAPS.....	19
VERTICAL (ROOF) TERMINATION EXTENSIONS .....	16	BIRD GUARDS.....	21
VERTICAL (ROOF) TERMINATIONS .....	16	CHIMNEY BENDS	
WALL PLATE FOR HORIZONTAL TERMINATIONS.....	15	CONCENTRIC TO FLEX.....	21
WALL PLATES .....	15	SINGLE PIPE TO FLEX .....	20
CONCENTRIC TO SINGLE WALL TWIN-PIPE ADAPTERS .....	11	TWIN PIPE TO FLEX.....	21
CONDENSATE DRAINS.....	8	COUPLERS .....	20
ELBOWS		FLEX PIPES.....	19
45°.....	6	FLEX PULLER TOOLS .....	22
45° — UV (BLACK) .....	6	FLEX RELINING KITS .....	19
87°.....	5	GASKET LUBRICANT .....	22
87° — INSPECTION.....	5	INTRODUCTION .....	18
87° — UV (BLACK).....	5	REPLACEMENT FLEX GASKETS — VITON .....	22
INCREASERS.....	8	SPACING BRACKETS — FLEX PIPE .....	21
INTRODUCTION .....	3		
LOCKING CLAMPS — GALVANIZED .....	6		
NON-RETURN VALVES.....	13		



# ECCO POLYPROPYLENE VENT™ SINGLE WALL RIGID / FLEX VENTING

## ECCO POLYPROPYLENE VENT™ SINGLE WALL RIGID VENTING

### INTRODUCTION

#### Specifications

- Specially developed fire retardant polypropylene
- Resistant up to 248°F (120°C)
- Operates in negative and positive pressure modes
- 2" (60 mm) and 3" (80 mm) diameters available in white
- 4" (110 mm), 5" (125 mm), 6" (160 mm), and 8" (200 mm) available in grey
- System approval 20" of water column or 5000 Pa (0.725 psi)

#### Advantages

- Complete product line in polypropylene
- Long lasting, lightweight, and easy to install
- Resistant to aggressive condensed water, reducing contaminant pollution of the boiler

#### Safety

To ensure installation is and remains completely sealed tight, a locking clamp must be used at all connections. For correct installation of the clamp, the installation instructions should be followed. Only if these instructions are followed can a safe and gas tight installation be guaranteed. Use ECCO Polypropylene Vent™ lubricant exclusively for installing ECCO Polypropylene Vent™ to ensure a reliable and safe connection.

#### Environment

- Less CO<sub>2</sub> is produced in polypropylene flue gas systems compared to traditional metal flue gas systems.
- Completely recyclable

#### Installation

- Certified to ULC-S636 standard for Class IIC rating (exhaust temperatures up to 230°F (110°C)).
- Certified diameters are 2" (60 mm), 3" (80 mm), and 4" (110 mm) residential; 5" (125 mm), 6" (160 mm), and 8" (200 mm) commercial.
- ECCO Polypropylene Vent™ is a vent system for type BH gas venting, for use with ANSI Category II and IV gas burning appliances (condensing boilers) with a maximum flue gas temperature of 230°F (110°C).
- Sealings are made of EPDM
- Appliances can be operated immediately upon the completion of ECCO Polypropylene Vent™ installation.
- Vent pipe is rated to a maximum of 20" of water column, or 5000 Pa (0.725psi)
- Maximum flue gas temperature is 230°F (110°C) for ULC-S636 compliant installation – guaranteed up to a maximum flue gas temperature of 248°F (120°C).
- Minimum clearance to combustibles is 0"
- Unless approved by the appliance manufacturer, only one appliance may be attached to the vent system.
- Do not use ECCO Polypropylene Vent™ with any other manufacturer's vent components – it must be used exclusively throughout the entire vent system.
- Installation must conform to all relevant local, State, Provincial or National codes.



# ECCO POLYPROPYLENE VENT™ SINGLE WALL RIGID / FLEX VENTING

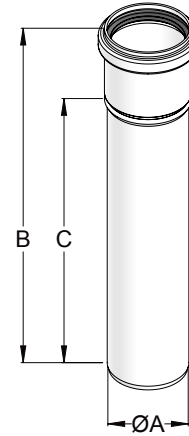
## PIPE LENGTHS

Rigid Polypropylene pipe length with integrated gasket. The male end of the pipe can be cut to shorten length if required.

### 2" and 3" Diameter

Pipes are non-UV resistant white polypropylene.

ITEM #	MODEL #	A" (mm)	B (")	C (")	CTN/QTY
190200	272PPP	2 (60)	72	69.75	6
190203	236PPP	2 (60)	36	33.75	6
190204	224PPP	2 (60)	24	21.75	6
190206	212PPP	2 (60)	12	9.75	12
190300	372PPP	3 (80)	72	69.75	6
190303	336PPP	3 (80)	36	33.75	4
190304	324PPP	3 (80)	24	21.75	8
190306	312PPP	3 (80)	12	9.75	12

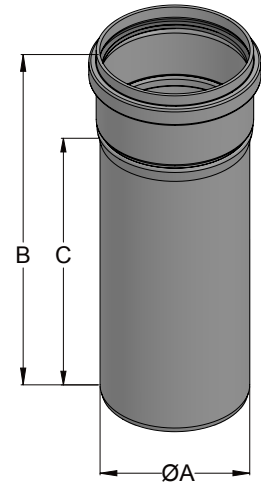


2" and 3" dia.

### 4" – 8" Diameter

Pipes are UV resistant grey polypropylene.

ITEM #	MODEL #	A" (mm)	B (")	C (")	CTN/QTY
190400	472PPP	4 (110)	72	69.5	4
190403	436PPP	4 (110)	36	33.5	4
190404	424PPP	4 (110)	24	21.5	4
190406	412PPP	4 (110)	12	9.5	6
190500	572PPP	5 (125)	77	69.5	6
190503	536PPP	5 (125)	36	33.5	4
190504	524PPP	5 (125)	24	21.5	6
190600	672PPP	6 (160)	72	69.5	6
190603	636PPP	6 (160)	36	33.5	4
190604	624PPP	6 (160)	24	21.5	6
190800	872PPP	8 (200)	72	69.5	4
190803	836PPP	8 (200)	36	33.5	5
190804	824PPP	8 (200)	24	21.5	4



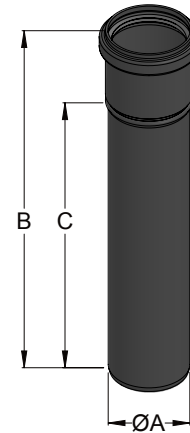
4" – 8" dia.

## PIPE LENGTHS — UV (BLACK)

UV resistant Rigid Polypropylene pipe length with integrated gasket. The male end of the pipe can be cut to shorten length if required.

UV resistant pipe must always be used when the venting system could be subject to UV exposure.

ITEM #	MODEL #	A" (mm)	B (")	C (")	CTN/QTY
190205	224PPPB	2 (60)	24	22.75	6
190207	212PPPB	2 (60)	12	9.75	12
190305	324PPPB	3 (80)	24	22.75	8
190307	312PPPB	3 (80)	12	9.75	12



\*Contact your factory representative for further dimensional information.

– E.&O.E. – Subject to Change Without Notice – May Not Be Available At All Locations –



# ECCO POLYPROPYLENE VENT™ SINGLE WALL RIGID / FLEX VENTING

## ELBOWS — 87°

Polypropylene elbows with integrated gasket. Used to create offsets or changes in direction of the venting system.

### 2" and 3" Diameter

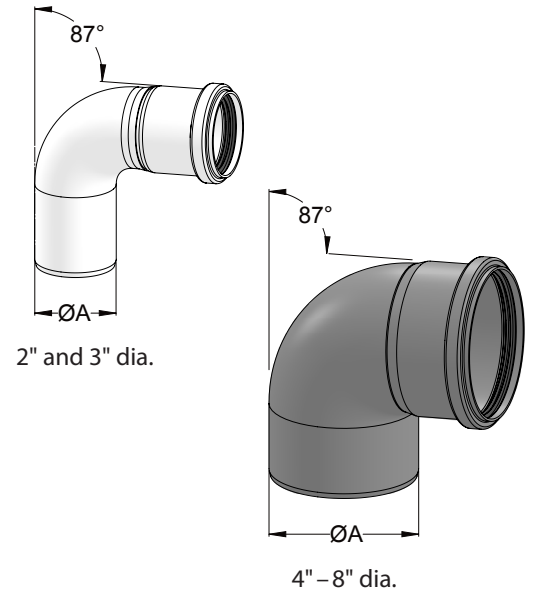
Elbows are non-UV resistant white polypropylene.

ITEM #	MODEL #	A" (mm)	CTN/QTY
190211	287PEL	2 (60)	12
190311	387PEL	3 (80)	12

### 4" – 8" Diameter

Elbows are UV resistant grey polypropylene.

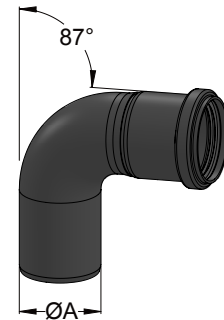
ITEM #	MODEL #	A" (mm)	CTN/QTY
190411	487PEL	4 (110)	6
190511	587PEL	5 (125)	4
190611	687PEL	6 (160)	4
190811	887PEL	8 (200)	4



## ELBOWS — 87° — UV (BLACK)

UV Resistant Polypropylene elbows with integrated gasket. Used to create offsets or changes in direction of the venting system. UV resistant elbows must always be used when the venting system could be subject to UV exposure.

ITEM #	MODEL #	A" (mm)	CTN/QTY
190212	287PELB	2 (60)	12
190312	387PELB	3 (80)	12



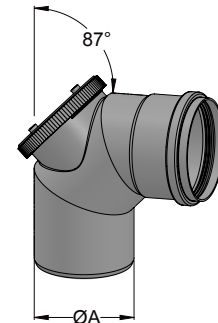
## ELBOWS — 87° — INSPECTION

Used to change direction or venting system, and can also be used by a technician as an inspection port.

4" inspection elbows are UV resistant grey polypropylene.

ITEM #	MODEL #	A" (mm)	CTN/QTY
190431	487PIEL	4 (110)	*

\*Product shipped individually.



\*Contact your factory representative for further dimensional information.

– E.&O.E. – Subject to Change Without Notice – May Not Be Available At All Locations –



# ECCO POLYPROPYLENE VENT™ SINGLE WALL RIGID / FLEX VENTING

## ELBOWS — 45°

Polypropylene elbows with integrated gasket. Used to create offsets or changes in direction of the venting system.

### 2" and 3" Diameter

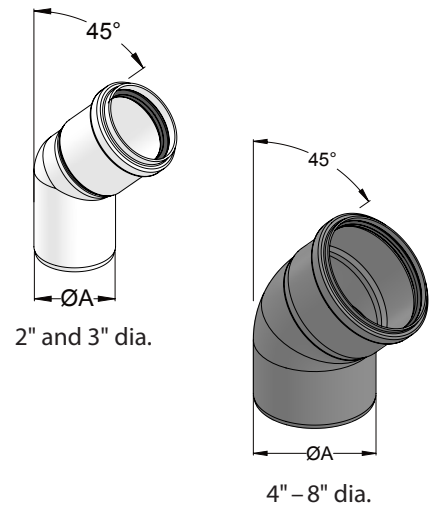
Elbows are non-UV resistant white polypropylene.

ITEM #	MODEL #	A" (mm)	CTN/QTY
190213	245PEL	2 (60)	12
190313	345PEL	3 (80)	12

### 4" – 8" Diameter

Elbows are UV resistant grey polypropylene.

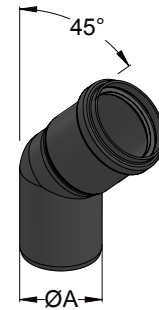
ITEM #	MODEL #	A" (mm)	CTN/QTY
190413	445PEL	4 (110)	6
190513	545PEL	5 (125)	4
190613	645PEL	6 (160)	4
190813	845PEL	8 (200)	4



## ELBOWS — 45° — UV (BLACK)

UV Resistant Polypropylene elbows with integrated gasket. Used to create offsets or changes in direction of the venting system. UV resistant elbows must always be used when the venting system could be subject to UV exposure.

ITEM #	MODEL #	A" (mm)	CTN/QTY
190214	245PELB	2 (60)	12
190314	345PELB	3 (80)	12



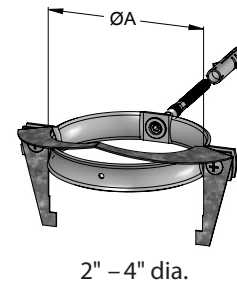
## LOCKING CLAMPS — GALVANIZED

This innovative clamp/bracket combo not only secures joints together, but also doubles as a support bracket. The locking clamp also allows for up to 3/8" (10 mm) of thermal expansion at each joint, which is required for safe installation of polypropylene venting systems.

A locking clamp is required at each joint to secure connections between pipes and fittings.

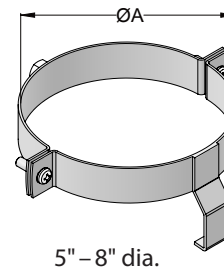
### 2" – 4" Diameter

ITEM #	MODEL #	A" (")	CTN/QTY
190220	2PPLC	2	24
190320	3PPLC	3	24
190420	4PPLC	4	12



### 5" – 8" Diameter

ITEM #	MODEL #	A" (")	CTN/QTY
190520	5PPLC	5	12
190620	6PPLC	6	6
190820	8PPLC	8	6



\*Contact your factory representative for further dimensional information.

– E.&O.E. – Subject to Change Without Notice – May Not Be Available At All Locations –



# ECCO POLYPROPYLENE VENT™ SINGLE WALL RIGID / FLEX VENTING

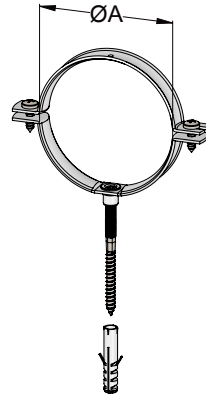
## SUPPORT BRACKETS

Used to support single wall venting systems in vertical or horizontal configurations.

### Maximum Support spacing:

Vertical: 78"

Horizontal:  $\varnothing 2" = 19" / \varnothing 3" - \varnothing 8" = 39"$



ITEM #	MODEL #	A" (mm)	APPLICABLE VENT DIAMETERS (")		CTN/QTY
			SINGLE WALL	CONCENTRIC	
190221	2PPB	2.38 (60)	2	–	12
190291	24PCB	3.94 (100)	–	2/4	12
190321	3PPB	3.15 (80)	3	–	12
190421	4PPB	4.33 (110)	4	–	12
190521	5PPB	4.90 (125)	5	3/5	12
190621	6PPB	6.30 (160)	6	4/6	6
190821	8PPB	7.88 (200)	8	–	6

## ADJUSTABLE PIPE

Used to complete an installation when a standard length can't be used. An extended female socket depth allows for a variable installed length.

### 2" and 3" Diameter

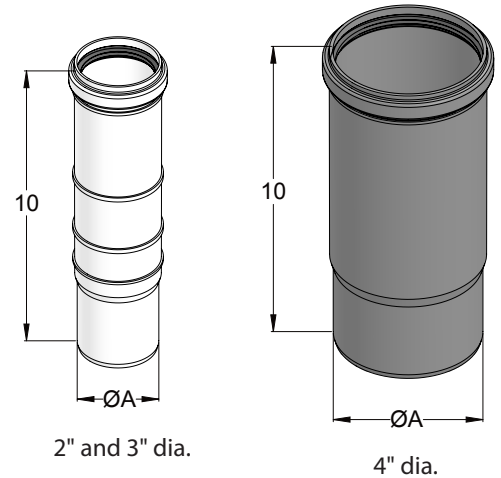
Adjustable pipes are non-UV resistant white polypropylene.

ITEM #	MODEL #	A" (mm)	CTN/QTY
190222	2PPADJ	2 (60)	6
190322	3PPADJ	3 (80)	6

### 4" Diameter

Adjustable pipes are UV resistant grey polypropylene.

ITEM #	MODEL #	A" (mm)	CTN/QTY
190422	4PPADJ	4 (110)	6



## TEST PORTS

Installed directly on to the appliance flue connection. Allows for a technician to measure flue gases, and monitor appliance performance.

### 2" and 3" Diameter

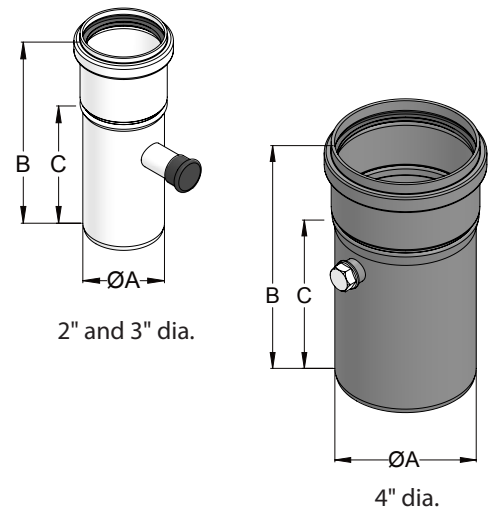
Test ports are non-UV resistant white polypropylene.

ITEM #	MODEL #	A" (mm)	B (")	C (")	CTN/QTY
190223	2PPTP	2 (60)	7	4.75	6
190323	3PPTP	3 (80)	7	4.75	6

### 4" Diameter

Test ports are UV resistant grey polypropylene.

ITEM #	MODEL #	A" (mm)	B (")	C (")	CTN/QTY
190423	4PPTP	4 (110)	8.5	6	4



\*Contact your factory representative for further dimensional information.

– E.&O.E. – Subject to Change Without Notice – May Not Be Available At All Locations –



# ECCO POLYPROPYLENE VENT™ SINGLE WALL RIGID / FLEX VENTING

## CONDENSATE DRAINS

Used to drain condensate from the venting system.

### 2" and 3" Diameter

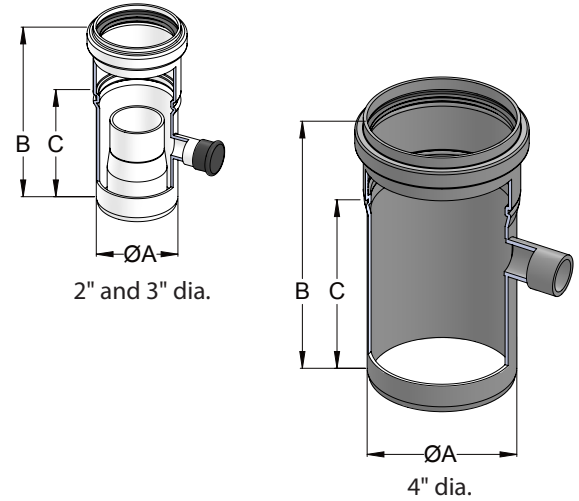
Condensate drains are non-UV resistant white polypropylene, and may be installed vertically or horizontally.

ITEM #	MODEL #	A" (mm)	B" (")	C" (")	CTN/QTY
190224	2PPCD	2 (60)	6	4.75	6
190324	3PPCD	3 (80)	6	4.75	6

### 4" Diameter

Condensate drains are UV resistant grey polypropylene, and may only be installed horizontally.

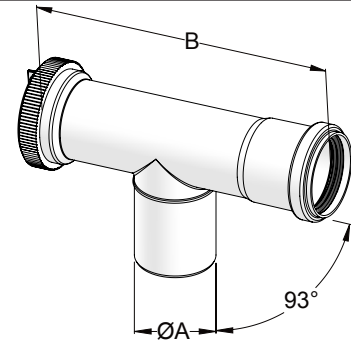
ITEM #	MODEL #	A" (mm)	B" (")	C" (")	CTN/QTY
190424	4PPCD	4 (110)	8.5	6	6



## TEES WITH CAP

Used to change direction or venting system, and can also be used by a technician as an inspection port.

ITEM #	MODEL #	A" (mm)	B" (")	CTN/QTY
190225	2PPT	2 (60)	9.5	6
190325	3PPT	3 (80)	9.5	6



## INCREASERS

Used to increase vent system diameter. See appliance installation instructions.

### 2" – 3" and 3" – 4"

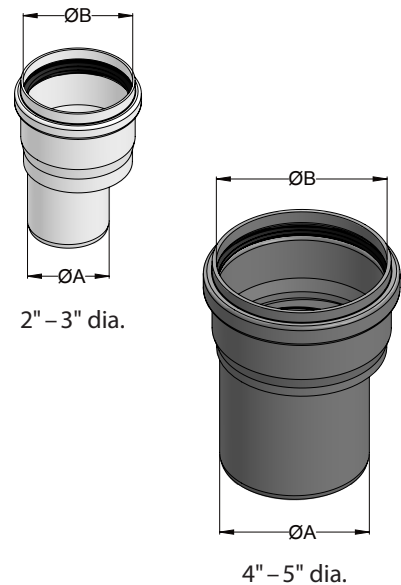
Increasers are made of non-UV resistant polypropylene.

ITEM #	MODEL #	A" (mm)	B" (mm)	CTN/QTY
190226	203PINC	2 (60)	3 (80)	6
190326	304PINC	3 (80)	4 (110)	6

### 4" – 5", 5" – 6", and 6" – 8"

Increasers are made from UV resistant grey polypropylene.

ITEM #	MODEL #	A" (mm)	B" (mm)	CTN/QTY
190426	405PINC	4 (110)	5 (125)	4
190526	506PINC	5 (125)	6 (160)	1
190626	608PINC	6 (160)	8 (200)	1



\*Contact your factory representative for further dimensional information.

– E.&O.E. – Subject to Change Without Notice – May Not Be Available At All Locations –





# ECCO POLYPROPYLENE VENT™ SINGLE WALL RIGID / FLEX VENTING

## REDUCERS

Used to reduce the vent system diameter. See appliance installation instructions.

### 3" – 2" and 4" – 3"

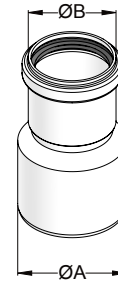
Reducers are made of non-UV resistant polypropylene.

ITEM #	MODEL #	A" (mm)	B" (mm)	CTN/QTY
190227	302PRED	3 (60)	2 (60)	6
190327	403PRED	4 (110)	3 (80)	6

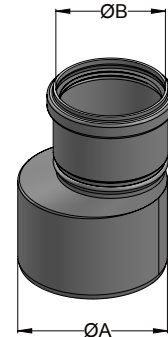
### 5" – 4" and 8" – 6"

Reducers are made from UV resistant grey polypropylene.

ITEM #	MODEL #	A" (mm)	B" (mm)	CTN/QTY
190427	504PRED	5 (125)	4 (110)	4
190627	806PRED	8 (200)	6 (160)	1



3" – 2" dia.



5" – 4" dia.

## CHIMNEY CAPS WITH PIPE LENGTH

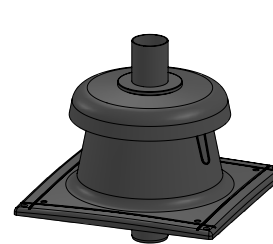
Used to terminate a polypropylene venting system installed into a masonry chimney. The cap is designed to suit direct vent configurations. The existing masonry flue can be utilized as a pipe for supply air.

### 2" – 4"

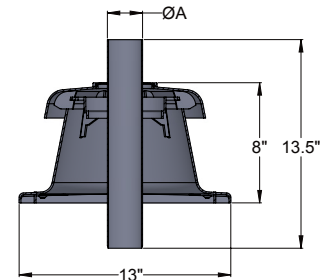
Chimney Caps are made of UV resistant black polypropylene. Comes with removable top.

ITEM #	MODEL #	A" (mm)	CTN/QTY
190229	2PPCC	2 (60)	*
190329	3PPCC	3 (80)	*
190429	4PPCC	4 (110)	*

\*Product shipped individually.



2" – 4" dia.

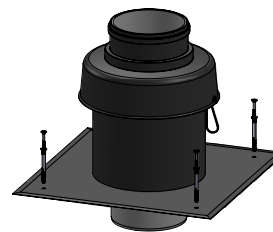


### 5" – 8"

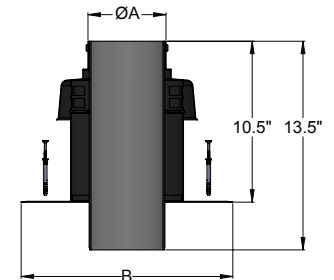
Chimney Caps are made of galvanized steel and are powder coated black. Comes with removable top.

ITEM #	MODEL #	A" (mm)	B" (")	CTN/QTY
190529	5PPCC	5 (125)	14	*
190629	6PPCC	6 (160)	14	*
190829	8PPCC	8 (200)	19	*

\*Product shipped individually.



5" – 8" dia.



\*Contact your factory representative for further dimensional information.

– E.&O.E. – Subject to Change Without Notice – May Not Be Available At All Locations –



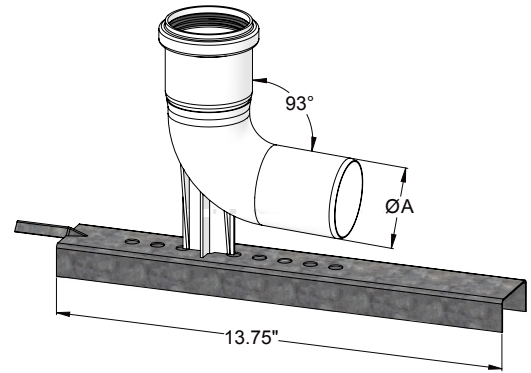
# ECCO POLYPROPYLENE VENT™ SINGLE WALL RIGID / FLEX VENTING

## SUPPORT ELBOWS WITH BRACKET

Used at base of chimney to support rigid or flex vent pipe used to reline an existing chimney or flue. Comes with an adjustable steel support bracket.

ITEM #	MODEL #	A" (mm)	CTN/QTY
190247	2PPELCS	2 (60)	*
190347	3PPELCS	3 (80)	*
190447	4PPELCS	4 (110)	*

\*Product shipped individually.

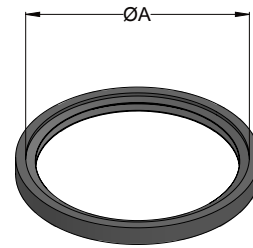


## REPLACEMENT RIGID GASKETS — EPDM

Used to replace a missing or damaged gasket for rigid pipe lengths and components.

ITEM #	MODEL #	PIPE SIZE" (mm)	CTN/QTY
190230	2PPGR	2 (60)	4
190330	3PPGR	3 (80)	12
190430	4PPGR	4 (110)	*

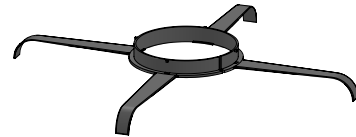
\*Product shipped individually.



## SPACING BRACKETS — RIGID PIPE

Used as a spacer to self-center the rigid pipe in a flue or chase.

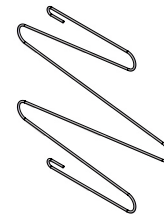
ITEM #	MODEL #	PIPE SIZE (")	CTN/QTY
190232	2PPS	2	2
190332	3PPS	3	2
190432	4PPS	4	2



## WIRE SPRING GUARDS

Replaces gasket at the female end of any rigid pipe or fitting, preventing the entry of birds or rodents. Made of stainless steel.

ITEM #	MODEL #	PIPE SIZE (")	CTN/QTY
190234	2PPWG	2	24
190334	3PPWG	3	24





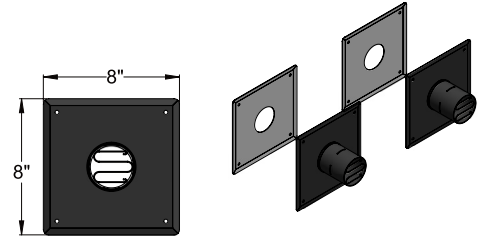
# ECCO POLYPROPYLENE VENT™ SINGLE WALL RIGID / FLEX VENTING

## TWIN PIPE WALL TERMINATION KITS

Used to terminate two single wall rigid pipes through an exterior wall. This kit does not include UV pipe lengths to provide the ability to use various lengths depending on the installation application. Additional UV pipe lengths and elbows can be added outside the building to extend or redirect intake and exhaust as needed. Separate plates allow for the termination kit to be configured to satisfy installation and code requirements.

### Kit Includes

- (2) Exterior Wall Plates (black)
- (2) Interior Wall Plates (white)
- (2) Wire Bird/Rodent Guards



ITEM #	MODEL #	PIPE SIZE (")	CTN/QTY
190233	2PPW/TK	2	*
190333	3PPW/TK	3	*

\*Product shipped individually.

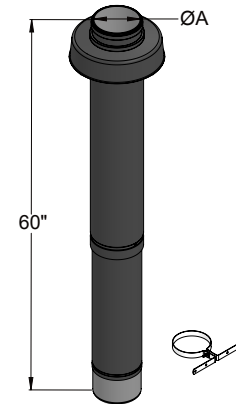
\*\*Black UV Polypropylene Pipe Lengths not included.

## SINGLE WALL VERTICAL TERMINATIONS

Used to terminate a single wall polypropylene venting system through the roof. Made of galvanized steel and powder coated black. Comes with installation bracket.

ITEM #	MODEL #	A" (mm)	CTN/QTY
190528	5PPVT	5 (125)	*
190628	6PPVT	6 (160)	*
190828	8PPVT	8 (200)	*

\*Product shipped individually.



## CONCENTRIC TO SINGLE WALL TWIN-PIPE ADAPTERS

Used to adapt concentric venting to a single wall twin-pipe configuration.

### 2" – 3"

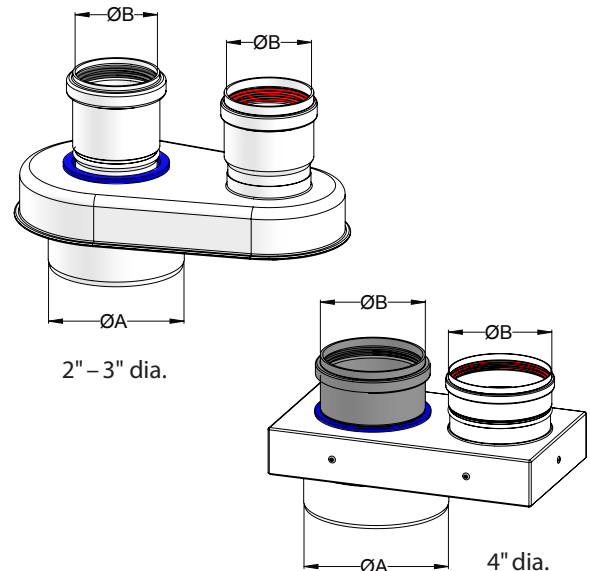
ITEM #	MODEL #	A" (mm)	B" (mm)	CTN/QTY
190910	24022AD	2/4 (60/100)	2 (60)	*
190920	35033AD	3/5 (80/125)	3 (80)	*

\*Product shipped individually.

### 4"

ITEM #	MODEL #	A" (mm)	B" (mm)	CTN/QTY
190930	46044AD	4/6 (110/160)	4 (110)	*

\*Product shipped individually.



– E.&O.E. – Subject to Change Without Notice – May Not Be Available At All Locations –



# ECCO POLYPROPYLENE VENT™ SINGLE WALL RIGID / FLEX VENTING

## SINGLE WALL TWIN-PIPE TO CONCENTRIC ADAPTERS

Used to adapt a single wall twin-pipe configuration to concentric venting.

### 2" – 3"

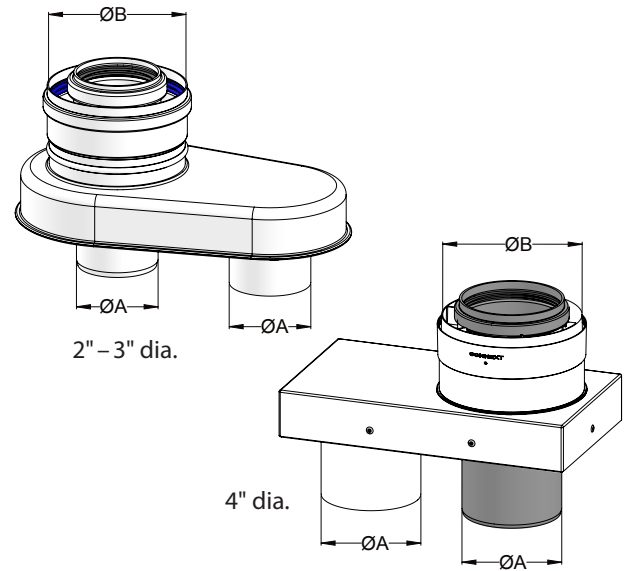
ITEM #	MODEL #	A" (mm)	B" (mm)	CTN/QTY
190911	22024AD	2 (60)	2/4 (60/100)	*
190921	33035AD	3 (80)	3/5 (80/125)	*

\*Product shipped individually.

### 4"

ITEM #	MODEL #	A" (mm)	B" (mm)	CTN/QTY
190931	44046AD	4 (110)	4/6 (110/160)	*

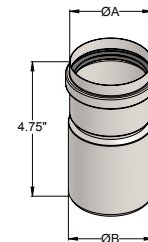
\*Product shipped individually.



## APPLIANCE ADAPTERS — STAINLESS STEEL

Used to connect ECCO Polypropylene Vent™ to an appliance outlet with an integrated gasket and clamp.

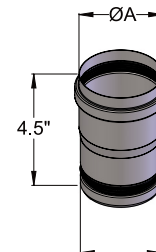
ITEM #	MODEL #	A" (mm)	B" (mm)	CTN/QTY
190912	2PPSSAD	2 (60)	2.50 (64)	6
190922	3PPSSAD	3 (80)	3.50 (89)	6
190932	4PPSSAD	4 (110)	4.50 (114)	4



## APPLIANCE ADAPTERS — FEMALE PVC

Used to connect ECCO Polypropylene Vent™ to a female PVC appliance outlet.

ITEM #	MODEL #	A" (mm)	PVC SIZE	CTN/QTY
190913	2PPPVVC	2 (60)	2" PVC	6
190923	3PPPVVC	3 (80)	3" PVC	6



– E.&O.E. – Subject to Change Without Notice – May Not Be Available At All Locations –



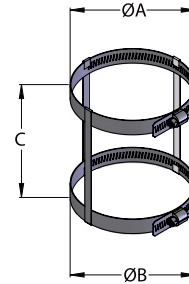
# ECCO POLYPROPYLENE VENT™ SINGLE WALL RIGID / FLEX VENTING

## ADAPTER CLAMPS

### SINGLE WALL

Used to secure single wall pipe and fittings to each other, or to an appliance/appliance adapter.

ITEM #	MODEL #	A" (mm)	B" (mm)	C" (mm)	CTN/QTY
190218	2PPAC	2 (60)	2 (60)	4 (100)	12
190318	3PPAC	3 (80)	3 (80)	4 (100)	12
190418	4PPAC	4 (110)	4 (110)	4 (100)	12



### CONCENTRIC

Used to secure single wall pipe and fittings to a concentric termination or a concentric adapter.

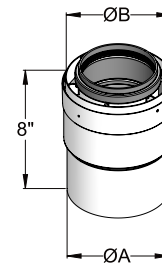
ITEM #	MODEL #	A" (mm)	B" (mm)	C" (mm)	CTN/QTY
190219	24PPAC	4 (110)	2 (60)	8 (200)	12
190319	35PPAC	5 (125)	3 (80)	8 (200)	12
190419	46PPAC	6 (160)	4 (110)	8 (200)	12

## CONCENTRIC INCREASERS

Used to increase concentric vent system diameter.

ITEM #	MODEL #	A" (mm)	B" (mm)	CTN/QTY
190485	46CI	4/6 (110/150)	4/6 (110/160)	*

\*Product shipped individually.

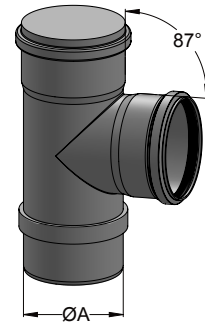


## NON-RETURN VALVES

Prevents back-flow of flue gases into non-operating appliances in a common vented cascade system.

ITEM #	MODEL #	A" (mm)	CTN/QTY
190952	3PPNRV	3 (80)	*
190953	4PPNRV	4 (110)	*

\*Product shipped individually.





# ECCO POLYPROPYLENE VENT™ SINGLE WALL RIGID / FLEX VENTING

## CASCADE STARTER KITS

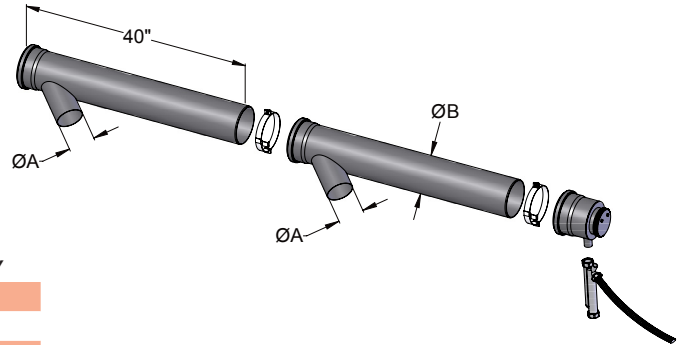
Contains necessary fittings and components for a cascade system; individual extensions are available when additional appliances need to be connected. Cascade Kit components are made from UV resistant grey polypropylene.

### Kit Includes

- (2) 45° Wye Branch Trunks
- (1) Inspection End Cap with Drain
- (2) Locking Clamps
- (1) Siphon
- (1) Hose

ITEM #	MODEL #	A" (mm)	B" (mm)	CTN/QTY
190940	304CK	3 (80)	4 (110)	*
190942	305CK	3 (80)	5 (125)	*
190944	405CK	4 (110)	5 (125)	*
190946	306CK	3 (80)	6 (160)	*
190948	406CK	4 (110)	6 (160)	*
190950	408CK	4 (110)	8 (200)	*

\*Product shipped individually.



## CASCADE EXTENSION KITS

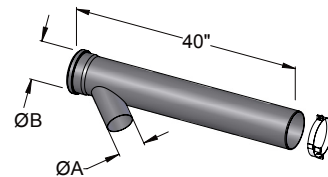
Used to add an additional appliance to the cascade system. Cascade Kit components are made from UV resistant grey polypropylene.

### Kit Includes

- (1) 45° Wye Branch Trunk
- (1) Locking Clamp

ITEM #	MODEL #	A" (mm)	B" (mm)	CTN/QTY
190941	304EK	3 (80)	4 (110)	*
190943	305EK	3 (80)	5 (125)	*
190945	405EK	4 (110)	5 (125)	*
190947	306EK	3 (80)	6 (160)	*
190949	406EK	4 (110)	6 (160)	*
190951	408EK	4 (110)	8 (200)	*

\*Product shipped individually.





# ECCO POLYPROPYLENE VENT™ SINGLE WALL RIGID / FLEX VENTING

## CONCENTRIC TERMINATIONS

### HORIZONTAL (WALL) TERMINATIONS

Used to terminate a polypropylene vent system horizontally through a wall. Designed for direct venting applications, and comes with wall seals. Can be cut to desired length. Exhaust nozzle is UV-resistant grey polypropylene, and is removable if offset kit is required.

#### 2" – 3"

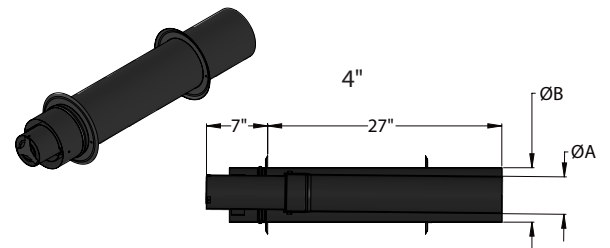
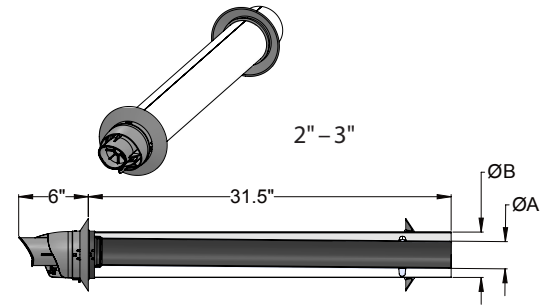
ITEM #	MODEL #	A" (mm)	B" (mm)	CTN/QTY
190288	24CWT	2 (60)	4 (100)	*
190388	35CWT	3 (80)	5 (125)	*

\*Product shipped individually.

#### 4"

ITEM #	MODEL #	A" (mm)	B" (mm)	CTN/QTY
190488	46CWT	4 (110)	6 (160)	*

\*Product shipped individually.



### EXHAUST OFFSET FOR HORIZONTAL TERMINATIONS

Used to offset or relocate exhaust discharge location in travelled areas, or to comply with codes. Installs on to concentric horizontal termination.

ITEM #	MODEL #	FOR CONCENTRIC TERMINATION SIZE (")	CTN/QTY
190289	2PPOB	2/4	*
190389	3PPOB	3/5	*

\*Product shipped individually.

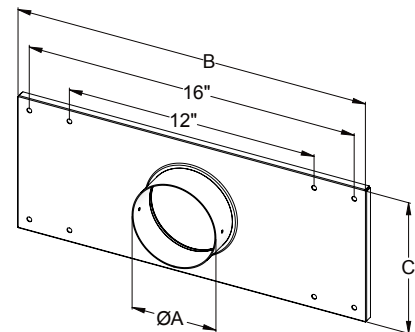


### WALL PLATE FOR HORIZONTAL TERMINATIONS

Used to trim and support a concentric horizontal termination on the inside of a building.

ITEM #	MODEL #	A" (mm)	B" (")	C" (")	CTN/QTY
190290	24CWTP	4 (100)	17	6.625	*
190390	35CWTP	5 (125)	17	8	*
190490	46CWTP	6 (160)	17	9	*

\*Product shipped individually.

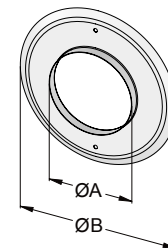


### WALL PLATES

Used to trim concentric venting when it passes through a wall.

ITEM #	MODEL #	A" (mm)	B" (")	CTN/QTY
190292	24CWTP	4 (100)	6.625	*
190392	35CWTP	5 (125)	9	*
190492	46CWTP	6 (160)	9	6

\*Product shipped individually.





# ECCO POLYPROPYLENE VENT™ SINGLE WALL RIGID / FLEX VENTING

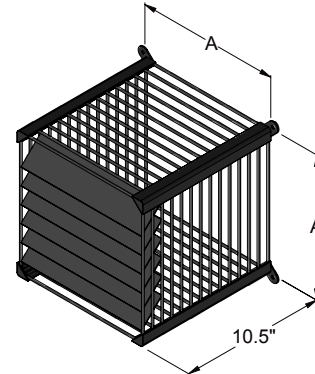
## CONCENTRIC TERMINATIONS (cont'd)

### HORIZONTAL (WALL) TERMINATION GUARDS

Mounts to exterior of building to protect horizontal termination from birds, rodents, and damage. Required by some codes.

ITEM #	MODEL #	A (")	CONCENTRIC WALL TERMINATION SIZE (")	CTN/QTY
190293	24CSSWG	7 × 7	2/4	*
190393	35CSSWG	8 × 8	3/5	*
190493	46CSSWG	9 × 9	4/6	*

\*Product shipped individually.



### VERTICAL (ROOF) TERMINATIONS

Used to terminate a polypropylene vent system vertically through a flat or sloped roof. Designed for direct venting applications, and comes with a mounting bracket.

#### 2" / 4" and 3" / 5"

Terminations are made of UV-resistant black polypropylene.

ITEM #	MODEL #	A" (mm)	B" (mm)	CTN/QTY
190295	24CVT	2 (60)	4 (100)	*
190395	35CVT	3 (80)	5 (125)	*

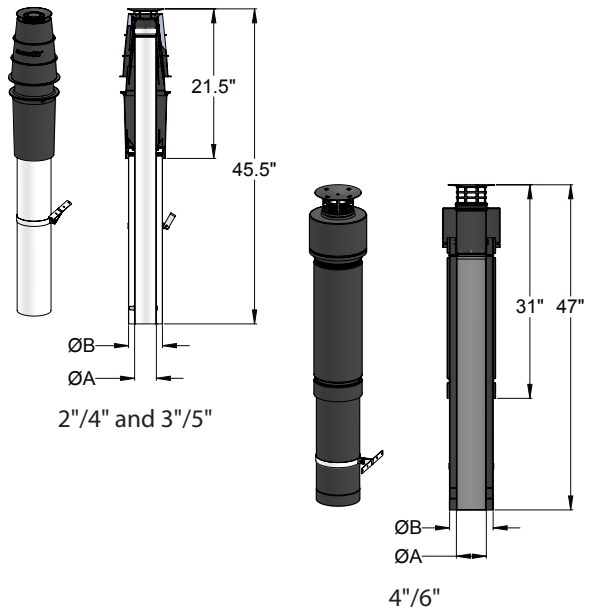
\*Product shipped individually.

#### 4" / 6"

Terminations are made of galvanized steel and powder coated black.

ITEM #	MODEL #	A" (mm)	B" (mm)	CTN/QTY
190495	46CVT	4 (110)	6 (160)	*

\*Product shipped individually.

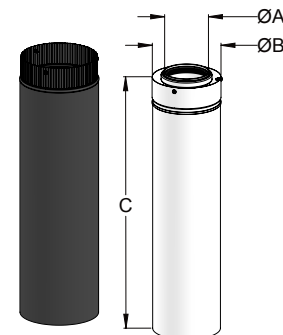


### VERTICAL (ROOF) TERMINATION EXTENSIONS

Used to increase height of a concentric vertical termination above the roof line if required. Inner pipe is concentric venting pipe, and outer is a black powder coated extension sleeve made of galvanized steel. Additional support may be required.

ITEM #	MODEL #	A" (mm)	B" (mm)	C (")	VERTICAL TERMINATION SIZE (")	CTN/QTY
190296	2440VTE	2 (60)	4 (100)	40	2/4	*
190297	2420VTE	2 (60)	4 (100)	20	2/4	*
190396	3540VTE	3 (80)	5 (125)	40	3/5	*
190397	3520VTE	3 (80)	5 (125)	20	3/5	*

\*Product shipped individually.







# ECCO POLYPROPYLENE VENT™ SINGLE WALL RIGID / FLEX VENTING

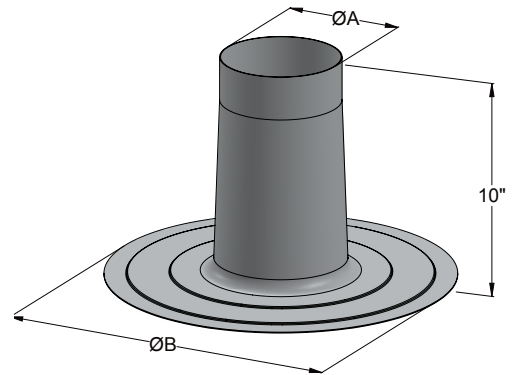
## CONCENTRIC TERMINATIONS (cont'd)

### FLAT ROOF FLASHINGS

Used when a vertical termination passes through a flat roof. No storm collar required.

ITEM #	MODEL #	A (")	B (")	VERTICAL TERMINATION SIZE (")	CTN/QTY
190294	CFE	5.3	15	2/4 and 3/5	*
190494	46CFE	6.9	17	4/6	*
190594	5PPFF	6	15	5	*
190694	6PPFF	7	17	6	*
190894	8PPFF	9	19	8	*

\*Product shipped individually.



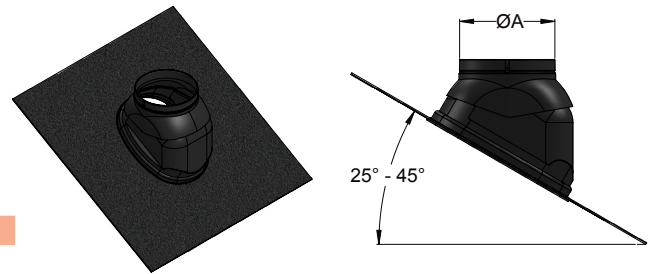
### ADJUSTABLE ROOF FLASHINGS —

#### 5/12 – 12/12 (25° – 45°)

Used when a vertical termination passes through a sloped roof, no storm collar required. Flashing material is trimable asphalt and is flexible to conform to any style of roofing material.

ITEM #	MODEL #	A (")	VERTICAL TERMINATION SIZE (")	CTN/QTY
190298	CARF	5.3	2/4 and 3/5	*
190498	46CARF	6.9	4/6	*

\*Product shipped individually.

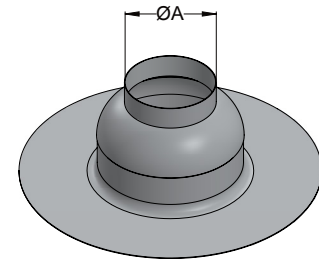


### FLAT/LOW PITCH ADJUSTABLE FLASHINGS —

#### FLAT — 5/12 (0° – 25°)

ITEM #	MODEL #	A (")	VERTICAL TERMINATION SIZE (")	CTN/QTY
190299	CFAF	5.3	2/4 and 3/5	*

\*Product shipped individually.





# ECCO POLYPROPYLENE VENT™ SINGLE WALL RIGID / FLEX VENTING

## ECCO POLYPROPYLENE VENT™ SINGLE WALL FLEXIBLE VENTING

### INTRODUCTION

#### Specifications

- Manufactured from flame retardant polypropylene
- Resistant up to 248°F (120°C)
- Operates in negative and positive pressure modes
- Not UV resistant
- Designed as a vertical flue system installation, but is safe to run at angles up to 45° from vertical
- Available in nominal diameters of 2" (60 mm), 3" (80 mm), and 4" (110 mm)
- Available in white
- System approval 20" of water column or 5000 Pa (0.725 psi)
- Flexible
- Specially designed for connection to condensing gas heating appliances
- Ideal for use within service ducts or existing chimney shafts where internal angles or bends figure in the flue route

#### Advantages

- Easy to install
- Coupling connectors which allow easy joining of shorter lengths, virtually eliminating waste
- Low weight system
- Compact packaging due to great flexibility
- Wide range of accessories

#### Safety

For safe installation of the ECCO Polypropylene Vent™ Flexible Venting System, please refer to the installation instructions.

#### Environment

- Less CO<sub>2</sub> is produced in polypropylene flue gas systems compared to traditional metal flue gas systems.
- Completely recyclable

#### Installation

- Certified to ULC-S636 standard for Class IIC rating (exhaust temperatures up to 230°F (110°C)).
- Certified diameters are 2" (60 mm), 3" (80 mm), and 4" (110 mm)
- ECCO Polypropylene Vent™ is a vent system for type BH gas venting, for use with ANSI Category II and IV gas burning appliances (condensing boilers) with a maximum flue gas temperature of 230°F (110°C).
- Installation must conform to all relevant local, State, Provincial or National codes.
- Guaranteed up to a maximum flue gas temperature of 248°F (120°C)
- Maximum allowable deflection (bend) of the flexible vent is 45°, so that condensate does not collect in the corrugations.
- Appliances can be operated immediately upon the completion of ECCO Polypropylene Vent™ installation.
- Vent pipe is rated to a maximum of 20" of water column, or 5000 Pa (0.725psi).
- Minimum clearance to combustibles is 0"
- Unless approved by the appliance manufacturer, only one appliance may be attached to the vent system.
- Do not use ECCO Polypropylene Vent™ with any other manufacturer's vent components – it must be used exclusively throughout the entire vent system.



# ECCO POLYPROPYLENE VENT™ SINGLE WALL RIGID / FLEX VENTING

## FLEX RELINING KITS

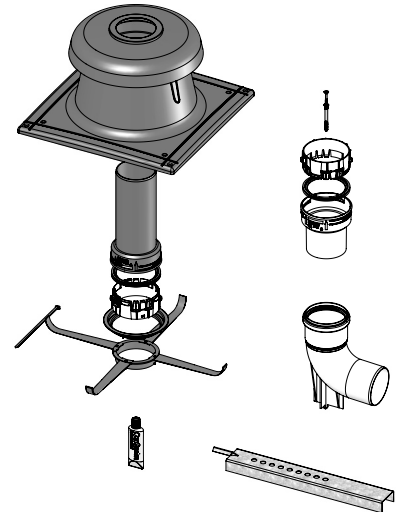
Used when a masonry chimney is relined with flexible polypropylene vent. The cap is designed to suit direct vent configurations. The existing masonry flue can be utilized as a pipe for supply air. Flex available separately.

### Kit Includes

- (1) Chimney Cap
- (5) Flex Spacers
- (1) Support Elbow and Bracket
- (1) Male Adapter
- (1) UV Pipe with Flex Connection
- Installation Hardware

ITEM #	MODEL #	FLEX SIZE" (mm)	CTN/QTY
190236	2PPFK	2 (60)	*
190336	3PPFK	3 (80)	*
190436	4PPFK	4 (110)	*

\*Product shipped individually.

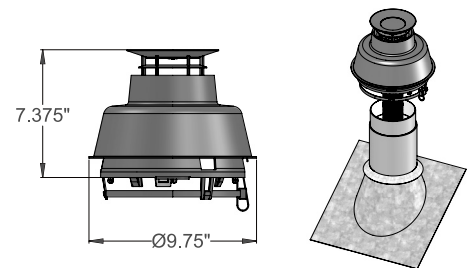


## B-VENT RETROFIT FLEX CAPS

Used to terminate a flex system when retrofitting existing B-vent or other existing round flue with polypropylene flex. The existing round venting, or factory built chimney can be utilised as a chase. In most cases, the existing roof penetration and flashing can be re-purposed.

ITEM #	MODEL #	FLEX SIZE" (mm)	B-VENT DIAMETERS (")	CTN/QTY
190235	2PPFBVC	2	5, 6, 8	*
190335	3PPFBVC	3	5, 6, 8	*

\*Product shipped individually.

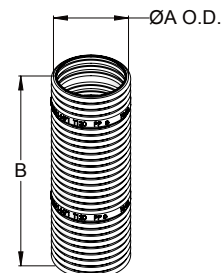


## FLEX PIPES

Used to reline existing masonry or factory built venting systems. Comes in various length coils, and can be cut to any desirable length, or coupled together.

ITEM #	MODEL #	FLEX SIZE" (mm)	A (")	B (")	CTN/QTY
190237	240PPF	2 (60)	2.3	40	*
190238	280PPF	2 (60)	2.3	80	*
190337	340PPF	3 (80)	3.3	40	*
190338	380PPF	3 (80)	3.3	80	*
190437	448PPF	4 (110)	4.3	48	*
190438	480PPF	4 (110)	4.3	80	*

\*Product shipped individually.



\*Contact your factory representative for further dimensional information.

– E.&O.E. – Subject to Change Without Notice – May Not Be Available At All Locations –



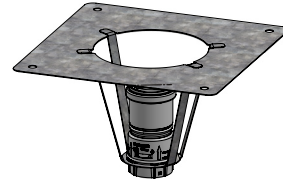
# ECCO POLYPROPYLENE VENT™ SINGLE WALL RIGID / FLEX VENTING

## FEMALE ADAPTERS — FLEX TO RIGID

Used to adapt flex into rigid pipe. Comes with Support Plate for top of chimney.

ITEM #	MODEL #	FLEX SIZE" (mm)	CTN/QTY
190241	2PPFFA	2 (60)	*
190341	3PPFFA	3 (80)	*
190441	4PPFFA	4 (110)	*

\*Product shipped individually.

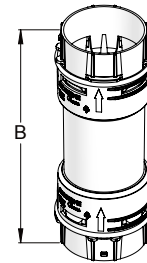


## COUPLERS

Used to join two lengths of flex pipe together to form a longer length.

ITEM #	MODEL #	FLEX SIZE" (mm)	B (")	CTN/QTY
190242	2PPFC	2 (60)	7.3	*
190342	3PPFC	3 (80)	7.3	*
190442	4PPFC	4 (110)	7.3	*

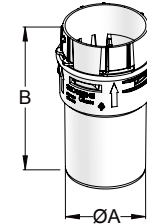
\*Product shipped individually.



## MALE ADAPTERS — RIGID TO FLEX

Used to adapt rigid pipe to flex. Typically used to connect rigid pipe to flex at the bottom of a chimney.

ITEM #	MODEL #	FLEX SIZE" (mm)	A" (mm)	B (")	CTN/QTY
190244	2PPFRM	2 (60)	2 (60)	4.8	6
190344	3PPFRM	3 (80)	3 (80)	4.8	6
190444	4PPFRM	4 (110)	4 (110)	4.8	6

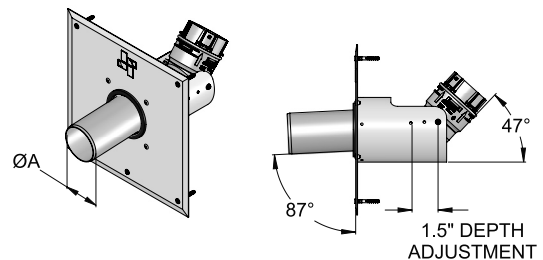


## CHIMNEY BEND — SINGLE PIPE TO FLEX

Used to connect a single rigid pipe to flex pipe installed in a masonry chimney or chase. An adjustable depth flex bend with integrated flex coupling allows for easy connection of flex pipe.

ITEM #	MODEL #	A" (mm)	FLEX SIZE (")	CTN/QTY
190917	202FCB	2 (60)	2	*
190927	303FCB	3 (80)	3	*

\*Product shipped individually.



– E.&O.E. – Subject to Change Without Notice – May Not Be Available At All Locations –



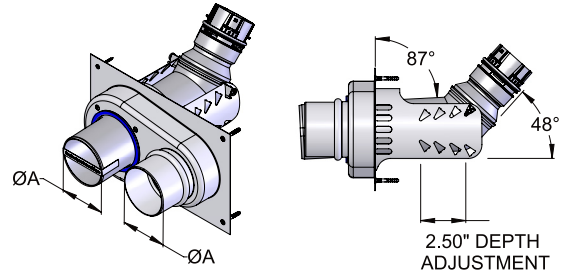
# ECCO POLYPROPYLENE VENT™ SINGLE WALL RIGID / FLEX VENTING

## CHIMNEY BEND — TWIN PIPE TO FLEX

Used to connect a twin pipe rigid system to flex pipe installed in a masonry chimney or chase. An adjustable depth flex bend with integrated flex coupling allows for easy connection of flex pipe. The intake collar allows supply air to be drawn from the existing chase or chimney.

ITEM #	MODEL #	A" (mm)	FLEX SIZE (")	CTN/QTY
190915	3302FCB	3 (80)	2	*
190925	3303FCB	3 (80)	3	*

\*Product shipped individually.

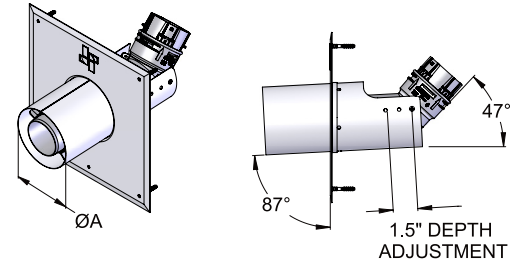


## CHIMNEY BEND — CONCENTRIC TO FLEX

Used to connect a concentric system or adapter to flex pipe installed in a masonry chimney or chase. An adjustable depth flex bend with integrated flex coupling allows for easy connection of flex pipe. This configuration allows supply air to be drawn from the existing flue or chase.

ITEM #	MODEL #	A" (mm)	FLEX SIZE (")	CTN/QTY
190916	2402FCB	2 (60)	2	*
190926	3503FCB	3 (80)	3	*

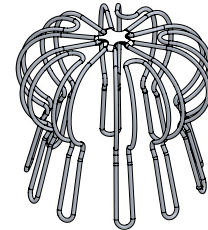
\*Product shipped individually.



## BIRD GUARDS

Installs into rigid or flex chimney cap pipe to prevent entry of birds, rodents and debris.

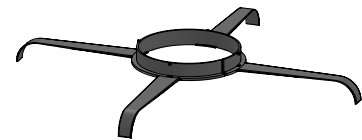
ITEM #	MODEL #	CHIMNEY CAP SIZE" (mm)	CTN/QTY
190245	2PPSSG	2 (60)	6
190345	3PPSSG	3 (80)	6
190445	4PPSSG	4 (110)	6



## SPACING BRACKETS — FLEX PIPE

Used as a spacer to self-center the flex in a flue or chase.

ITEM #	MODEL #	FLEX SIZE (")	CTN/QTY
190246	2PPFS	2	5
190346	3PPFS	3	5
190446	4PPFS	4	5



– E.&O.E. – Subject to Change Without Notice – May Not Be Available At All Locations –



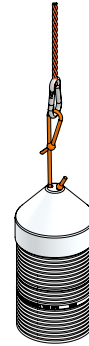
# ECCO POLYPROPYLENE VENT™ SINGLE WALL RIGID / FLEX VENTING

## FLEX PULLER TOOLS

Used to install flex into an existing chimney or flue. Flex pipe sold separately.

ITEM #	MODEL #	FLEX SIZE" (mm)	CTN/QTY
190243	2PPFP	2 (60)	*
190343	3PPFP	3 (80)	*
190443	4PPFP	4 (110)	*

\*Product shipped individually.

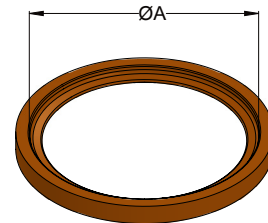


## REPLACEMENT FLEX GASKETS — VITON

Used to replace a missing or damaged gasket in flex components.

ITEM #	MODEL #	FLEX SIZE" (mm)	CTN/QTY
190255	2PPGF	2 (60)	6
190355	3PPGF	3 (80)	*
190455	4PPGF	4 (110)	*

\*Product shipped individually.



## GASKET LUBRICANT

Special chloride-free lubricant, recommended for all joints with a gasket. Applied to gaskets to ease assembly of pipes and components.

ITEM #	MODEL #	CTN/QTY
190900	PPGL	6



– E.&O.E. – Subject to Change Without Notice – May Not Be Available At All Locations –





[www.eccomfg.com](http://www.eccomfg.com)

**Langley Distribution**

19860 Fraser Highway  
Langley, British Columbia  
Canada V3A 4C9

Phone: 604-530-4151  
Toll Free: 1-877-955-4805  
Fax: 604-533-9335

**Calgary Distribution**

21 – 11150 38th Street, S.E.  
Calgary, Alberta  
Canada T2C 2Z6

Phone: 403-720-0895  
Toll Free: 1-877-955-4815  
Fax: 403-720-0897

**Kent Distribution**

20001 87th Ave. S, Bldg E  
Kent, Washington  
USA 98031

Phone: 253-872-3721  
Toll Free: 1-800-207-6859  
Fax: 253-872-3724