

# RESIDENTIAL

## Chimney Liners, 2-Ply Flex



ECCO™ is proud to be a member of:



**SMACNA**  
Sheet Metal and Air  
Conditioning Contractors'  
National Association  
[www.smacna.org](http://www.smacna.org)



**HRAI**  
Heating, Refrigeration and  
Air Conditioning  
Institute of Canada  
[www.hrai.ca](http://www.hrai.ca)



**HARDI**  
Heating, Air-conditioning  
& Refrigeration  
Distributors International  
[www.hardinet.org](http://www.hardinet.org)



**ADI**  
Air  
Distribution  
Institute  
[www.steelduct.org](http://www.steelduct.org)



**AD**  
Affiliated Distributors™  
[www.adhq.com](http://www.adhq.com)



**CME**  
Canadian  
Manufacturers &  
Exporters  
[www.cme-mec.ca](http://www.cme-mec.ca)



**SPIDA**  
Spiral Duct  
Manufacturers  
Association  
[www.spida.org](http://www.spida.org)



# CHIMNEY LINERS, 2-PLY FLEX

## INDEX

|   |      |
|---|------|
| 4" OFFSET BOXES — STAINLESS STEEL.....            | A7-7 |
| CHIMNEY LINERS                                    |      |
| 2-PLY — ALUMINUM.....                             | A7-3 |
| 2-PLY — CARTON — ALUMINUM.....                    | A7-4 |
| CAP ASSEMBLY — 5" EXTENSION.....                  | A7-3 |
| CAP ASSEMBLY — ALUMINUM.....                      | A7-3 |
| EXTENSIONS — 2-PLY — WITH COUPLER — ALUMINUM..... | A7-4 |
| KITS  |      |
| ALUMINUM.....                                     | A7-5 |
| STAINLESS STEEL.....                              | A7-6 |
| LOW PROFILE CAPS — 4" EXTENSION — ALUMINUM.....   | A7-5 |
| LOW PROFILE RAIN CAPS — ALUMINUM.....             | A7-5 |
| REDUCERS — STAINLESS STEEL.....                   | A7-8 |
| STAINLESS STEEL.....                              | A7-6 |
| CONNECTORS — DRIPLESS — STAINLESS STEEL.....      | A7-7 |
| COUPLERS — STAINLESS STEEL.....                   | A7-6 |
| ELBOWS — STAINLESS STEEL                          |      |
| 45°.....  | A7-8 |
| 90°.....  | A7-8 |
| FLASHINGS — STAINLESS STEEL.....                  | A7-9 |
| FLEX VENT SPACERS.....                            | A7-4 |
| FLUE ADAPTERS — STAINLESS STEEL.....              | A7-8 |
| RAIN CAPS — STAINLESS STEEL.....                  | A7-9 |
| SUPPORT COLLARS — STAINLESS STEEL.....            | A7-9 |
| TEES WITH CLEANOUT — STAINLESS STEEL.....         | A7-7 |

### LEGEND

**NOTE:** The boxed columns throughout the tables are intended to provide a quick determination of ordering dimensions.

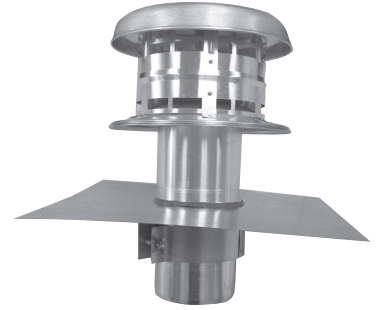
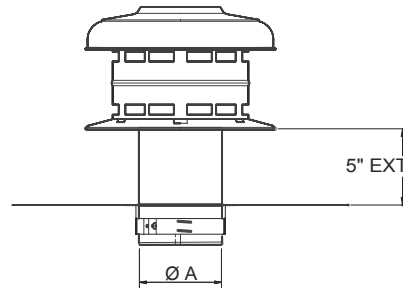
**ABBREVIATIONS:** CTN/QTY = Carton Quantity  
 LGTH/CTN = Length per Carton  
 PCS/CTN = Pieces per Carton  
 WT/100 = Weight per 100 Pieces  
 WT/100 FT = Weight per 100 Feet



# CHIMNEY LINERS, 2-PLY FLEX

## CHIMNEY LINER CAP ASSEMBLY — 5" EXTENSION

| ITEM # | SIZE (") | A (") | CTN/QTY | WT/100 |
|--------|----------|-------|---------|--------|
| 301023 | 3        | 3     | *       | 400    |
| 301024 | 4        | 4     | *       | 400    |
| 301025 | 5        | 5     | *       | 400    |
| 301026 | 6        | 6     | *       | 500    |
| 301027 | 7        | 7     | *       | 500    |
| 301028 | 8        | 8     | *       | 500    |

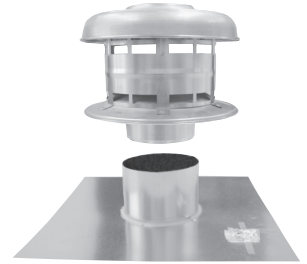
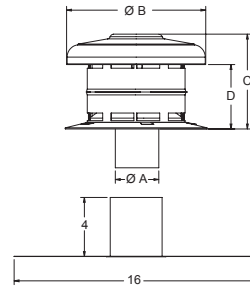


\*Product shipped individually.

**NOTE:** Base – Galvanized / Cap – Aluminum

## CHIMNEY LINER CAP ASSEMBLY — ALUMINUM

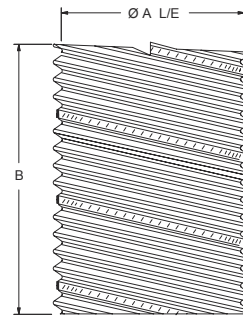
| ITEM # | SIZE (") | A (") | B (")  | C (") | D (") | CTN/QTY | WT/100 |
|--------|----------|-------|--------|-------|-------|---------|--------|
| 301003 | 3        | 3     | 8      | 6-1/8 | 4     | *       | 285    |
| 301004 | 4        | 4     | 9-3/8  | 6-1/8 | 4     | *       | 309    |
| 301005 | 5        | 5     | 10-3/4 | 7     | 4-1/2 | *       | 323    |
| 301006 | 6        | 6     | 12-3/8 | 7     | 4-1/2 | *       | 345    |
| 301007 | 7        | 7     | 14     | 7-3/4 | 5     | *       | 368    |
| 301008 | 8        | 8     | 15-5/8 | 7-3/4 | 5     | *       | 392    |



\*Product shipped individually.

## CHIMNEY LINERS — 2-PLY — ALUMINUM

| ITEM # | SIZE     | A (") | B (') | CTN/QTY | WT/100 FT |
|--------|----------|-------|-------|---------|-----------|
| 300907 | 7" × 25' | 7     | 25    | *       | 52        |
| 300908 | 8" × 25' | 8     | 25    | *       | 60        |
| 300937 | 7" × 35' | 7     | 35    | *       | 52        |
| 300938 | 8" × 35' | 8     | 35    | *       | 60        |
| 300953 | 3" × 50' | 3     | 50    | *       | 20        |
| 300954 | 4" × 50' | 4     | 50    | *       | 28        |
| 300955 | 5" × 50' | 5     | 50    | *       | 36        |
| 300956 | 6" × 50' | 6     | 50    | *       | 44        |
| 300957 | 7" × 50' | 7     | 50    | *       | 52        |
| 300958 | 8" × 50' | 8     | 50    | *       | 60        |



\*Product shipped individually.

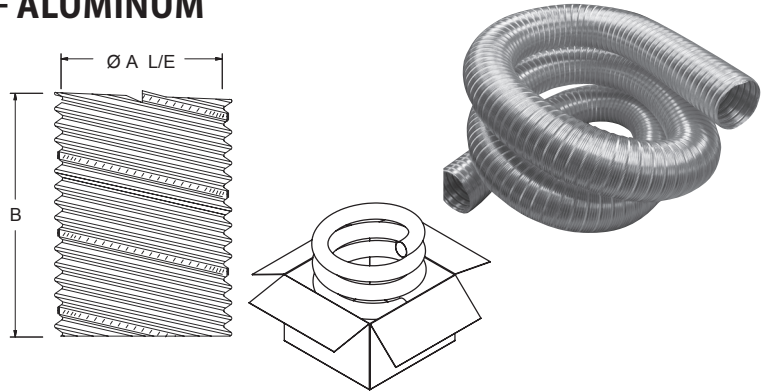
– E.&O.E. – Subject to Change Without Notice – May Not Be Available At All Locations –



# CHIMNEY LINERS, 2-PLY FLEX

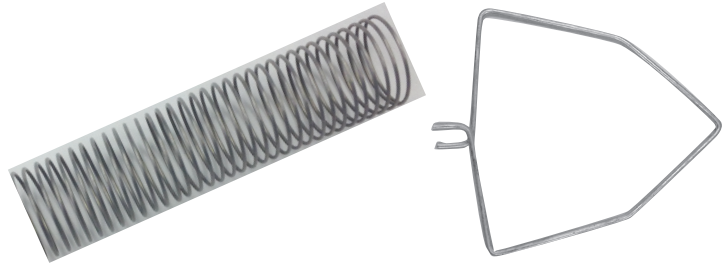
## CHIMNEY LINERS — 2-PLY — CARTON — ALUMINUM

| ITEM # | SIZE     | A (") | B (') | CTN/QTY | WT/100 |
|--------|----------|-------|-------|---------|--------|
| 300990 | 3" x 25' | 3     | 25    | 1       | 530    |
| 300991 | 4" x 25' | 4     | 25    | 1       | 730    |
| 300992 | 5" x 25' | 5     | 25    | 1       | 930    |
| 300993 | 6" x 25' | 6     | 25    | 1       | 1130   |
| 300996 | 3" x 35' | 3     | 35    | 1       | 730    |
| 300997 | 4" x 35' | 4     | 35    | 1       | 1010   |
| 300998 | 5" x 35' | 5     | 35    | 1       | 1290   |
| 300999 | 6" x 35' | 6     | 35    | 1       | 1570   |



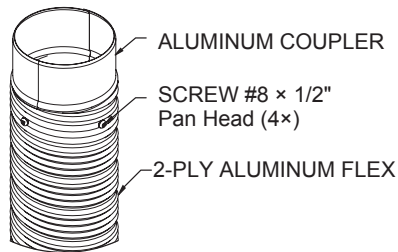
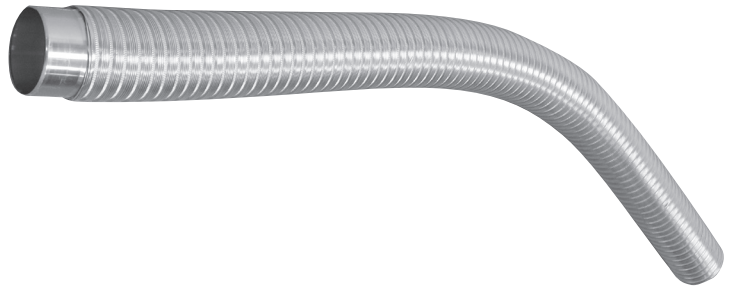
## FLEX VENT SPACERS

| ITEM # | DESCRIPTION               | CTN/QTY | WT/100 |
|--------|---------------------------|---------|--------|
| 670050 | 4" - 7" Aluminum Wire     | 240     | 1      |
| 670053 | 5" - 8" Aluminum Wire     | 200     | 1      |
| 670055 | 1" Stainless Steel Spring | 300     | 4      |

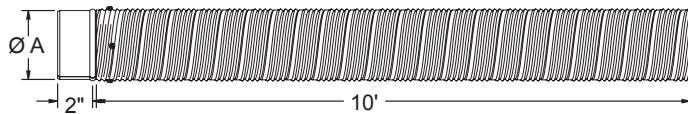


## CHIMNEY LINER EXTENSIONS — 2-PLY — WITH COUPLER — ALUMINUM

| ITEM # | SIZE     | A (") | PCS/CTN | WT/100 |
|--------|----------|-------|---------|--------|
| 301063 | 3" x 10' | 3     | 35      | 220    |
| 301064 | 4" x 10' | 4     | 20      | 295    |
| 301065 | 5" x 10' | 5     | 13      | 375    |
| 301066 | 6" x 10' | 6     | 9       | 440    |



DETAIL VIEW



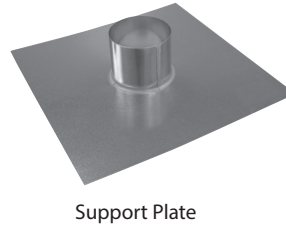
- E.&O.E. - Subject to Change Without Notice - May Not Be Available At All Locations -



# CHIMNEY LINERS, 2-PLY FLEX

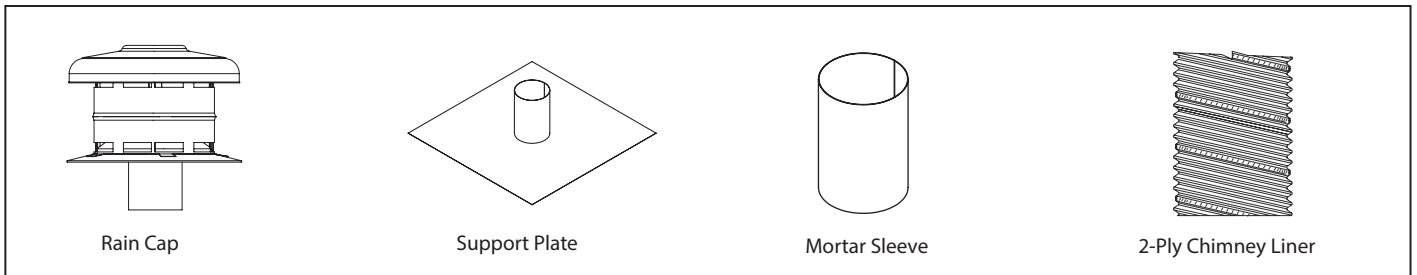
## CHIMNEY LINER KITS — ALUMINUM

| ITEM # | SIZE     | CTN/QTY | WT/100 |
|--------|----------|---------|--------|
| 301043 | 3" x 25' | 1       | 1100   |
| 301044 | 4" x 25' | 1       | 1350   |
| 301045 | 5" x 25' | 1       | 1575   |
| 301046 | 6" x 25' | 1       | 1750   |
| 301053 | 3" x 35' | 1       | 1500   |
| 301054 | 4" x 35' | 1       | 1850   |
| 301055 | 5" x 35' | 1       | 2175   |
| 301056 | 6" x 35' | 1       | 2525   |



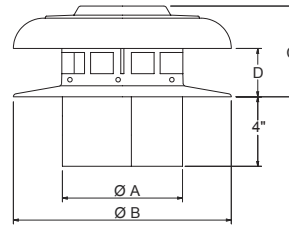
### Chimney Liner Kit includes:

- 1 – Rain Cap
- 1 – Support Plate
- 1 – Mortar Sleeve
- 1 – 2-Ply Chimney Liner



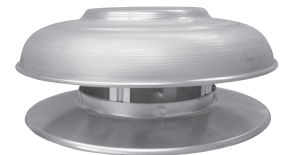
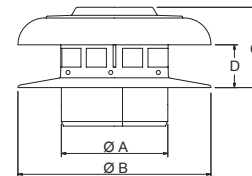
## LOW PROFILE LINER CAPS — 4" EXTENSION — ALUMINUM

| ITEM # | SIZE (") | A (") | B (") | C (") | D (") | CTN/QTY | WT/100 |
|--------|----------|-------|-------|-------|-------|---------|--------|
| 301017 | 3        | 3     | 8     | 2-7/8 | 1-3/8 | 10      | 60     |
| 301018 | 4        | 4     | 8     | 3-1/8 | 1-5/8 | 10      | 80     |
| 301019 | 5        | 5     | 9     | 3-1/2 | 2     | 10      | 100    |



## LOW PROFILE LINER RAIN CAPS — ALUMINUM

| ITEM # | SIZE (") | A (") | B (") | C (") | D (") | CTN/QTY | WT/100 |
|--------|----------|-------|-------|-------|-------|---------|--------|
| 301014 | 4        | 4     | 8     | 3-1/8 | 1-5/8 | 10      | 50     |
| 301015 | 5        | 5     | 9     | 3-1/2 | 2     | 10      | 65     |



– E.&O.E. – Subject to Change Without Notice – May Not Be Available At All Locations –



# CHIMNEY LINERS, 2-PLY FLEX

## CHIMNEY LINER KITS — STAINLESS STEEL

| ITEM # | DESCRIPTION        | CTN/QTY | WT/100 |
|--------|--------------------|---------|--------|
| 299502 | 5" x 25'           | 1       | 1900   |
| 299602 | 6" x 25'           | 1       | 2200   |
| 299503 | 5" x 25' with Tee* | 1       | 2100   |
| 299603 | 6" x 25' with Tee* | 1       | 2440   |



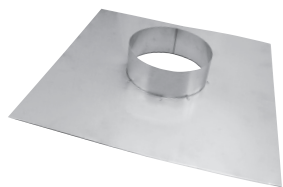
Stainless Steel Rain Cap



Stainless Steel Dripless Connector

### Stainless Steel Liner Kit Assembly includes:

- 1 – Stainless Steel Rain Cap
  - 1 – Stainless Steel Dripless Connector
  - 1 – Stainless Steel Liner Flashing
  - 1 – Stainless Steel Liner Support Collar
  - 1 – 25' Stainless Steel Chimney Liner
  - 1 – Stainless Steel Tee\*
- \*Only included with 299503 / 299603



Stainless Steel Liner Flashing



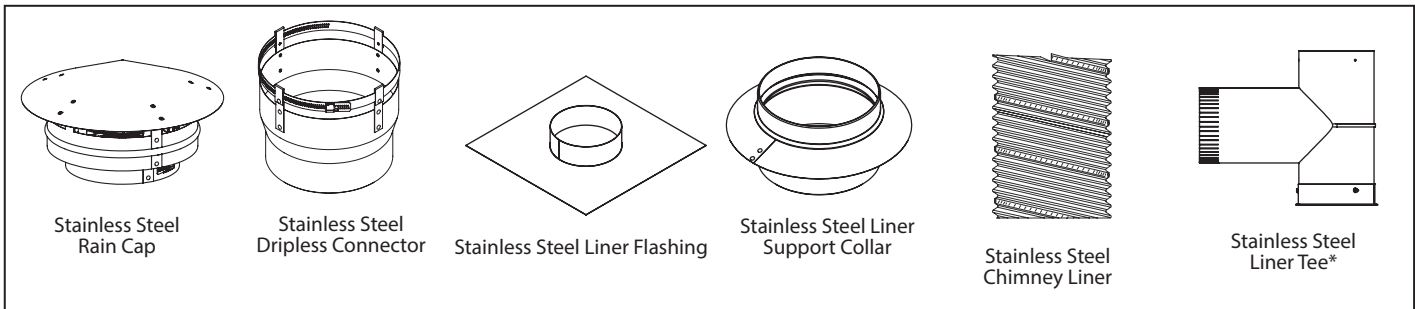
Stainless Steel Liner Support Collar



Stainless Steel Chimney Liner

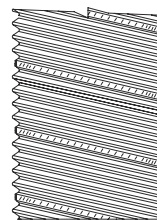


Stainless Steel Liner Tee\*



## CHIMNEY LINERS — STAINLESS STEEL

| ITEM # | SIZE     | CTN/QTY | WT/100 |
|--------|----------|---------|--------|
| 299504 | 5" x 25' | 1       | 1800   |
| 299604 | 6" x 25' | 1       | 1500   |



Stainless Steel Chimney Liner

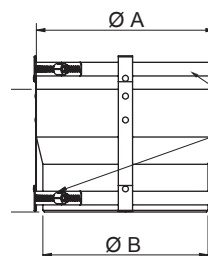


Stainless Steel Chimney Liner

## COUPLERS — STAINLESS STEEL

| ITEM # | SIZE (") | A (") | B (")  | CTN/QTY | WT/100 |
|--------|----------|-------|--------|---------|--------|
| 299522 | 5        | 5-1/2 | 5-1/16 | 10      | 65     |
| 299622 | 6        | 6-1/2 | 6-1/16 | 10      | 75     |

**NOTE:** General tolerance of dimensions are +/- 1/8" unless otherwise specified.



GEAR CLAMP FOR ATTACHING FLEXIBLE LINER



-E.&O.E. - Subject to Change Without Notice - May Not Be Available At All Locations -

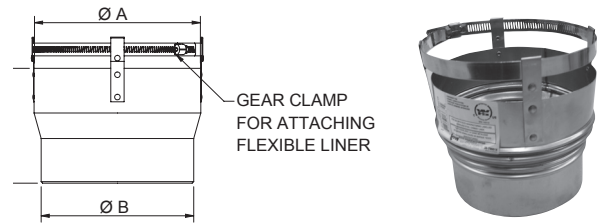


# CHIMNEY LINERS, 2-PLY FLEX

## DRIPLESS CONNECTORS — STAINLESS STEEL

| ITEM # | SIZE (") | A (") | B (") | CTN/QTY | WT/100 |
|--------|----------|-------|-------|---------|--------|
| 299524 | 5        | 5-1/2 | 5     | 10      | 65     |
| 299624 | 6        | 6-1/2 | 6     | 10      | 75     |

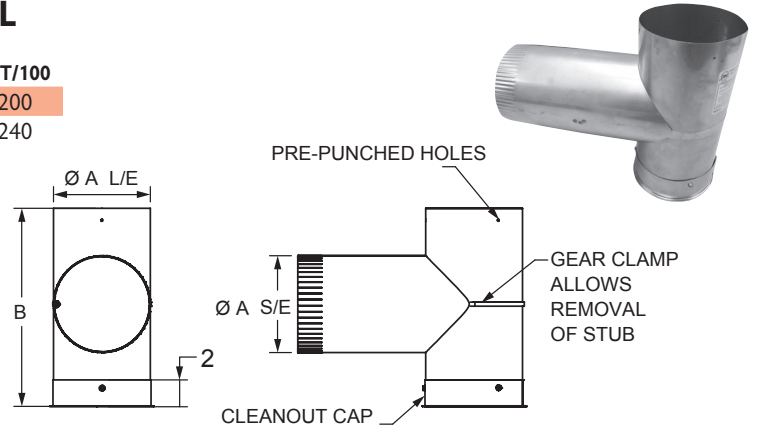
**NOTE:** General tolerance of dimensions are +/- 1/8" unless otherwise specified.



## TEES WITH CLEANOUT — STAINLESS STEEL

| ITEM # | SIZE (") | A (") | B (")  | CTN/QTY | WT/100 |
|--------|----------|-------|--------|---------|--------|
| 299526 | 5        | 5     | 10-1/4 | 10      | 200    |
| 299626 | 6        | 6     | 12-1/4 | 10      | 240    |

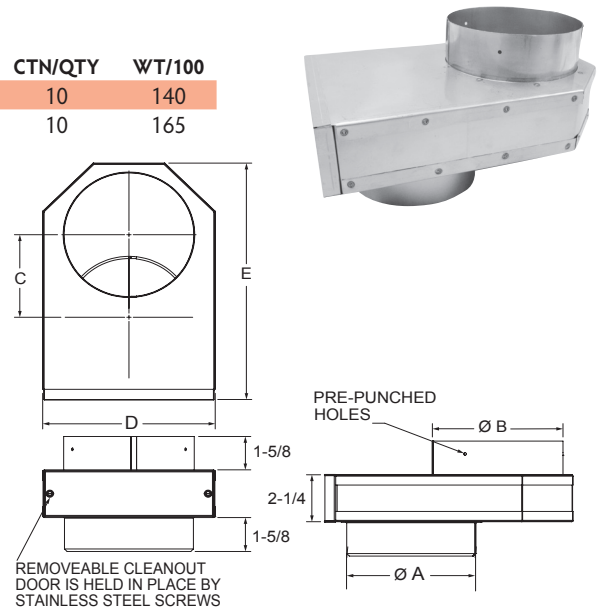
**NOTE:** General tolerance of dimensions are +/- 1/8" unless otherwise specified.



## 4" OFFSET BOXES — STAINLESS STEEL

| ITEM # | SIZE (") | A (") | B (") | C (") | D (") | E (")  | CTN/QTY | WT/100 |
|--------|----------|-------|-------|-------|-------|--------|---------|--------|
| 299528 | 5        | 5     | 5     | 4     | 7     | 10-1/2 | 10      | 140    |
| 299628 | 6        | 6     | 6     | 4     | 8     | 11-1/2 | 10      | 165    |

**NOTE:** General tolerance of dimensions are +/- 1/8" unless otherwise specified.



- E.&O.E. - Subject to Change Without Notice - May Not Be Available At All Locations -

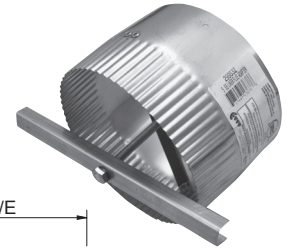
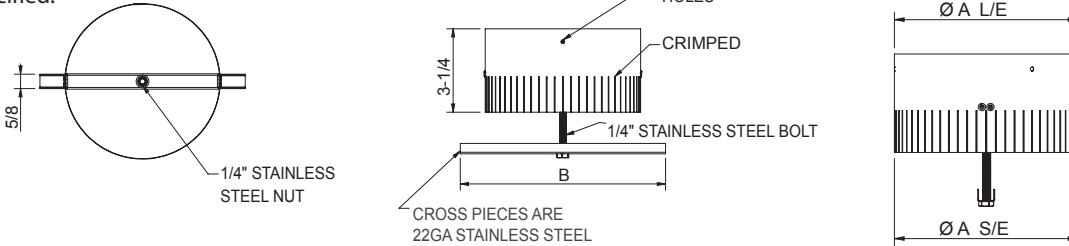


# CHIMNEY LINERS, 2-PLY FLEX

## FLUE ADAPTERS — STAINLESS STEEL

| ITEM # | SIZE (") | A (") | B (") | CTN/QTY | WT/100 |
|--------|----------|-------|-------|---------|--------|
| 299532 | 5        | 5     | 7     | 10      | 60     |
| 299632 | 6        | 6     | 8     | 10      | 60     |

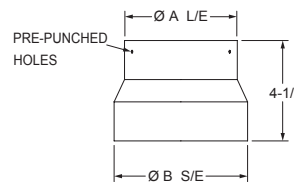
**NOTE:** General tolerance of dimensions are +/- 1/8" unless otherwise specified.



## LINER REDUCERS — STAINLESS STEEL

| ITEM # | SIZE (") | A (") | B (") | CTN/QTY | WT/100 |
|--------|----------|-------|-------|---------|--------|
| 299634 | 6        | 5     | 6     | 10      | 50     |

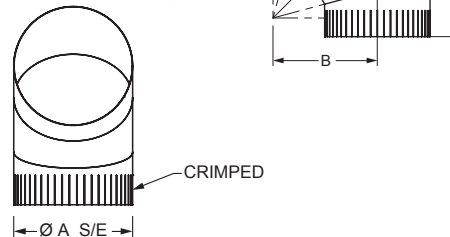
**NOTE:** General tolerance of dimensions are +/- 1/8" unless otherwise specified.



## 90° ELBOWS — STAINLESS STEEL

| ITEM # | DESCRIPTION | A (") | B (") | CTN/QTY | WT/100 |
|--------|-------------|-------|-------|---------|--------|
| 299538 | 5" x 90°    | 5     | 5     | 10      | 100    |
| 299638 | 6" x 90°    | 6     | 6     | 10      | 120    |

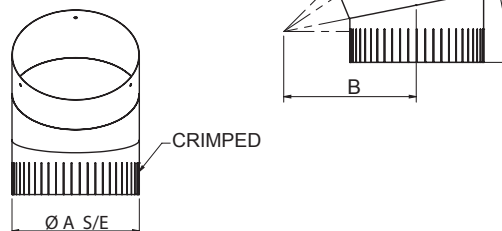
**NOTE:** General tolerance of dimensions are +/- 1/8" unless otherwise specified.



## 45° ELBOWS — STAINLESS STEEL

| ITEM # | DESCRIPTION | A (") | B (") | CTN/QTY | WT/100 |
|--------|-------------|-------|-------|---------|--------|
| 299536 | 5" x 45°    | 5     | 5     | 10      | 70     |
| 299636 | 6" x 45°    | 6     | 6     | 10      | 80     |

**NOTE:** General tolerance of dimensions are +/- 1/8" unless otherwise specified.



-E.&O.E. - Subject to Change Without Notice - May Not Be Available At All Locations -



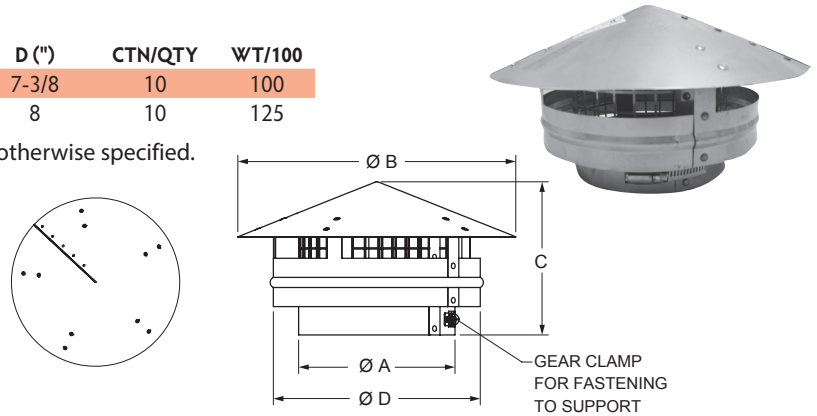


# CHIMNEY LINERS, 2-PLY FLEX

## RAIN CAPS — STAINLESS STEEL

| ITEM # | SIZE (") | A (")  | B (") | C (") | D (") | CTN/QTY | WT/100 |
|--------|----------|--------|-------|-------|-------|---------|--------|
| 299540 | 5        | 5-3/16 | 10    | 5-3/8 | 7-3/8 | 10      | 100    |
| 299640 | 6        | 6-3/16 | 11    | 6     | 8     | 10      | 125    |

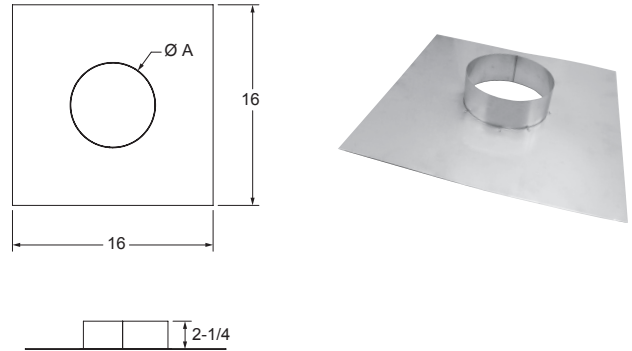
**NOTE:** General tolerance of dimensions are +/- 1/8" unless otherwise specified.



## FLASHINGS — STAINLESS STEEL

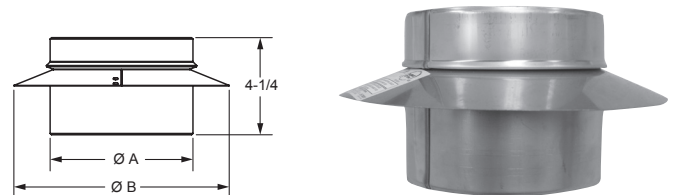
| ITEM # | SIZE (") | A (") | CTN/QTY | WT/100 |
|--------|----------|-------|---------|--------|
| 299543 | 5        | 5-3/4 | 10      | 115    |
| 299643 | 6        | 6-3/4 | 10      | 140    |

**NOTE:** General tolerance of dimensions are +/- 1/8" unless otherwise specified.



## SUPPORT COLLARS — STAINLESS STEEL

| ITEM # | SIZE (") | A (") | B (")  | CTN/QTY | WT/100 |
|--------|----------|-------|--------|---------|--------|
| 299545 | 5        | 5     | 8-3/16 | 10      | 65     |
| 299645 | 6        | 6     | 9-3/16 | 10      | 75     |



- E.&O.E. - Subject to Change Without Notice - May Not Be Available At All Locations -



[www.eccomfg.com](http://www.eccomfg.com)

**Langley Distribution**

19860 Fraser Highway  
Langley, British Columbia  
Canada V3A 4C9

Phone: 604-530-4151  
Toll Free: 1-877-955-4805  
Fax: 604-533-9335

**Calgary Distribution**

21 – 11150 38th Street, S.E.  
Calgary, Alberta  
Canada T2C 2Z6

Phone: 403-720-0895  
Toll Free: 1-877-955-4815  
Fax: 403-720-0897

**Kent Distribution**

20001 87th Ave. S, Bldg E  
Kent, Washington  
USA 98031

Phone: 253-872-3721  
Toll Free: 1-800-207-6859  
Fax: 253-872-3724