

SHU | OXFORD™

COMMERCIAL AND INDUSTRIAL UNIT HEATER



OXFORD™
SERIES | SÉRIE



THE POWER OF DISPERSION

°STELPRO designs heaters for all circumstances. Take the SHU, the large volume heater that is distinguished by its appealing appearance, its manufacturing and its sturdy composition. It is usually installed in large garages, but it is not uncommon for it to be seen in warehouses or any other kind of commercial construction site requiring a generous volume of heat. The SHU works with great ease and has an incredible power scale from 2 kW to 60 kW. What could be better!

INSTANT HEAT

PERMANENTLY LUBRICATED MOTOR

WIDE RANGE OF POWER: 2 KW TO 60 KW

WALL OR CEILING INSTALLATION BRACKET INCLUDED

COLOUR

- charcoal

FINISH

- epoxy-polyester powdercoat

MANUFACTURING

- heavy-duty, 18-gauge steel cabinet
- adjustable louvers and protective screen
- thermal protection with automatic reset

MOTOR

- permanently enclosed lubricated ball bearing motor for long-lasting operation

ELEMENT

- nichrome element produces instant heat

CONTROL

- connection of multiple units to the same thermostat is possible with a relay kit without transformer (optional) and an external transformer (not provided)

INSTALLATION

- wall or ceiling mounted with universal mounting bracket (included)
- minimum distance from adjacent walls: 6 in. (2 kW to 30 kW units), 12 in. (40 kW to 60 kW units)
- maximum mounting heights: 8 ft. (2 kW to 10 kW units), 10 ft. (15 kW to 30 kW units), 15 ft. (40 kW to 60 kW units)

WARRANTY

- three years

IDEAL FOR:

warehouse, factory, indoor parking garage,
large industrial and commercial spaces

°STELPRO

°STELPRO reserves the right to modify descriptions, manufacturing specifications or prices without prior notice. No returns accepted on optional-colour products. For all the latest models and prices, please refer to our website at www.stelpro.com.



TECHNICAL SPECIFICATIONS

WITHOUT CONTROL		BUILT-IN THERMOSTAT		240 V CONTROL		24 V CONTROL		VOLTAGE	POWER	FLOW
CODE	PRICE	CODE	PRICE	CODE	PRICE	CODE	PRICE	VOLTS	KW	CFM
SHU0281CHAR	960.00	SHU0281TCHAR	1028.00	SHU0281CCHAR	1042.00	SHU0281C24CHAR	1085.00	208	2	250
---	---	SHU0283CTCHAR*	1111.00	SHU0283CCHAR*	1042.00	SHU0283C24CHAR*	1085.00	208	2	250
SHU0221CHAR	960.00	SHU0221TCHAR	1028.00	SHU0221CCHAR	1042.00	SHU0221C24CHAR	1085.00	240/208	2/1.8	250
---	---	SHU0231CTCHAR	1301.00	SHU0231CCHAR	1233.00	SHU0231C24CHAR	1274.00	347	2	250
---	---	SHU0261CTCHAR	1301.00	SHU0261CCHAR	1233.00	SHU0261C24CHAR	1274.00	600	2	250
---	---	SHU0263CTCHAR*	1301.00	SHU0263CCHAR*	1233.00	SHU0263C24CHAR*	1274.00	600	2	250
SHU0381CHAR	960.00	SHU0381TCHAR	1028.00	SHU0381CCHAR	1042.00	SHU0381C24CHAR	1085.00	208	3	250
---	---	SHU0383CTCHAR*	1111.00	SHU0383CCHAR*	1042.00	SHU0383C24CHAR*	1085.00	208	3	250
SHU0321CHAR	960.00	SHU0321TCHAR	1028.00	SHU0321CCHAR	1042.00	SHU0321C24CHAR	1085.00	240/208	3/2.3	250
---	---	SHU0331CTCHAR	1341.00	SHU0331CCHAR	1272.00	SHU0331C24CHAR	1314.00	347	3	250
---	---	SHU0361CTCHAR	1341.00	SHU0361CCHAR	1272.00	SHU0361C24CHAR	1314.00	600	3	250
---	---	SHU0363CTCHAR*	1341.00	SHU0363CCHAR*	1272.00	SHU0363C24CHAR*	1314.00	600	3	250
SHU0481CHAR	968.00	SHU0481TCHAR	1038.00	SHU0481CCHAR	1050.00	SHU0481C24CHAR	1094.00	208	4	250
---	---	SHU0483CTCHAR*	1121.00	SHU0483CCHAR*	1050.00	SHU0483C24CHAR*	1094.00	208	4	250
SHU0421CHAR	968.00	SHU0421TCHAR	1038.00	SHU0421CCHAR	1050.00	SHU0421C24CHAR	1094.00	240/208	4/3	250
---	---	SHU0431CTCHAR	1371.00	SHU0431CCHAR	1301.00	SHU0431C24CHAR	1344.00	347	4	250
---	---	SHU0461CTCHAR	1371.00	SHU0461CCHAR	1301.00	SHU0461C24CHAR	1344.00	600	4	250
---	---	SHU0463CTCHAR*	1371.00	SHU0463CCHAR*	1301.00	SHU0463C24CHAR*	1344.00	600	4	250
---	---	SHU0581TCHAR	1195.00	SHU0581CCHAR	1209.00	SHU0581C24CHAR	1250.00	208	5	450
---	---	SHU0583CTCHAR*	1279.00	SHU0583CCHAR*	1209.00	SHU0583C24CHAR*	1250.00	208	5	450
SHU0521CHAR	1125.00	SHU0521TCHAR	1195.00	SHU0521CCHAR	1209.00	SHU0521C24CHAR	1250.00	240/208	5/3.8	450
---	---	SHU0531CTCHAR	1415.00	SHU0531CCHAR	1346.00	SHU0531C24CHAR	1387.00	347	5	450
---	---	SHU0561CTCHAR	1415.00	SHU0561CCHAR	1346.00	SHU0561C24CHAR	1387.00	600	5	450
---	---	SHU0563CTCHAR*	1416.00	SHU0563CCHAR*	1346.00	SHU0563C24CHAR*	1387.00	600	5	450
---	---	SHU0781CTCHAR	1800.00	SHU0781CCHAR	1731.00	SHU0781C24CHAR	1772.00	208	7.5	700
---	---	SHU0783CTCHAR*	1800.00	SHU0783CCHAR*	1731.00	SHU0783C24CHAR*	1772.00	208	7.5	700
---	---	SHU0721CTCHAR	1800.00	SHU0721CCHAR	1731.00	SHU0721C24CHAR	1772.00	240/208	7.5/5.6	700
---	---	SHU0731CTCHAR	2021.00	SHU0731CCHAR	1952.00	SHU0731C24CHAR	1994.00	347	7.5	700
---	---	SHU0761CTCHAR	2021.00	SHU0761CCHAR	1952.00	SHU0761C24CHAR	1994.00	600	7.5	700
---	---	SHU0763CTCHAR*	2021.00	SHU0763CCHAR*	1952.00	SHU0763C24CHAR*	1994.00	600	7.5	700

* Three-phase unit that can be field-converted to a single phase unit

* Three-phase unit

Models also available in 277 V and 480 V.

--- not available

ACCESSORIES

PRODUCT	DESCRIPTION	PRICE
SHUT1	built-in single pole thermostat (capillary)	83.00
SHUT2	built-in double pole thermostat (capillary)	125.00
SHUFS*	fan switch	63.00
SHUDIS*	disconnect switch [80 A]	179.00
SHUC24RX*	relay kit without transformer 24 V (For all SHU, except SHU0521/SHU0581 VOLTS and less)	130.00
SHUFS-RCV*	remote control circuit for ventilation mode 240 V	63.00

* Factory installed

TECHNICAL SPECIFICATIONS

BUILT-IN THERMOSTAT		240 V CONTROL		24 V CONTROL		VOLTAGE	POWER	FLOW
CODE	PRICE	CODE	PRICE	CODE	PRICE	VOLTS	KW	CFM
SHU1081CTCHAR	1891.00	SHU1081CCHAR	1821.00	SHU1081C24CHAR	1863.00	208	10	700
SHU1083CTCHAR*	1891.00	SHU1083CCHAR*	1821.00	SHU1083C24CHAR*	1863.00	208	10	700
SHU1021CTCHAR	1891.00	SHU1021CCHAR	1821.00	SHU1021C24CHAR	1863.00	240/208	10/7.5	700
SHU1031CTCHAR	2048.00	SHU1031CCHAR	1976.00	SHU1031C24CHAR	2019.00	347	10	700
SHU1061CTCHAR	2048.00	SHU1061CCHAR	1976.00	SHU1061C24CHAR	2019.00	600	10	700
SHU1063CTCHAR*	2048.00	SHU1063CCHAR*	1976.00	SHU1063C24CHAR*	2019.00	600	10	700
SHU1581CTCHAR	2520.00	SHU1581CCHAR	2452.00	SHU1581C24CHAR	2535.00	208	15	1300
SHU1583CTCHAR*	2520.00	SHU1583CCHAR*	2452.00	SHU1583C24CHAR*	2535.00	208	15	1300
SHU1521CTCHAR	2520.00	SHU1521CCHAR	2452.00	SHU1521C24CHAR	2535.00	240/208	15/11.3	1300
SHU1531CTCHAR	2520.00	SHU1531CCHAR	2452.00	SHU1531C24CHAR	2535.00	347	15	1300
SHU1561CTCHAR	2520.00	SHU1561CCHAR	2452.00	SHU1561C24CHAR	2535.00	600	15	1300
SHU1563CTCHAR*	2520.00	SHU1563CCHAR*	2452.00	SHU1563C24CHAR*	2535.00	600	15	1300
SHU2081CTCHAR	2766.00	SHU2081CCHAR	2696.00	SHU2081C24CHAR	2780.00	208	20	1300
SHU2083CTCHAR*	2766.00	SHU2083CCHAR*	2696.00	SHU2083C24CHAR*	2780.00	208	20	1300
SHU2021CTCHAR	2766.00	SHU2021CCHAR	2696.00	SHU2021C24CHAR	2780.00	240/208	20/15	1300
SHU2031CTCHAR	2766.00	SHU2031CCHAR	2696.00	SHU2031C24CHAR	2780.00	347	20	1300
SHU2063CTCHAR*	2766.00	SHU2063CCHAR*	2696.00	SHU2063C24CHAR*	2780.00	600	20	1300
SHU2583CTCHAR*	3187.00	SHU2583CCHAR*	3117.00	SHU2583C24CHAR*	3200.00	208	25	1300
SHU2563CTCHAR*	3187.00	SHU2563CCHAR*	3117.00	SHU2563C24CHAR*	3200.00	600	25	1300
SHU3083CTCHAR*	3245.00	SHU3083CCHAR*	3174.00	SHU3083C24CHAR*	3258.00	208	30	1400
SHU3063CTCHAR*	3245.00	SHU3063CCHAR*	3174.00	SHU3063C24CHAR*	3258.00	600	30	1400
SHU4063CTCHAR*	4256.00	SHU4063CCHAR*	4186.00	SHU4063C24CHAR*	4326.00	600	40	2100
SHU5063CTCHAR*	4531.00	SHU5063CCHAR*	4460.00	SHU5063C24CHAR*	4600.00	600	50	2100
SHU6063CTCHAR*	4976.00	SHU6063CCHAR*	4907.00	SHU6063C24CHAR*	5045.00	600	60	2100

* Three-phase unit that can be field-converted to a single phase unit.

* Three-phase unit

--- not available

Models also available in 277 V and 480 V.

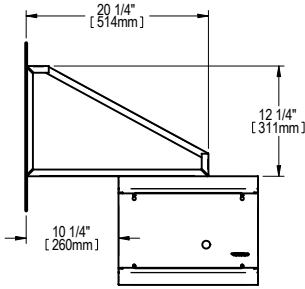
THROW DISTANCE AND HEAT RISE

UNITS	THROW DISTANCE		HEAT RISE	
	KW	M	FT.	°C
2	8.5	28	17	31
3	8.5	28	35	62
4	8.5	28	52	93
5	9.4	31	55	99
7.5	9.4	31	54	97
10	9.4	31	85	153
15	10.7	35	52	93
20	11.3	37	89	160
25	10.2	33'6"	133	240
30	10.7	35	135	243
40	10.7	35	132	237
50	10.7	35	141	254
60	10.7	35	156	280

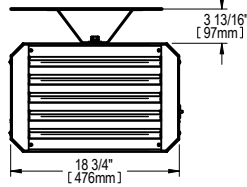
TECHNICAL DRAWINGS

2 KW TO 10 KW UNITS

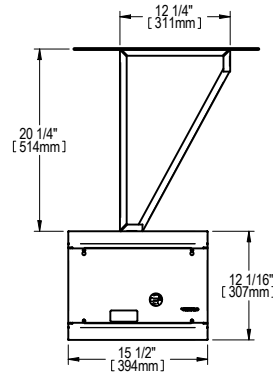
weight: approx. 40 lb (18 kg)



LEFT SIDE



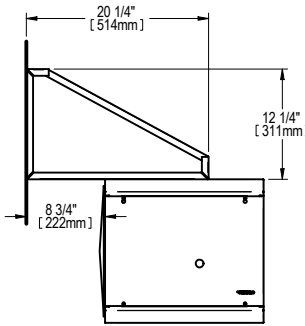
FRONT



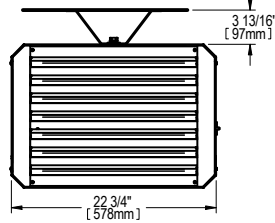
RIGHT SIDE

15 KW TO 30 KW UNITS

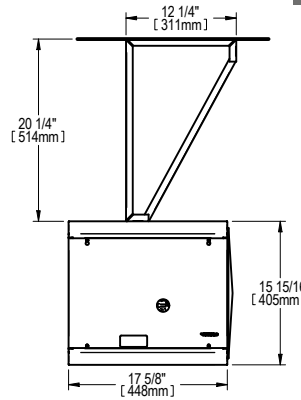
weight: approx. 67 lb (30 kg)



LEFT SIDE



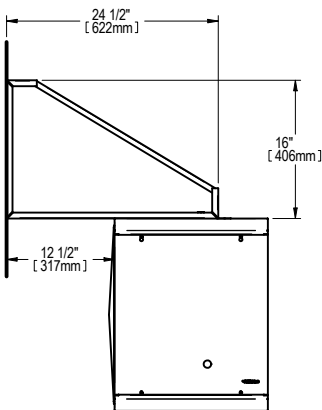
FRONT



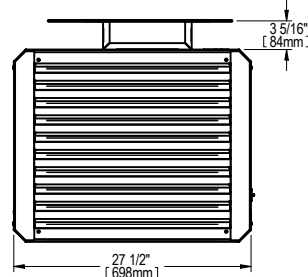
RIGHT SIDE

40 KW TO 60 KW UNITS

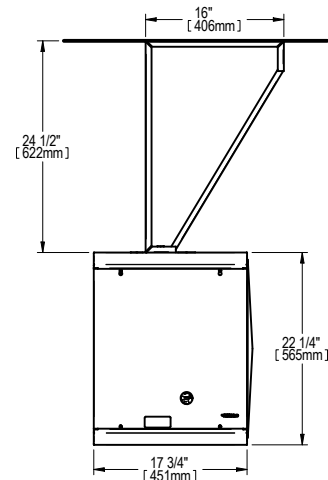
weight: approx. 100 lb (45 kg)



LEFT SIDE



FRONT



RIGHT SIDE