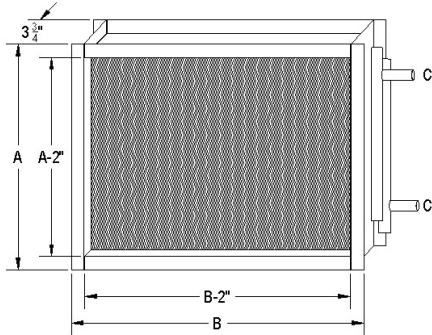




2 Row Hot Water Duct Coils



- Built to ARI 410 Certification
- Galvanized Steel 16 Ga. frame
- Aluminum Fins, .006 thickness
- Copper Tubing, 1/2" w/ .017 wall
- Max 500 PSI Operating Pressure
- Max 2500 PSI Ultimate Pressure
- BTU outputs from 16,000 to 233,000
- Horizontal/Vertical Installation
- Full one year warranty
- Call for other performance criteria ratings

Part Number	GPM	CFM	140 EWT	180 EWT	APD	A	B	C
H2O-2-1215-03	4	400	16,164	25,611	0.07	14.5	17	7/8 OD
		600	20,593	32,038	0.14			
		800	23,990	37,442	0.23			
	WPD'		1.69'	1.58'				
H2o-2-1218-03	4	600	21,896	34,016	0.1	14.5	20	7/8 OD
		800	25,669	39,970	0.17			
		1000	28,718	44,805	0.25			
	WPD'		1.87'	1.74'				
H2O-2-1224-03	4	800	28,303	43,927	0.1	14.5	26	7/8 OD
		1000	31,874	49,562	0.15			
		1200	34,856	54,281	0.21			
	WPD'		2.21'	2.06'				
H2O-2-1520-04	6	1000	33,843	52,612	0.15	17	22	7/8 OD
		1200	37,317	58,103	0.21			
		1400	40,327	62,879	0.27			
	WPD'		2.48'	2.33'				
H2O-2-1524-04	6	1200	39,816	61,866	0.15	17	26	7/8 OD
		1400	43,155	67,145	0.2			
		1600	46,098	71,796	0.25			
	WPD'		2.73'	2.56'				
H2O-2-1530-04	6	1400	46,590	72,317	0.14	17	32	7/8 OD
		1600	49,919	77,557	0.17			
		1800	52,882	82,228	0.21			
	WPD'		3.11'	2.91'				



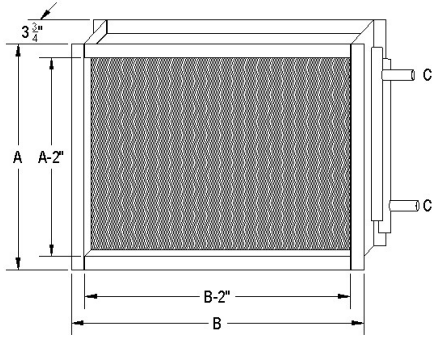
Performance data based on 65° EAT,

D-VAC Sales Inc.

www.dvachvac.com TEL: (516) 256-3131 e-mail: sales@dvachvac.com
 HQ: Massapequa, NY Warehouse: Monticello, NY Brooklyn, NY Valley Stream, NY



2 Row Hot Water Duct Coils



- Built to ARI 410 Certification
- Galvanized Steel 16 Ga. frame
- Aluminum Fins, .006 thickness
- Copper Tubing, 1/2" w/ .017 wall
- Max 500 PSI Operating Pressure
- Max 2500 PSI Ultimate Pressure
- BTU outputs from 16,000 to 233,000
- Horizontal/Vertical Installation
- Full one year warranty
- Call for other performance criteria ratings

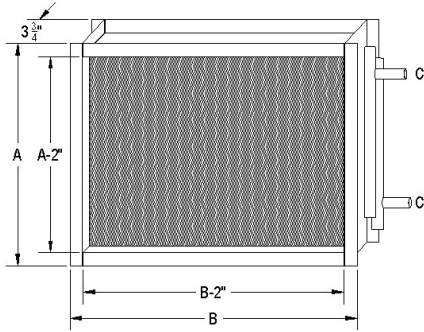
Part Number	GPM	CFM	140 EWT	180 EWT	APD	A	B	C
H2O-2-1718-06	7	1000	34,113	53,172	0.14	19.5	20	7/8 OD
		1200	37,635	58,769	0.19			
		1400	40,684	63,642	0.25			
	WPD'		1.68'	1.6'				
H2O-2-1724-06	7	1400	45,374	70,715	0.15	19.5	26	7/8 OD
		1600	48,578	75,801	0.19			
		1800	51,435	80,346	0.23			
	WPD'		1.36'	1.27'				
H2O-2-1730-06	7	1800	55,854	87,014	0.16	19.5	32	7/8 OD
		2000	58,788	91,656	0.19			
		2200	61,451	95,882	0.23			
	WPD'		1.55'	1.45'				
H2O-2-2020-08	8	1400	37,664	60,795	0.17	22	22	7/8 OD
		1600	39,835	64,510	0.21			
		1800	41,727	67,772	0.25			
	WPD'		1.92'	1.8'				
H2O-2-2025-08	8	1600	51,772	80,799	0.14	22	27	7/8 OD
		1800	54,957	85,875	0.17			
		2000	57,842	90,478	0.21			
	WPD'		1.78'	1.71'				
H2O-2-2030-08	8	2000	61,934	96,635	0.15	22	32	1 1/8 OD
		2200	64,848	101,286	0.18			
		2400	67,521	105,552	0.21			
	WPD'		1.20'	1.13'				

Performance data based on 65° EAT,





2 & 3 Row Hot Water Duct Coils



- Built to ARI 410 Certification
- Galvanized Steel 16 Ga. frame
- Aluminum Fins, .006 thickness
- Copper Tubing, 1/2" w/ .017 wall
- Max 500 PSI Operating Pressure
- Max 2500 PSI Ultimate Pressure
- BTU outputs from 16,000 to 233,000
- Horizontal/Vertical Installation
- Full one year warranty
- Call for other performance criteria ratings

Part Number	GPM	CFM	140 EWT	180 EWT	APD	A	B	C
H2O-2-2324-14	10	2000	59,830	93,981	.17	25.75	26	1 1/8 OD
		2200	62,609	98,459	.20			
		2400	65,147	102,560	.23			
	WPD'		0.87'	0.84'				
H2O-2-2336-14	15	3000	94,560	147,626	.17	25.75	38	1 3/8 OD
		3300	99,212	155,037	.20			
		3600	103,496	161,869	.23			
	WPD'		1.32'	1.25'				
H2O-2-2348-14	20	4000	136,297	212,165	0.17	25.75	50	1 3/8 OD
		4400	143,409	223,426	0.2			
		4800	149,980	233,848	0.23			
	WPD'		2.57'	2.44'				
H2O-3-1520-06	6	600	29,953	46,406	.10	17	22	7/8 OD
		800	36,197	56,220	.16			
		1000	41,398	64,442	.23			
	WPD'		1.52	1.44				
H2O-3-2020-08	7	1000	45,259	70,329	.14	22	22	7/8 OD
		1200	50,488	78,618	.19			
		1400	55,053	85,860	.25			
	WPD'		1.55	1.48				
H2O-3-2025-08	8	1400	60,688	94,261	.17	22	27	7/8 OD
		1600	65,525	101,961	.21			
		1800	69,943	108,900	.26			
	WPD'		2.15	2.05				

Performance data based on 65° EAT,

