

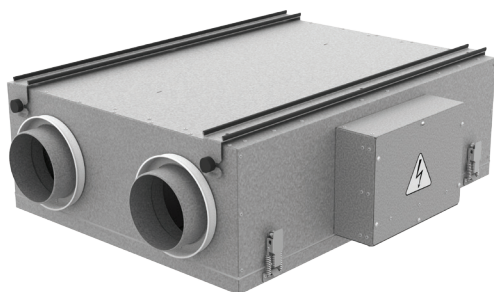


PRODUCT SPECIFICATIONS

TECHNICAL DATA

AZ-ERV-F120

ENERGY RECOVERY VENTILATION



DESCRIPTION

AZ-ERV-F120 are the complete whole house ventilation system designed to bring a continuous supply of fresh air into the house while exhausting an equal amount of stale air. Five year warranty.

CASING

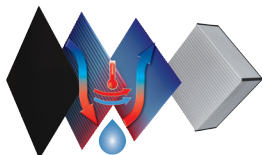
- Steel casing is covered with high-quality multilayer aluminium and zinc alloy to prevent corrosion.
- The casing is equipped with a switch to turn the ventilator off when the service panel is opened.

AIR FILTRATION

- Washable MERV 6 air filters in exhaust and supply air streams.
- Optional supply: anti grease aluminum filter.

ENERGY RECOVERY CORE

Enthalpic core provides both heat&humidity recovery. For enthalpic core no drain required.



FANS

The unit is equipped with supply and exhaust centrifugal fans with forward curved blades and build-in thermal overheating protection with automatic restart. The electric motors and impellers are dynamically balanced.

DEFROST SYSTEM

Recirculation or only exhaust defrost modes are available.

CONSTANT FLOW

AZ-ERV-F120 has an automatic constant air flow control function to keep the air flow in supply and exhaust air ducts constant even in case of variable air resistance.

This function is provided with the integrated air flow control units. The electronic sensors convert the actual air flow to the analogue signal that is proportional to the air flow in the air duct. These signals are transmitted to the controller that controls the rotation speed of a respective fan in such a way that the actual rotations speed is equal to the set value.

MANUAL BALANCING

Manual balancing is a standard balancing system. Fan speed manually adjusted by operating on units controller (Built-in control panel with independent fan speed adjustment 0%-100%).

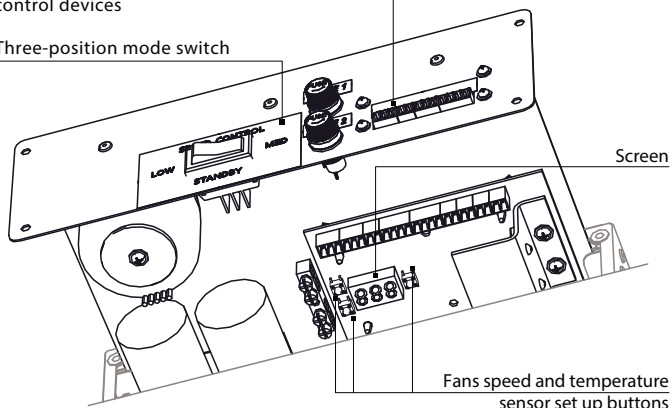
CONTROL BOARD

The unit incorporates an integrated control system with following functions:

- Operation mode switch.
- Airflow balancing enabled by supply and exhaust fan independent speed adjustment from 0 to 100% (percentage is displayed on built in screen).
- Automatic recovery core frost protection.
- External control device connection (up to 5 at the same time).

Terminals to connect external control devices

Three-position mode switch



SUITABLE FOR:

Bathroom / kitchen / apartments / cottages / small offices.

sales@dvachvac.com
www.dvachvac.com
200B Verdi Street
Farmingdale NY 11735
Telephone: 516-256-3131



AZ-ERV-F120

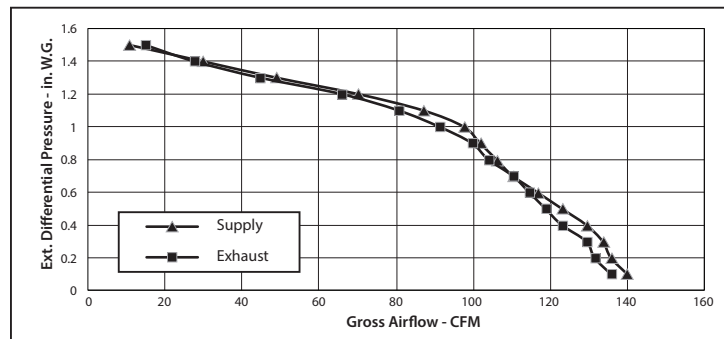
PRODUCT SPECIFICATIONS

TECHNICAL DATA

ENERGY RECOVERY VENTILATION

PERFORMANCE

| EXTERNAL STATIC PRESSURE | | NET SUPPLY AIR FLOW | | GROSS AIR FLOW | | | | POWER |
|--------------------------|----------|---------------------|-----|----------------|-----|---------|-----|-------|
| | | | | SUPPLY | | EXHAUST | | |
| Pa | in. W.G. | L/s | CFM | L/s | CFM | L/s | CFM | Watts |
| 25 | 0.1 | 63 | 134 | 66 | 140 | 64 | 136 | 156 |
| 50 | 0.2 | 61 | 130 | 64 | 136 | 62 | 131 | 155 |
| 75 | 0.3 | 60 | 128 | 63 | 133 | 61 | 129 | 153 |
| 100 | 0.4 | 59 | 124 | 61 | 129 | 58 | 123 | 152 |
| 125 | 0.5 | 56 | 118 | 58 | 123 | 56 | 119 | 151 |
| 150 | 0.6 | 53 | 112 | 55 | 117 | 54 | 114 | 149 |
| 175 | 0.7 | 50 | 106 | 52 | 110 | 52 | 110 | 147 |
| 200 | 0.8 | 48 | 102 | 50 | 106 | 49 | 104 | 146 |
| 225 | 0.9 | 46 | 98 | 48 | 102 | 47 | 100 | 145 |
| 250 | 1 | 44 | 94 | 46 | 97 | 43 | 91 | 143 |
| 275 | 1.1 | 39 | 83 | 41 | 87 | 38 | 81 | 140 |
| 300 | 1.2 | 32 | 67 | 33 | 70 | 31 | 66 | 135 |
| 325 | 1.3 | 22 | 47 | 23 | 49 | 21 | 44 | 130 |
| 350 | 1.4 | 13 | 28 | 14 | 30 | 13 | 28 | 127 |
| 375 | 1.5 | 7 | 14 | 5 | 11 | 7 | 15 | 126 |



| MODEL | Volts | Max. Watts | Max. Amps |
|-----------|------------|------------|-----------|
| ERV 120 R | 120V, 60Hz | 156 | 1.3 |

SOUND
1.5 Sones (30 L/s @ 0.2 in. W.G.)

| MODE | SUPPLY TEMPERATURE | | NET AIR FLOW | | AVERAGE POWER | SENSIBLE RECOVERY EFFICIENCY | APPARENT SENSIBLE EFFECTIVENESS | NET MOISTURE TRANSFER |
|------------------------------|--------------------|----|--------------|-----|---------------|------------------------------|---------------------------------|-----------------------|
| | °C | °F | L/s | CFM | (Watts) | SRE (%) | ASEF (%) | |
| HEATING | 0 | 32 | 30 | 64 | 85 | 63 | 74 | 0.42 |
| | 0 | 32 | 45 | 95 | 114 | 60 | 70 | 0.36 |
| | 0 | 32 | 50 | 106 | 128 | 59 | 69 | 0.34 |
| ** Total Recovery Efficiency | | | | | | | | |
| COOLING | 35 | 95 | 30 | 64 | 85 | 40 ** | 62 | 0.34 |

** Indicates total recovery efficiency, not sensible recovery efficiency

sales@dvachvac.com
www.dvachvac.com
200B Verdi Street
Farmingdale NY 11735
Telephone: 516-256-3131



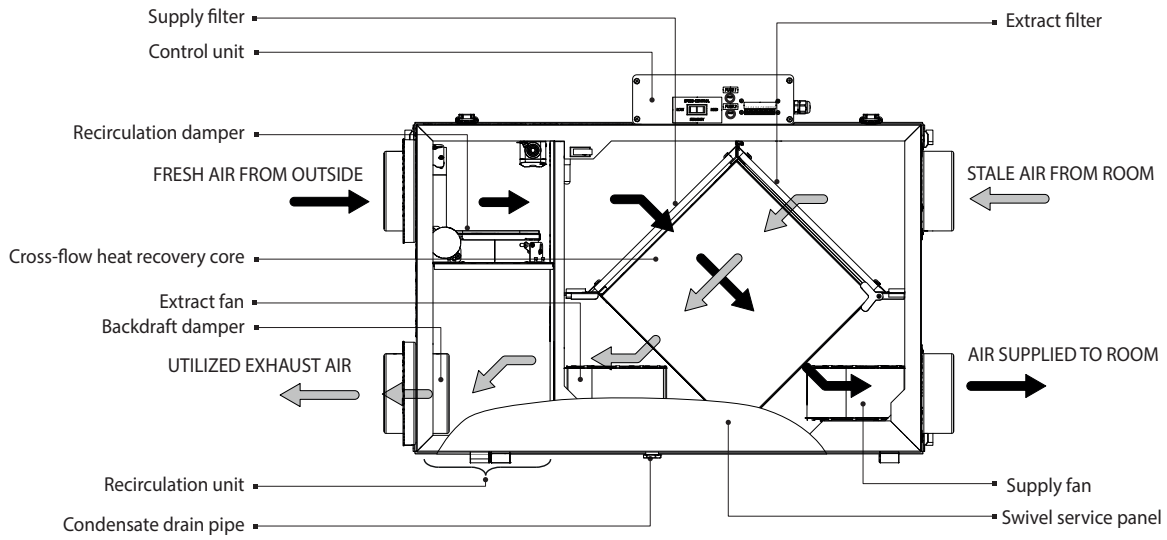
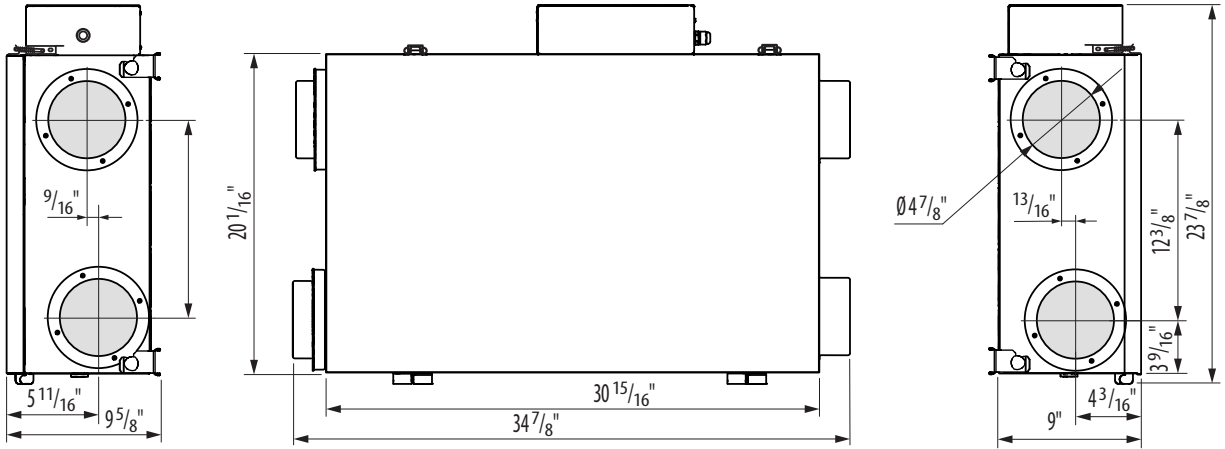
PRODUCT SPECIFICATIONS

TECHNICAL DATA

AZ-ERV-F120

ENERGY RECOVERY VENTILATION

DIMENSIONS



| MODEL | QUANTITY | COMMENTS | PROJECT |
|-------|----------|----------|---------------|
| | | | location: |
| | | | architect: |
| | | | engineer: |
| | | | contractor: |
| | | | submitted by: |

sales@dvachvac.com
 www.dvachvac.com
 200B Verdi Street
 Farmingdale NY 11735
 Telephone: 516-256-3131