



Datasheet

Terminal Box (AZPL-TUB)

Description

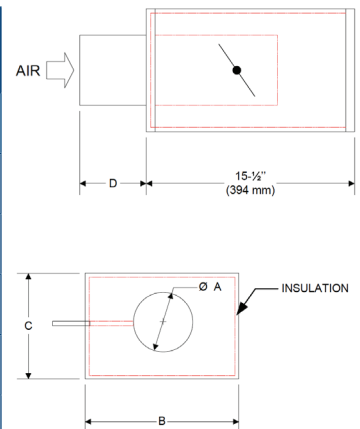
The AZPL-TUB series boxes are terminal boxes designed for variable air volume applications (with or without flow sensor). Also available with the AZPL-FSD. Please refer to the AZPL-FSD Datasheet.

Characteristics

- Galvanized steel housing, satin finish, 0.8 mm (22 gauge)
- 12.5 mm (1/2") internal fiberglass acoustic insulation covered with an acrylic layer and fiberglass reinforcement. The insulation complies with the following standards: NFPA-90A & 90B, SMACNA, Can/ULC S102-M88 and CGSB 51-GP-11M
- Single blade, dual sensity control damper with Polyolefin insulation seal
- "S" shaped output joint
- 12.5 mm (1/2") shaft compatible with most actuators

Technical Specifications

Model	Air Flow CFM (l/s)	Velocity FPM (m/s)	A Inlet Diameter	B Width	C Height	D Lenght	Weight LBS (kg)
AZPL-TUB05	130 (60)	953 (4.84)	5" (127mm)	12" (305mm)	8" (203mm)	6.25" (158.75mm)	13 (5.90)
AZPL-TUB06	200 (95)	1019 (5.18)	6" (152mm)	12" (305mm)	8" (203mm)	6.25" (158.75mm)	14 (6.35)
AZPL-TUB07	275 (130)	1029 (5.23)	7" (178mm)	12" (305mm)	8" (203mm)	6.25" (158.75mm)	15 (6.80)
AZPL-TUB08	350 (165)	1003 (5.10)	8" (203mm)	12" (305mm)	10" (254mm)	6.25" (158.75mm)	16 (7.26)
AZPL-TUB09	450 (210)	1019 (5.18)	9" (229mm)	12" (305mm)	10" (254mm)	6.25" (158.75mm)	16 (7.26)
AZPL-TUB10	550 (260)	1008 (5.12)	10" (254mm)	14" (356mm)	12" (305mm)	6.25" (158.75mm)	19 (8.62)
AZPL-TUB12	800 (375)	1019 (5.18)	12" (305mm)	14" (356mm)	12" (305mm)	6.25" (158.75mm)	23 (10.43)
AZPL-TUB14	1100 (520)	1029 (5.23)	14" (356mm)	16" (406mm)	15" (381mm)	6.25" (158.75mm)	29 (13.15)
AZPL-TUB16	1400 (660)	1003 (5.10)	16" (406mm)	20" (508mm)	18" (457mm)	8" (203mm)	34 (15.42)
AZPL-TUB18	1800 (849)	1018 (5.17)	18" (457mm)	22" (559mm)	20" (508mm)	10" (254mm)	40 (18.14)
AZPL-TUB20	2200 (1038)	1008 (5.12)	20" (508mm)	24" (610mm)	22" (559mm)	10.5" (266.7mm)	45 (20.41)
AZPL-TUB22	2600 (1227)	985 (5.00)	22" (559mm)	26" (660mm)	24" (610mm)	14" (356mm)	51 (23.13)



HVAC Manufacturer's Representative

All Rights Reserved To D-VAC Sales Inc.
 Sales@Dvachvac.com
 516-256-3131