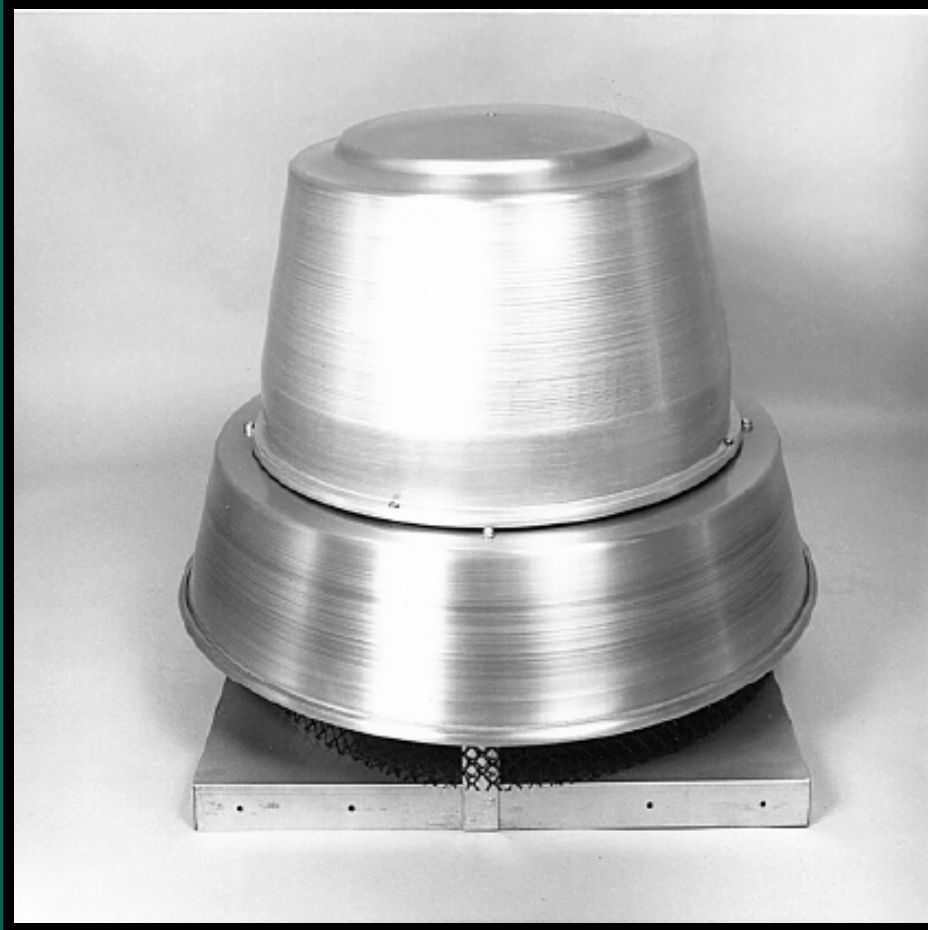




AMERICAN COOLAIR CORPORATION



Centrifugal Power Roof Ventilators

TYPE CRBCA - BELT DRIVE

TYPE CRBA - BELT DRIVE

TYPE CRDA - DIRECT DRIVE

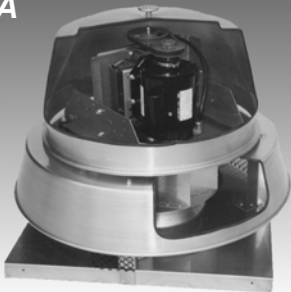
TABLE OF CONTENTS

CRBCA



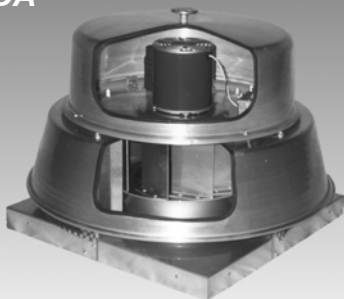
*Sizes 06 to 24
Flow rates from
185 to 10,3280 CFM
and 2" Static Pressure*

CRBA



*Sizes 06 to 52
Flow rates from
185 to 43,962 CFM
and 2" Static Pressure*

CRDA



*Sizes 06 to 20
Flow rates from
162 to 5,730 CFM
and 1" Static Pressure*

BELT DRIVE FANS

CRBCA and CRBA

- Dimensional Data 3
- Fan Description - CRBCA 4
- ILG's "C-Drive" 5
- Fan Description - CRBA 6
- Performance - 06-10 7
- Performance - 12 8
- Performance - 13 9
- Performance - 15 10
- Performance - 16 11
- Performance - 18 12
- Performance - 20 13
- Performance - 24 14
- Performance - 30 15
- Performance - 36 16
- Performance - 44 17
- Performance - 52 18

DIRECT DRIVE FANS

CRDA

- Dimensional Data 3
- Fan Description 19
- Performance - 06-10 20
- Performance - 12-13 21
- Performance - 15-20 22

- Installation & Accessories 23
- Specification Checklist 24

STANDARD FEATURES

CRBCA, CRBA and CRDA Units

Weather-resistant aluminum motor compartment cover removes easily for access to motor and drives.

Out-of-airstream open motors are isolated for protection from exhaust airstream.

Aluminum centrifugal wheel is non-overloading, backward inclined design with state-of-the-art computerized balance.

Overlapping wheel and deep-spun venturi minimize noise and air turbulence, increasing efficiency.

Wheel balance weights are permanently affixed to assure vibration-free operation.

Wheel backplate fins cool the motor compartment, extending motor life.

Birdscreen is 1/2" galvanized mesh

AMCA Seal assures certified rating of air and sound performance.

UL Listed for Standard 705.

CRBCA and CRBA

Factory-wired disconnect switch is an available option.

Belt drive with adjustable motor pulley for flexibility to match operating requirements.

Hinged motor bracket with tensioning bolt(s) facilitates maintenance of belt tension.

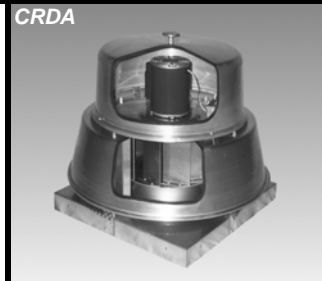


CRDA

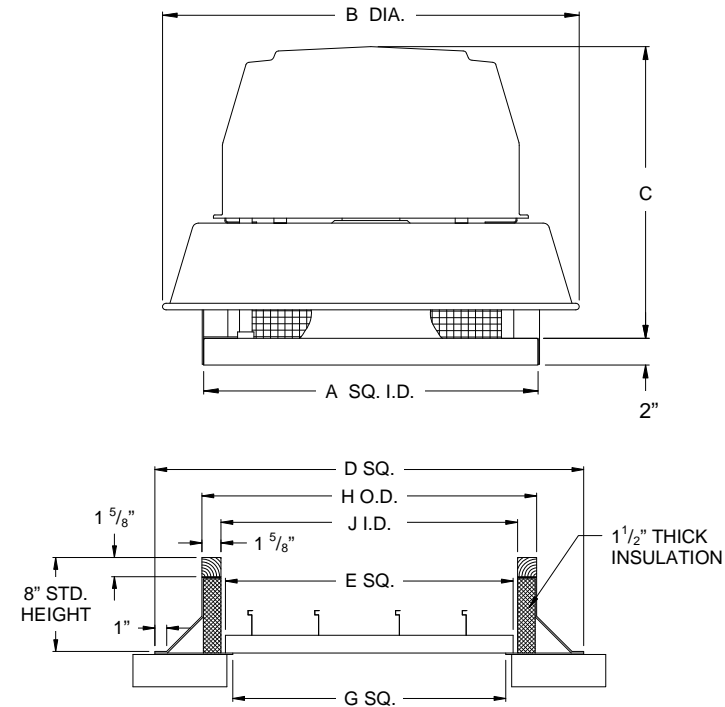
Factory-wired disconnect device for standard motors.

Direct-drive assembly reduces maintenance and operating costs.

Variable speed control available on some models.



CRBCA, CRBA and CRDA Ventilator, Roof Curb and Damper Dimensions



Unit	Ventilator Dimensions			Roof Curb and Damper Dimensions				
	A	B	C	D	E	G	H	J
CRBA & CRBCA 06, 08, 10	18	23 1/8	20 1/2	24 1/2	12 3/4	11 1/4	16 1/2	13 1/4
CRDA 06, 08, 10	18	23 1/8	12	24 1/2	12 3/4	11 1/4	16 1/2	13 1/4
CRBA & CRBCA 12, 13, 15 CRDA 12J17, 13K17 & 15L17	23	28 5/8	22 1/2	29 1/2	17 3/4	16 1/4	21 1/2	18 1/4
CRDA 12E10, 12J16, 13F11, 13J15, 15H10 & 15K15	23	28 5/8	16 1/2	29 1/2	17 3/4	16 1/4	21 1/2	18 1/4
CRBA, CRBCA & CRDA 16, 18, 20	30	35 1/2	24 5/8	36 1/2	24 3/4	23 1/4	28 1/2	25 1/4
CRBA & CRBCA 24	34	42 3/4	32 1/2	40 1/2	28 3/4	27 1/4	32 1/2	29 1/4
CRBA 30	40	50 1/4	36 3/4	46 1/2	34 3/4	33 1/4	38 1/2	35 1/4
CRBA 36	46	61 3/4	44 1/4	52 1/2	40 3/4	39 1/4	44 1/2	41 1/4
CRBA 44	56	71 1/4	49	62 1/2	50 3/4	49 1/4	54 1/2	51 1/4
CRBA 52	65	83 3/4	55 1/2	71 1/2	59 3/4	58 1/4	63 1/2	60 1/4

Dimensions in inches

CRBCA

Belt Drive Centrifugal Power Roof Ventilators

Applications

The CRBCA units are quiet, dependable power roof ventilators recommended for a wide range of general exhaust applications where low and medium ranges of air volume and pressure are specified. Applications include virtually all types of light manufacturing, commercial and institutional buildings such as shopping centers, hospitals, schools, hotels, office and apartment buildings, warehouses, airports, bus terminals and many others.

CRBCA units are specified where a roof-mounted location is desired to eliminate interference with other equipment or activities in the building. They permit the direct upward venting of air. CRBCA units may be used with or without ducts.

The advantages of a CRBCA belt-drive over a direct-drive roof ventilator include quieter operation and adjustable performance to meet operating needs.

Construction

CRBCA models feature a housing of durable spun aluminum for optimum weather protection. The overlapping deep-spun venturi minimizes air turbulence and increases efficiency.

The aluminum centrifugal wheel is a non-overloading, backward-inclined type, selected for low noise levels. Backplate fins draw cool air through the motor compartment. The wheel is secured to the machined aluminum "C-Drive" disc, and computer balanced on state-of-the-art equipment.

Neoprene vibration isolators to reduce noise and wear, and 1/2" galvanized mesh birdscreen are both standard.

Drive Mechanism

The belt driven CRBCA utilizes a unique bearing/shaft arrangement that has been designated the "C-Drive". This "C-Drive" is patterned after American Coolair's unique static shaft drive design that has been in existence for over eighty years, serving the general ventilation markets with reliable propeller products. This type of drive uses a captured bearing arrangement inside a cast aluminum disc assembly locked to a short, large diameter shaft. The shaft is held stationary and the centrifugal wheel/disc assembly rotates on the shaft instead of the entire assembly rotating.

As a result of reduction of radial loading of the bearings, the calculated L10 bearing life exceeds 1,000,000 hours or an average bearing life of 5,000,000 hours. Most other manufacturers' turning shaft drive designs result in cataloged average bearing life of 150,000-200,000 hours. Additionally, the machined surface of the "C-Drive" provides a rigid backplate for the centrifugal wheel. Electrical connections on the end of the motor face upwards making field connections rapid and simple. This compact drive assembly provides more room in the motor compartment area and the single bolt, V-belt adjustment makes for a very serviceable unit.

Motors

The standard motor for CRBCA models is open drip-proof construction, and located out of the airstream. Totally enclosed, energy efficient, two-speed and explosion-proof motors may also be available. All motor brands are recognized and serviced nationwide. Motor enclosure may affect UL Listing.



UL705 - E39944

Type CRBCA ventilators are Listed by Underwriters Laboratory Inc. to US and Canadian safety standards.



American Coolair Corporation, ILG Industries certifies that the Type CRBCA PRVs shown herein are licensed to bear the AMCA Seal. The ratings shown are based on tests and procedures performed in accordance with AMCA Publication 211 and AMCA Publication 311 and comply with the requirements of the AMCA Certified Ratings Program.

Guide Specifications

Power Roof Ventilators shall be of the CRBCA centrifugal type as manufactured by ILG Industries of American Coolair Corporation (individual models to be listed in fan schedule). Units shall meet UL Standard 705 and shall bear the AMCA Certified Ratings Seal for air and sound performance. Base and venturi inlet shall be one piece heavy gauge spun aluminum or galvanized steel, with wheel and venturi overlapping for efficient operation. Motor compartment cover shall be heavy gauge aluminum construction and easily removable for access to motor and drive.

Drive construction shall be of the ILG "C-Drive" design consisting of static shaft/bearing arrangement mounted in a machined cast aluminum disc assembly. The disc assembly shall be mounted onto the backplate of the centrifugal wheel. The centrifugal wheel shall be heavy gauge aluminum with backward-inclined, non-overloading blades and be computer balanced.

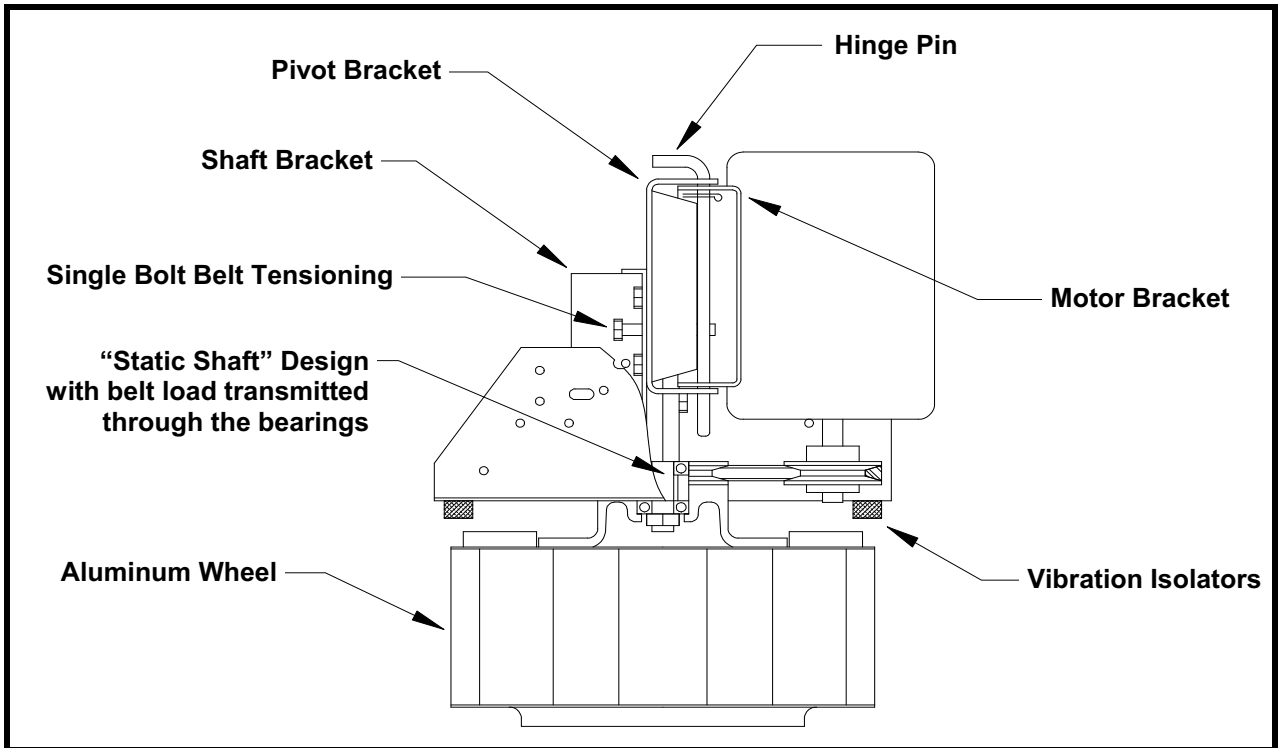
Bearings shall have a calculated L10 bearing life in excess of 1,000,000 hours.

Motor shall be open drip-proof construction, NEMA design B with minimum service factor of 1.15. Adjustable motor pulley shall be provided to allow for field adjustment and system balance. Motor shall be mounted on a hinged steel mounting bracket, utilizing a belt tensioning bolt. Motor shall be mounted with the shaft down to allow easy access to the electrical wiring terminal board/circuit box.

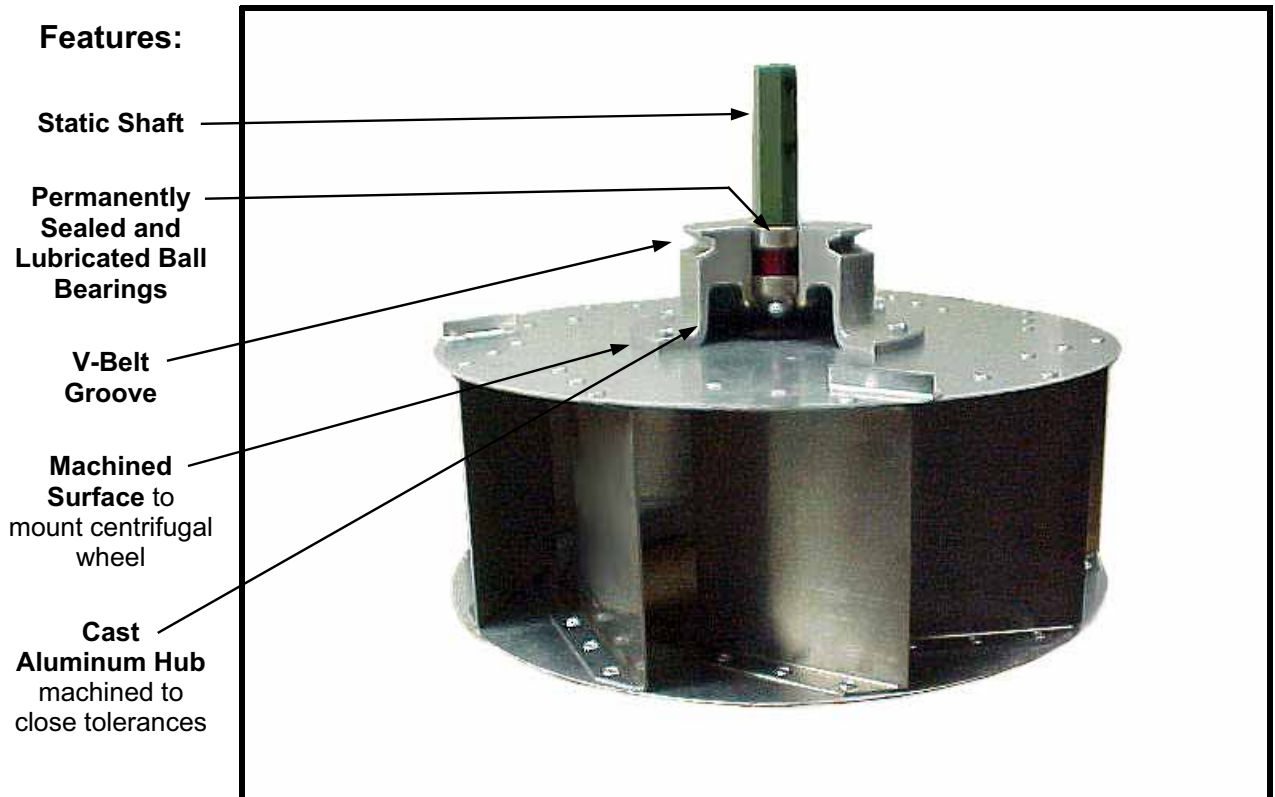
(Mounted and wired disconnect switch, backdraft damper, epoxy coating, roof curb and other accessories shall be listed in the fan schedule.)

ILG's "C-Drive"

Available Exclusively on CRBCA Units Sizes 06 - 24



ILG's "C-Drive" Wheel Assembly



CRBA

Belt Drive Centrifugal Power Roof Ventilators

Applications

The CRBA units are quiet, dependable power roof ventilators recommended for a wide range of general exhaust applications where low, medium and high ranges of air volume and pressure are specified. Applications include virtually all types of light manufacturing, commercial and institutional buildings such as shopping centers, hospitals, schools, hotels, office and apartment buildings, warehouses, airports, bus terminals and many others.

CRBA units are specified where a roof-mounted location is desired to eliminate interference with other equipment or activities in the building. They permit the direct upward venting of air. CRBA units may be used with or without ducts.

The advantages of a CRBA belt-drive over a direct-drive roof ventilator include quieter operation and adjustable performance to suit operating needs and availability of larger volume units.

Construction

CRBA models feature a housing of durable spun aluminum for optimum weather protection. The overlapping deep-spun venturi minimizes air turbulence and increases efficiency.

The aluminum centrifugal wheel is a non-overloading, backward-inclined type, selected for low noise levels. Backplate fins draw cool air through the motor compartment. The wheel is secured to the machined aluminum hub, and computer balanced on state-of-the-art equipment.

Neoprene vibration isolators to reduce noise and wear, and 1/2" galvanized mesh birdscreen are both standard.

Drive Mechanism

The belt driven CRBA utilizes a standard V-belt drive design with variable pitch cast iron pulley for adjusting fan speed. Drive shaft is turned, ground and polished. Motor support is adjustable for proper tensioning.

Bearings

Heavy duty pillow-block ball bearings with cast iron housing are self-aligning and relubricable.

Motors

The standard motor for CRBA models is open drip-proof construction, located out of the airstream. Totally enclosed, energy efficient, two-speed and explosion-proof motors may also be available. All motor brands are recognized and serviced nationwide. Motor enclosure may affect UL Listing.



UL705 - E39944

Type CRBA ventilators are Listed by Underwriters Laboratory Inc. to US and Canadian safety standards.



American Coolair Corporation, ILG Industries certifies that the Type CRBA PRVs shown herein are licensed to bear the AMCA Seal. The ratings shown are based on tests and procedures performed in accordance with AMCA Publication 211 and AMCA Publication 311 and comply with the requirements of the AMCA Certified Ratings Program.

Guide Specifications

Power Roof Ventilators shall be of the CRBA centrifugal type as manufactured by ILG Industries of American Coolair Corporation (individual models to be listed in fan schedule). Units shall meet UL Standard 705 and shall bear the AMCA Certified Ratings Seal for air and sound performance. Base and venturi inlet shall be one piece heavy gauge spun aluminum or galvanized steel, with wheel and venturi overlapping for efficient operation. Motor compartment cover shall be heavy gauge aluminum construction and easily removable for access to motor and drive.

Drive mechanism shall incorporate a V-belt drive with cast iron motor pulley. Drive shaft shall be turned, ground and polished. The centrifugal wheel shall be heavy gauge aluminum with backward-inclined, non-overloading blades and be computer balanced.

Bearings shall be self-aligning and have fittings for relubrication.

Motor shall be open drip-proof construction, NEMA design B with minimum service factor of 1.15. Adjustable motor pulley shall be provided to allow for field adjustment and system balance. Motor shall be mounted on a hinged steel mounting bracket, utilizing belt tensioning bolt(s).

(Mounted and wired disconnect switch, backdraft damper, epoxy coating, roof curb and other accessories shall be listed in the fan schedule.)

CRBCA / CRBA 06-10 Performance Data

CRBCA06 / CRBA06																			CFM at Static Pressure				RPM Range				RPM
0.00		.125		.250		.375		.500		.625		.750		1.00		1.25		1.50		Motor HP							
BHP	Sone	BHP	Sone	BHP	Sone	BHP	Sone	BHP	Sone	BHP	Sone	BHP	Sone	BHP	Sone	BHP	Sone	BHP	Sone	BHP	Sone	1/5	1/4 L	1/4 M	1/4 H		
279		206																			CRBCA ONLY					846	
0.01	1.5	0.01	0.8																								1041
343		289		216																							1135
0.02	2.9	0.02	2.5	0.02	1.9																						1360
374		325		263		185																					1646
0.03	3.7	0.03	3.2	0.03	2.8	0.03	2.3																				1789
448		406		362		308		240																			2076
0.04	5.6	0.05	5.1	0.05	4.8	0.05	4.3	0.05	4.0																		2219
542		505		475		435		391		342																	
0.08	8.6	0.08	8.2	0.09	7.8	0.09	7.6	0.09	7.0	0.09	6.6																
589		555		526		495		455		414		366															
0.10	10.4	0.11	10.0	0.11	9.5	0.11	9.5	0.11	9.2	0.12	8.4	0.11	8.1														
684		653		628		603		575		541		506		429													
0.16	14.4	0.16	14.0	0.17	13.6	0.17	13.3	0.18	13.4	0.18	13.0	0.18	12.2	0.18	11.5												
731		702		677		655		631		602		569		503		419											
0.20	16.0	0.20	15.6	0.20	15.3	0.21	14.9	0.21	15.0	0.22	14.8	0.22	14.7	0.22	13.4	0.21	12.9										

CRBCA08 / CRBA08																			CFM at Static Pressure				RPM Range				RPM
0.00		.125		.250		.375		.500		.625		.750		1.00		1.25		1.50		Motor HP							
BHP	Sone	BHP	Sone	BHP	Sone	BHP	Sone	BHP	Sone	BHP	Sone	BHP	Sone	BHP	Sone	BHP	Sone	BHP	Sone	BHP	Sone	1/5	1/4 L	1/4 M	1/4 H		
367		290																			CRBCA ONLY					846	
0.01	1.6	0.01	1.3																								1041
451		393		321																							1135
0.02	3.2	0.02	2.9	0.03	2.8																						1360
492		439		376		280																					1646
0.03	4.0	0.03	3.7	0.03	3.7	0.03	3.4																				1789
590		545		499		444		373																			2076
0.04	6.1	0.05	5.8	0.05	5.7	0.06	5.6	0.06	5.4																		2219
714		676		640		601		555		508		439															
0.08	9.4	0.08	9.3	0.09	8.6	0.10	8.7	0.10	8.6	0.10	8.5	0.10	8.4														
776		741		708		674		634		592		547															
0.10	11.4	0.11	11.3	0.12	10.5	0.12	10.6	0.13	10.4	0.13	10.4	0.13	10.3														
900		870		841		813		783		750		714		638		515											
0.16	15.6	0.16	15.2	0.17	15.3	0.18	14.4	0.19	14.6	0.19	14.5	0.20	14.3	0.21	14.4	0.20	14.1										
962		934		907		880		853		824		792		723		645		485									
0.19	17.8	0.20	17.3	0.21	17.7	0.22	16.5	0.23	16.4	0.23	16.5	0.24	16.3	0.25	16.4	0.26	16.2	0.23	15.9								

CRBCA10 / CRBA10																			CFM at Static Pressure				RPM Range				RPM
0.00		.125		.250		.375		.500		.625		.750		1.00		1.25		1.50		Motor HP							
BHP	Sone	BHP	Sone	BHP	Sone	BHP	Sone	BHP	Sone	BHP	Sone	BHP	Sone	BHP	Sone	BHP	Sone	BHP	Sone	BHP	Sone	1/5	1/4 L	1/4 M	1/4 H		
487		384																			CRBCA ONLY					846	
0.01	2.1	0.02	1.6																								1041
599		519		422																							1135
0.03	3.7	0.03	3.3	0.03	3.0																						1360
653		579		497		383																					1646
0.03	4.5	0.04	4.1	0.04	4.0	0.04	3.1																				1789
783		720		660		586		494																			2076
0.06	6.5	0.07	6.2	0.07	6.0	0.08	5.8	0.08	4.8																		2219
948		895		845		795		734		667		586															
0.10	9.6	0.11	9.5	0.12	9.1	0.13	9.0	0.13	8.9	0.14	8.3	0.14	7.1														
1,030		982		935		890		839		782		719		540													
0.13	11.5	0.14	11.4	0.15	11.0	0.16	10.8	0.17	10.7	0.17	10.5	0.18	9.8	0.17	8.1												
1,195		1,153		1,112		1,073		1,035		992		943		839		703											
0.21	15.6	0.22	15.6	0.23	15.4	0.24	14.9	0.25	14.8	0.26	14.7	0.27	14.6	0.27	13.7	0.27	11.5										
1,278		1,238		1,200		1,162		1,126		1,090		1,047		955		847		703									
0.26	17.8	0.27	17.4	0.28	17.3	0.29	16.8	0.30	16.8	0.31	16.7	0.32	16.7	0.33	16.4	0.34	14.7	0.33	12.8								

Performance shown is for Type A: free inlet, free outlet. Performance ratings do not include the effects of appurtenances (accessories). Power rating (BHP) does not include transmission losses. Bearing losses are included. The sound ratings shown are loudness values in hemispherical sones at 1.5 m (5 ft) in a hemispherical free field calculated per AMCA Standard 301. Values shown are for Installation Type A: free inlet hemispherical sone levels.

CRBCA12 / CRBA12 Performance Data

CFM at Static Pressure																		RPM Range Motor HP					RPM		
0.00		.125		.250		.375		.500		.750		1.00		1.25		1.50		2.00		1/4 L	1/4 H	1/3		1/2	3/4
BHP	Sone	BHP	Sone	BHP	Sone	BHP	Sone	BHP	Sone	BHP	Sone	BHP	Sone	BHP	Sone	BHP	Sone	BHP	Sone						
1,002		900		791		643																			886
0.05	4.9	0.06	4.0	0.07	3.8	0.07	3.5																		
1,054		958		858		730																			932
0.06	5.3	0.07	4.6	0.08	4.4	0.08	4.0																		
1,107		1,016		923		808		637																	979
0.07	5.8	0.08	5.2	0.09	4.9	0.09	4.6	0.09	4.3																
1,161		1,073		986		880		749																	1026
0.08	6.4	0.09	5.8	0.10	5.5	0.11	5.2	0.11	5.0																
1,213		1,129		1,045		949		836																	1072
0.09	6.9	0.10	6.4	0.11	6.0	0.12	5.9	0.12	5.7																
1,266		1,186		1,105		1,018		914																	1119
0.10	7.4	0.12	7.1	0.13	6.6	0.13	6.7	0.14	6.3																
1,319		1,243		1,164		1,085		988		666															1166
0.12	8.1	0.13	7.9	0.14	7.3	0.15	7.4	0.16	7.0	0.14	6.6														
1,371		1,298		1,222		1,148		1,057		816															1212
0.13	8.8	0.14	8.6	0.16	8.0	0.16	8.0	0.17	7.7	0.17	7.4														
1,424		1,354		1,281		1,210		1,127		922															1259
0.15	9.6	0.16	9.4	0.17	8.8	0.18	8.6	0.19	8.6	0.19	8.1														
1,476		1,409		1,338		1,270		1,194		1,010															1305
0.16	10.4	0.18	10.2	0.19	9.7	0.20	9.3	0.21	9.5	0.22	9.0														
1,529		1,464		1,396		1,330		1,260		1,090		793													1352
0.18	11.3	0.20	11.1	0.21	10.7	0.22	10.1	0.23	10.4	0.24	9.8	0.22	9.5												
1,582		1,520		1,454		1,390		1,325		1,165		940													1399
0.20	12.2	0.22	12.0	0.23	11.7	0.24	10.9	0.25	11.2	0.27	10.8	0.26	10.4												
1,634		1,574		1,510		1,447		1,386		1,236		1,047													1445
0.22	13.1	0.24	12.8	0.25	12.8	0.27	11.8	0.28	11.9	0.29	11.5	0.29	11.3												
1,688		1,629		1,568		1,506		1,447		1,306		1,139													1492
0.25	14.1	0.26	13.8	0.28	13.9	0.29	12.8	0.30	12.6	0.32	12.3	0.33	12.3												
1,741		1,684		1,625		1,565		1,508		1,376		1,222		981											1539
0.27	14.8	0.29	14.5	0.30	14.6	0.32	13.7	0.33	13.2	0.35	13.3	0.36	13.1	0.34	12.7										
1,793		1,738		1,680		1,622		1,566		1,443		1,297		1,103											1585
0.30	15.5	0.31	15.2	0.33	15.3	0.34	14.5	0.36	13.9	0.38	14.3	0.39	13.7	0.38	13.5										
1,846		1,793		1,737		1,680		1,625		1,510		1,371		1,204											1632
0.32	16.1	0.34	15.8	0.36	15.9	0.37	15.3	0.39	14.5	0.41	15.1	0.43	14.5	0.42	14.3										
1,898		1,846		1,792		1,737		1,683		1,574		1,441		1,291		1,050									1678
0.35	16.7	0.37	16.5	0.39	16.5	0.40	16.1	0.42	15.3	0.44	15.6	0.46	15.0	0.46	15.1	0.43	15.0								
1,951		1,901		1,849		1,795		1,742		1,638		1,512		1,373		1,181									1725
0.38	17.4	0.40	17.1	0.42	17.2	0.43	16.9	0.45	16.0	0.47	16.2	0.50	15.8	0.51	15.9	0.49	15.8								
2,004		1,955		1,905		1,853		1,801		1,700		1,582		1,450		1,287									1772
0.41	18.0	0.43	17.7	0.45	17.8	0.47	17.6	0.49	16.8	0.51	16.8	0.53	16.7	0.55	16.8	0.54	16.7								
2,056		2,009		1,959		1,909		1,858		1,760		1,649		1,522		1,378									1818
0.45	18.6	0.46	18.4	0.48	18.5	0.50	18.4	0.52	17.6	0.55	17.5	0.57	17.8	0.59	17.6	0.59	17.6								
2,109		2,063		2,015		1,966		1,916		1,821		1,717		1,594		1,462									1865
0.48	19.4	0.50	19.1	0.52	19.1	0.54	19.1	0.56	18.4	0.59	18.3	0.61	18.7	0.63	18.3	0.64	18.4								
2,162		2,116		2,069		2,022		1,973		1,880		1,781		1,664		1,540									1911
0.52	20	0.54	19.8	0.56	19.9	0.58	19.9	0.60	19.3	0.63	19.0	0.65	19.5	0.68	19.0	0.69	19.2								
2,215		2,170		2,125		2,078		2,031		1,939		1,846		1,734		1,615									1958
0.56	21	0.58	21	0.60	21	0.62	21	0.64	20	0.67	19.7	0.69	20	0.72	19.8	0.74	20								
2,268		2,225		2,180		2,135		2,089		1,999		1,909		1,803		1,688		1,395							2005
0.60	22	0.62	22	0.64	22	0.66	22	0.68	21	0.72	20	0.74	21	0.77	21	0.79	21	0.77	21						

Performance shown is for Type A: free inlet, free outlet. Performance ratings do not include the effects of appurtenances (accessories). Power rating (BHP) does not include transmission losses. Bearing losses are included. The sound ratings shown are loudness values in hemispherical sones at 1.5 m (5 ft) in a hemispherical free field calculated per AMCA Standard 301. Values shown are for Installation Type A: free inlet hemispherical sone levels.

CRBCA13 / CRBA13 Performance Data

CFM at Static Pressure																		RPM Range				RPM					
0.00		.125		.250		.375		.500		.750		1.00		1.25		1.50		2.00		Motor HP							
BHP	Sone	BHP	Sone	BHP	Sone	BHP	Sone	BHP	Sone	BHP	Sone	BHP	Sone	BHP	Sone	BHP	Sone	BHP	Sone	BHP	Sone	1/4	1/3	1/2	3/4		
1,342		1,232		1,102		959		773																			886
0.08	5.9	0.09	5.1	0.10	4.6	0.11	4.3	0.10	4.1																		
1,412		1,308		1,185		1,056		898																			932
0.09	6.5	0.11	5.7	0.12	5.1	0.12	4.8	0.12	4.6																		
1,483		1,385		1,269		1,149		1,010																			979
0.11	7.1	0.12	6.4	0.13	5.7	0.14	5.5	0.14	5.3																		
1,554		1,462		1,353		1,240		1,114																			1026
0.13	7.7	0.14	7.0	0.15	6.4	0.16	6.2	0.16	5.9																		
1,624		1,536		1,433		1,325		1,211	907																		1072
0.14	8.3	0.16	7.7	0.17	7.2	0.18	7.0	0.19	6.7	0.18	6.3																
1,695		1,612		1,515		1,411		1,305	1,042																		1119
0.16	8.9	0.18	8.7	0.19	8.1	0.20	7.8	0.21	7.6	0.21	7.1																
1,766		1,687		1,595		1,496		1,396	1,159																		1166
0.18	9.7	0.20	9.7	0.21	8.9	0.22	8.6	0.24	8.5	0.24	8.1																
1,836		1,760		1,673		1,578		1,482	1,266																		1212
0.21	10.7	0.22	10.7	0.24	9.9	0.25	9.6	0.26	9.5	0.27	9.1																
1,907		1,834		1,752		1,661		1,569	1,369	1,111																	1259
0.23	11.8	0.25	11.8	0.27	11.0	0.28	10.7	0.29	10.5	0.30	10.0	0.30	9.6														
1,977		1,907		1,828		1,741		1,653	1,466	1,236																	1305
0.26	12.9	0.28	13.0	0.29	12.1	0.31	11.7	0.32	11.5	0.34	11.1	0.33	10.8														
2,048		1,981		1,906		1,823		1,737	1,562	1,352																	1352
0.29	14.2	0.31	14.3	0.33	13.4	0.34	12.9	0.35	12.7	0.37	12.3	0.37	11.9														
2,119		2,054		1,983		1,904		1,821	1,654	1,461	1,217																1399
0.32	15.0	0.34	15.2	0.36	14.4	0.37	13.8	0.38	13.5	0.41	13.3	0.41	12.8	0.40	12.4												
2,189		2,126		2,058		1,982		1,902	1,742	1,562	1,346																1445
0.35	15.7	0.37	15.9	0.39	15.2	0.41	14.5	0.42	14.2	0.45	14.1	0.46	13.5	0.45	13.2												
2,260		2,200		2,134		2,062		1,985	1,830	1,662	1,465																1492
0.39	16.4	0.41	16.7	0.43	16.0	0.45	15.3	0.46	15.0	0.49	14.8	0.50	14.2	0.50	13.9												
2,331		2,273		2,210		2,141		2,067	1,916	1,759	1,576	1,352															1539
0.42	17.2	0.45	17.5	0.47	16.8	0.49	16.1	0.50	15.7	0.53	15.5	0.55	15.0	0.55	14.7	0.54	14.3										
2,401		2,344		2,283		2,217		2,146	2,000	1,850	1,680	1,480															1585
0.46	17.9	0.49	18.2	0.51	17.7	0.53	16.9	0.54	16.4	0.57	16.1	0.60	15.8	0.60	15.4	0.60	15.1										
2,472		2,417		2,358		2,295		2,227	2,085	1,941	1,782	1,599															1632
0.51	18.6	0.53	19.0	0.55	18.5	0.57	17.7	0.59	17.2	0.62	16.8	0.65	16.6	0.66	16.1	0.65	15.9										
2,541		2,488		2,432		2,371		2,305	2,167	2,029	1,879	1,708															1678
0.55	19.4	0.57	19.8	0.60	19.3	0.62	18.5	0.64	18.0	0.66	17.5	0.70	17.4	0.71	16.8	0.71	16.7										
2,613		2,561		2,506		2,447		2,385	2,251	2,117	1,975	1,815															1725
0.60	20	0.62	21	0.65	20	0.67	19.4	0.69	18.8	0.72	18.3	0.75	18.2	0.77	17.6	0.78	17.6										
2,684		2,634		2,581		2,524		2,463	2,334	2,204	2,068	1,918	1,546														1772
0.65	21	0.67	21	0.70	21	0.72	20	0.74	19.6	0.77	19.0	0.81	18.9	0.83	18.7	0.84	18.3	0.82	18.1								

Performance shown is for Type A: free inlet, free outlet. Performance ratings do not include the effects of appurtenances (accessories). Power rating (BHP) does not include transmission losses. Bearing losses are included. The sound ratings shown are loudness values in hemispherical sones at 1.5 m (5 ft) in a hemispherical free field calculated per AMCA Standard 301. Values shown are for Installation Type A: free inlet hemispherical sone levels.

CRBCA15 / CRBA15 Performance Data

CFM at Static Pressure																			RPM Range Motor HP					RPM	
0.00		.125		.250		.375		.500		.750		1.00		1.25		1.50		2.00		1/4	1/3	1/2	3/4		1
BHP	Sone	BHP	Sone	BHP	Sone	BHP	Sone	BHP	Sone	BHP	Sone	BHP	Sone	BHP	Sone	BHP	Sone	BHP	Sone						
1,754		1,687		1,578		1,459		1,328																	
0.15	8.1	0.16	7.6	0.17	6.9	0.19	6.6	0.20	6.1																886
1,845		1,785		1,682		1,562		1,471																	
0.18	8.8	0.19	8.3	0.20	7.6	0.21	7.2	0.23	6.8																932
1,938		1,884		1,787		1,675		1,586																	
0.20	9.5	0.22	9.0	0.23	8.3	0.24	8.0	0.26	7.7																979
2,031		1,982		1,891		1,793		1,691		1,399															
0.23	10.2	0.25	9.7	0.26	9.1	0.28	8.8	0.29	8.4	0.31	7.5														1026
2,122		2,077		1,992		1,902		1,794		1,580															
0.27	11.0	0.28	10.5	0.30	9.9	0.31	9.4	0.33	9.1	0.35	8.2														1072
2,215		2,173		2,095		2,009		1,906		1,737															
0.30	11.7	0.32	11.3	0.34	10.7	0.35	10.1	0.37	10.0	0.40	8.9														1119
2,308		2,269		2,197		2,115		2,024		1,864		1,526													
0.34	12.5	0.36	12.1	0.38	11.6	0.39	11.0	0.41	11.0	0.44	10.0	0.45	9.0												1166
2,399		2,362		2,297		2,217		2,135		1,971		1,728													
0.39	13.3	0.40	12.9	0.42	12.5	0.44	12.0	0.45	11.7	0.49	11.1	0.51	9.9												1212
2,492		2,457		2,399		2,321		2,245		2,076		1,899													
0.43	14.1	0.45	13.8	0.47	13.4	0.49	13.0	0.50	12.5	0.54	12.2	0.57	10.8												1259
2,583		2,550		2,497		2,422		2,349		2,179		2,044		1,713											
0.48	15.0	0.50	14.7	0.52	14.4	0.54	14.0	0.55	13.4	0.59	13.0	0.63	11.8	0.64	11.1										1305
2,676		2,645		2,597		2,525		2,455		2,289		2,166		1,920											
0.54	15.9	0.55	15.6	0.57	15.4	0.59	15.1	0.61	14.5	0.65	14.1	0.69	13.2	0.71	12.2										1352
2,769		2,739		2,695		2,628		2,559		2,406		2,275		2,093											
0.59	16.8	0.61	16.6	0.63	16.4	0.65	16.2	0.67	15.7	0.71	15.3	0.75	14.8	0.78	13.2										1399
2,860		2,831		2,791		2,728		2,661		2,520		2,378		2,244		1,951									
0.65	17.8	0.67	17.5	0.69	17.4	0.72	17.2	0.73	16.8	0.77	16.4	0.81	15.9	0.85	14.4	0.87	13.7								1445
2,953		2,925		2,888		2,830		2,764		2,633		2,483		2,373		2,146									
0.72	18.8	0.73	18.6	0.75	18.4	0.78	18.2	0.80	17.9	0.84	17.3	0.89	16.8	0.93	15.8	0.96	14.9								1492
3,046		3,019		2,985		2,932		2,868		2,742		2,590		2,487		2,315									
0.79	19.8	0.81	19.6	0.83	19.4	0.85	19.3	0.88	19.0	0.92	18.2	0.96	17.8	1.00	17.4	1.04	16.0								1539
3,137		3,111		3,079		3,030		2,968		2,847		2,702		2,590		2,464									
0.86	21	0.88	21	0.90	20	0.93	20	0.95	20	0.99	19.2	1.04	19.0	1.08	18.8	1.13	17.2								1585
3,230		3,205		3,174		3,130		3,071		2,953		2,819		2,695		2,594									
0.94	22	0.96	22	0.98	22	1.01	21	1.04	21	1.07	20	1.12	20	1.17	19.8	1.21	18.6								1632

Performance shown is for Type A: free inlet, free outlet. Performance ratings do not include the effects of appurtenances (accessories).
 Power rating (BHP) does not include transmission losses. Bearing losses are included.
 The sound ratings shown are loudness values in hemispherical sones at 1.5 m (5 ft) in a hemispherical free field calculated per AMCA Standard 301.
 Values shown are for Installation Type A: free inlet hemispherical sone levels.

CRBCA16 / CRBA16 Performance Data

CFM at Static Pressure																		RPM Range Motor HP						RPM				
0.00		.125		.250		.375		.500		.750		1.00		1.25		1.50		2.00		1/4	1/3	1/2	3/4		1	1 1/4		
BHP	Sone	BHP	Sone	BHP	Sone	BHP	Sone	BHP	Sone	BHP	Sone	BHP	Sone	BHP	Sone	BHP	Sone	BHP	Sone	BHP	Sone							
2,170		2,034		1,862		1,683		1,427																			734	
0.15	7.3	0.17	6.4	0.19	5.9	0.20	5.4	0.20	4.8																			
2,279		2,152		1,992		1,823		1,620																			771	
0.18	7.8	0.20	7.0	0.21	6.6	0.23	6.1	0.23	5.6																			
2,385		2,265		2,116		1,954		1,780																			807	
0.20	8.5	0.22	7.8	0.24	7.3	0.26	6.8	0.27	6.4																			
2,495		2,381		2,242		2,086		1,930																				844
0.23	9.2	0.26	8.6	0.28	8.1	0.29	7.7	0.30	7.2																			
2,604		2,496		2,367		2,217		2,070		1,634																		881
0.26	10.0	0.29	9.5	0.31	8.9	0.33	8.5	0.34	8.1	0.33	7.0																	
2,713		2,610		2,489		2,347		2,206		1,853																		918
0.30	10.8	0.32	10.4	0.35	9.7	0.37	9.5	0.38	8.9	0.39	7.9																	
2,820		2,721		2,607		2,473		2,336		2,029																		954
0.34	11.8	0.36	11.3	0.39	10.6	0.41	10.4	0.42	9.8	0.44	9.0																	
2,929		2,834		2,727		2,601		2,467		2,191		1,659																991
0.38	12.7	0.40	12.3	0.43	11.6	0.45	11.3	0.47	10.9	0.49	10.1	0.45	9.0															
3,039		2,947		2,845		2,727		2,598		2,341		1,958																1028
0.42	13.6	0.45	13.4	0.47	12.5	0.50	12.2	0.52	11.9	0.54	11.1	0.54	10.0															
3,145		3,057		2,960		2,848		2,725		2,480		2,161																1064
0.47	14.7	0.50	14.5	0.52	13.6	0.55	13.2	0.57	13.0	0.60	12.1	0.61	11.1															
3,254		3,170		3,077		2,972		2,854		2,617		2,340																1101
0.52	15.7	0.55	15.6	0.58	14.8	0.60	14.2	0.62	14.1	0.66	13.1	0.68	12.4															
3,364		3,282		3,193		3,093		2,982		2,751		2,503		2,114														1138
0.57	16.8	0.60	16.7	0.63	16.0	0.66	15.3	0.68	15.2	0.72	14.2	0.75	13.7	0.72	12.5													
3,470		3,391		3,306		3,211		3,105		2,880		2,651		2,333														1174
0.63	17.9	0.66	17.9	0.69	17.2	0.72	16.3	0.74	16.2	0.79	15.3	0.81	14.8	0.81	13.7													
3,579		3,503		3,421		3,331		3,230		3,012		2,796		2,522														1211
0.69	18.9	0.72	19.0	0.75	18.3	0.78	17.4	0.81	17.2	0.85	16.4	0.89	15.8	0.90	14.9													
3,689		3,615		3,536		3,449		3,354		3,143		2,936		2,693		2,325												1248
0.75	19.7	0.79	19.8	0.82	19.2	0.85	18.3	0.88	17.9	0.93	17.4	0.96	16.5	0.98	16.0	0.95	14.8											
3,798		3,727		3,650		3,567		3,476		3,273		3,072		2,852		2,550												1285
0.82	21	0.86	21	0.89	20	0.92	19.2	0.95	18.7	1.01	18.4	1.04	17.3	1.07	17.0	1.06	15.7											
3,905		3,835		3,761		3,681		3,595		3,399		3,202		2,998		2,736												1321
0.89	21	0.93	21	0.96	21	1.00	20	1.03	19.5	1.08	19.3	1.13	18.1	1.16	17.8	1.17	16.9											
4,073		4,007		3,936		3,861		3,780		3,597		3,406		3,218		2,998												1378
1.01	23	1.05	23	1.09	22	1.12	22	1.16	21	1.22	21	1.26	19.6	1.30	19.0	1.33	18.5											
4,182		4,118		4,050		3,977		3,899		3,725		3,537		3,355		3,154		2,484										1415
1.10	23	1.14	24	1.17	23	1.21	23	1.24	22	1.31	21	1.36	21	1.40	19.8	1.43	19.5	1.35	17.7									
4,292		4,229		4,163		4,093		4,018		3,851		3,668		3,490		3,303		2,757										1452
1.19	24	1.23	24	1.26	24	1.30	23	1.34	23	1.40	22	1.46	22	1.50	21	1.54	21	1.51	18.6									
4,401		4,340		4,276		4,208		4,136		3,975		3,798		3,623		3,447		2,973										1489
1.28	25	1.32	25	1.36	25	1.40	24	1.43	24	1.50	23	1.56	23	1.61	22	1.65	21	1.66	19.6									

Performance shown is for Type A: free inlet, free outlet. Performance ratings do not include the effects of appurtenances (accessories). Power rating (BHP) does not include transmission losses. Bearing losses are included. The sound ratings shown are loudness values in hemispherical sones at 1.5 m (5 ft) in a hemispherical free field calculated per AMCA Standard 301. Values shown are for Installation Type A: free inlet hemispherical sone levels.

CRBCA18 / CRBA18 Performance Data

CFM at Static Pressure																			RPM Range Motor HP						RPM	
0.00		.125		.250		.375		.500		.750		1.00		1.25		1.50		2.00		1/3	1/2	3/4	1	1 1/2		2
BHP	Sone	BHP	Sone	BHP	Sone	BHP	Sone	BHP	Sone	BHP	Sone	BHP	Sone	BHP	Sone	BHP	Sone	BHP	Sone							
2,754		2,627		2,440		2,247		1,974																		
0.22	8.9	0.24	7.9	0.26	7.3	0.28	6.8	0.29	6.0																	734
2,893		2,778		2,598		2,422		2,190																		
0.25	9.6	0.28	8.7	0.30	8.1	0.32	7.6	0.33	7.1																	771
3,028		2,923		2,749		2,586		2,389		1,758																
0.29	10.5	0.31	9.6	0.34	8.9	0.36	8.5	0.37	8.1	0.36	6.7															807
3,167		3,070		2,904		2,750		2,577		2,061																
0.33	11.4	0.36	10.6	0.39	9.8	0.41	9.5	0.42	9.0	0.43	7.5															844
3,305		3,216		3,058		2,911		2,753		2,308																
0.38	12.3	0.40	11.7	0.43	10.8	0.46	10.5	0.48	9.9	0.50	8.5															881
3,444		3,360		3,213		3,070		2,923		2,531		1,886														
0.43	13.2	0.45	12.7	0.49	11.8	0.51	11.5	0.53	10.9	0.56	9.9	0.52	8.7													918
3,579		3,500		3,364		3,222		3,085		2,738		2,223														
0.48	14.2	0.51	13.8	0.54	12.9	0.57	12.5	0.59	12.1	0.62	11.3	0.62	9.6													954
3,718		3,643		3,519		3,378		3,247		2,940		2,494														
0.54	15.2	0.57	15.0	0.60	14.1	0.63	13.5	0.66	13.2	0.69	12.5	0.70	10.7													991
3,857		3,785		3,673		3,533		3,408		3,128		2,731		2,128												
0.60	16.2	0.63	16.1	0.66	15.4	0.70	14.7	0.72	14.5	0.76	13.6	0.79	12.0	0.74	11.1											1028
3,992		3,923		3,822		3,683		3,562		3,301		2,945		2,464												
0.66	17.2	0.69	17.3	0.73	16.6	0.77	15.8	0.79	15.6	0.84	14.6	0.87	13.6	0.85	12.2											1064
4,131		4,065		3,972		3,837		3,718		3,474		3,158		2,741												
0.73	18.3	0.77	18.6	0.80	18.0	0.84	17.0	0.87	16.8	0.92	15.8	0.96	15.3	0.96	13.4											1101
4,270		4,207		4,121		3,992		3,874		3,642		3,362		2,984		2,454										
0.81	19.4	0.85	19.8	0.88	19.3	0.92	18.2	0.96	17.8	1.01	17.0	1.05	16.6	1.07	14.5	1.02	13.8									1138
4,405		4,344		4,264		4,143		4,025		3,803		3,547		3,202		2,766										
0.89	20	0.93	21	0.96	20	1.00	19.2	1.04	18.7	1.10	18.0	1.14	17.4	1.17	15.8	1.15	14.6									1174
4,611		4,554		4,481		4,374		4,254		4,044		3,814		3,520		3,157										
1.02	22	1.06	22	1.10	22	1.14	21	1.18	20	1.25	19.6	1.29	18.5	1.33	18.1	1.35	16.0									1229
4,750		4,694		4,626		4,528		4,409		4,204		3,987		3,725		3,388										
1.12	22	1.15	23	1.19	23	1.24	22	1.28	21	1.35	21	1.40	19.4	1.44	19.3	1.47	17.2									1266
4,889		4,835		4,770		4,680		4,563		4,362		4,155		3,918		3,607		2,720								
1.22	23	1.26	24	1.30	24	1.34	23	1.39	22	1.46	22	1.52	21	1.56	20	1.60	18.8	1.51	16.6							1303
5,028		4,976		4,914		4,831		4,719		4,519		4,322		4,101		3,820		3,068								
1.32	25	1.36	25	1.41	25	1.45	24	1.50	23	1.58	22	1.64	22	1.69	21	1.73	20	1.70	17.5							1340
5,170		5,120		5,061		4,984		4,878		4,679		4,490		4,283		4,032		3,363								
1.44	26	1.48	26	1.52	26	1.57	25	1.62	24	1.70	23	1.77	23	1.82	22	1.86	22	1.88	18.6							1378
5,309		5,260		5,204		5,132		5,033		4,834		4,651		4,455		4,228		3,618								
1.56	27	1.60	27	1.64	27	1.69	26	1.74	25	1.83	24	1.90	24	1.96	23	2.00	23	2.06	19.7							1415
5,448		5,401		5,346		5,279		5,187		4,988		4,812		4,624		4,415		3,852								
1.68	28	1.73	28	1.77	28	1.82	27	1.87	27	1.96	25	2.04	25	2.11	24	2.15	24	2.22	21							1452

Performance shown is for Type A: free inlet, free outlet. Performance ratings do not include the effects of appurtenances (accessories).

Power rating (BHP) does not include transmission losses. Bearing losses are included.

The sound ratings shown are loudness values in hemispherical sones at 1.5 m (5 ft) in a hemispherical free field calculated per AMCA Standard 301.

Values shown are for Installation Type A: free inlet hemispherical sone levels.

CRBCA20 / CRBA20 Performance Data

CFM at Static Pressure																			RPM Range Motor HP					RPM	
0.00		.125		.250		.375		.500		.750		1.00		1.25		1.50		2.00		1/2	3/4	1	1 1/2		2
BHP	Sone	BHP	Sone	BHP	Sone	BHP	Sone	BHP	Sone	BHP	Sone	BHP	Sone	BHP	Sone	BHP	Sone	BHP	Sone						
3,626		3,445		3,247		3,050		2,821		2,080															734
0.37	11.8	0.40	9.6	0.42	9.2	0.43	8.8	0.45	7.9	0.43	6.7														
3,808		3,638		3,449		3,263		3,060		2,500															771
0.43	12.8	0.46	10.5	0.49	10.1	0.50	9.7	0.52	9.0	0.52	7.8														
3,986		3,825		3,644		3,467		3,282		2,810															807
0.49	13.8	0.52	11.4	0.55	11.1	0.57	10.6	0.58	10.2	0.60	8.8														
4,169		4,015		3,844		3,673		3,501		3,082															844
0.56	14.8	0.59	12.4	0.63	12.3	0.64	11.9	0.66	11.4	0.69	10.0														
4,352		4,205		4,042		3,878		3,715		3,336		2,794													881
0.64	15.8	0.67	13.5	0.71	13.5	0.73	13.0	0.74	12.4	0.78	11.3	0.76	10.1												
4,534		4,395		4,240		4,081		3,925		3,580		3,134													918
0.72	17.0	0.75	14.6	0.80	14.6	0.82	14.1	0.83	13.5	0.88	12.6	0.88	11.4												
4,712		4,578		4,431		4,277		4,127		3,809		3,411		2,769											954
0.81	18.2	0.84	15.8	0.89	15.6	0.92	15.2	0.93	14.9	0.98	14.0	0.99	12.7	0.95	11.6										
4,895		4,766		4,626		4,477		4,332		4,036		3,673		3,185											991
0.91	19.4	0.94	17.1	0.99	16.7	1.03	16.5	1.04	16.4	1.08	15.4	1.11	14.0	1.09	12.9										
5,152		5,030		4,898		4,758		4,619		4,343		4,023		3,637		3,007									1043
1.06	21	1.09	18.8	1.14	18.2	1.19	18.5	1.21	18.2	1.24	17.2	1.29	16.1	1.29	15.0	1.23	14.0								
5,335		5,217		5,091		4,956		4,821		4,556		4,262		3,910		3,432									1080
1.17	23	1.21	20	1.26	19.4	1.31	19.9	1.34	19.3	1.37	18.4	1.42	17.8	1.44	16.5	1.41	15.4								
5,517		5,404		5,283		5,154		5,022		4,766		4,494		4,168		3,778									1117
1.30	24	1.33	21	1.38	21	1.44	21	1.47	21	1.51	19.5	1.56	19.2	1.59	17.7	1.58	16.7								
5,700		5,591		5,475		5,350		5,223		4,974		4,718		4,418		4,071									1154
1.43	25	1.47	23	1.52	22	1.57	22	1.62	22	1.65	21	1.70	20	1.75	19.0	1.75	18.0								
5,883		5,777		5,665		5,546		5,422		5,180		4,937		4,660		4,340									1191
1.57	26	1.61	24	1.66	22	1.72	23	1.77	23	1.81	22	1.86	21	1.91	21	1.93	19.1								
6,071		5,969		5,860		5,746		5,626		5,391		5,157		4,901		4,603		3,768							1229
1.73	27	1.77	25	1.82	24	1.87	24	1.93	24	1.99	24	2.02	22	2.09	22	2.12	20	2.06	18.5						
6,253		6,154		6,050		5,940		5,824		5,594		5,368		5,129		4,852		4,150							1266
1.89	28	1.93	26	1.98	25	2.04	24	2.10	25	2.17	25	2.20	23	2.26	23	2.31	22	2.29	19.7						

Performance shown is for Type A: free inlet, free outlet. Performance ratings do not include the effects of appurtenances (accessories). Power rating (BHP) does not include transmission losses. Bearing losses are included. The sound ratings shown are loudness values in hemispherical sones at 1.5 m (5 ft) in a hemispherical free field calculated per AMCA Standard 301. Values shown are for Installation Type A: free inlet hemispherical sone levels.

CRBCA24 / CRBA24 Performance Data

CFM at Static Pressure																				RPM Range						RPM
0.00		.125		.250		.375		.500		.750		1.00		1.25		1.50		2.00		Motor HP						
BHP	Sone	BHP	Sone	BHP	Sone	BHP	Sone	BHP	Sone	BHP	Sone	BHP	Sone	BHP	Sone	BHP	Sone	BHP	Sone	1/3	1/2	3/4	1	1 1/2	2	
4,504		3,960		3,411		2,373																				512
0.25	5.8	0.26	5.2	0.27	4.6	0.26	4.3																			
4,698		4,178		3,654		2,874																				534
0.28	6.3	0.29	5.7	0.31	5.1	0.30	4.7																			
4,891		4,395		3,890		3,256																				556
0.31	7.0	0.33	6.2	0.34	5.6	0.35	5.2																			
5,094		4,621		4,130		3,588																				579
0.36	7.8	0.37	6.8	0.39	6.1	0.39	5.8																			
5,287		4,835		4,357		3,870		2,986																		601
0.40	8.7	0.41	7.3	0.43	6.7	0.44	6.3	0.42	6.0																	
5,481		5,048		4,582		4,131		3,439																		623
0.44	9.7	0.46	7.9	0.48	7.2	0.49	6.8	0.48	6.5																	
5,674		5,260		4,806		4,377		3,806																		645
0.49	10.3	0.51	8.4	0.53	7.8	0.54	7.4	0.54	7.0																	
5,877		5,480		5,039		4,626		4,136																		668
0.55	10.9	0.56	9.0	0.58	8.4	0.60	7.9	0.60	7.5																	
6,264		5,898		5,480		5,088		4,684																		712
0.66	12.1	0.68	10.2	0.70	9.6	0.72	9.0	0.73	8.6																	
6,466		6,114		5,709		5,325		4,946		3,631																735
0.73	12.7	0.75	10.8	0.77	10.2	0.79	9.6	0.80	9.2	0.77	8.7															
6,756		6,423		6,036		5,663		5,306		4,302																768
0.83	13.6	0.85	11.8	0.87	11.3	0.89	10.6	0.91	10.1	0.91	9.7															
7,152		6,841		6,478		6,119		5,780		4,995																813
0.98	14.9	1.01	13.3	1.03	12.8	1.05	12.2	1.07	11.5	1.09	11.0															
7,346		7,044		6,693		6,341		6,008		5,287		3,845														835
1.07	15.6	1.09	14.2	1.11	13.6	1.14	12.9	1.16	12.3	1.18	11.7	1.11	11.2													
7,548		7,256		6,916		6,572		6,245		5,571		4,404														858
1.16	16.4	1.18	15.2	1.20	14.5	1.23	13.9	1.25	13.1	1.28	12.4	1.24	12.0													
7,944		7,668		7,351		7,020		6,704		6,089		5,239														903
1.35	18.0	1.37	17.0	1.40	16.2	1.42	15.5	1.45	14.9	1.48	13.9	1.48	13.7													
8,146		7,878		7,572		7,248		6,937		6,341		5,588		4,083												926
1.45	18.9	1.48	17.9	1.50	17.1	1.53	16.4	1.56	15.8	1.59	14.8	1.60	14.5	1.50	14.0											
8,340		8,079		7,782		7,465		7,159		6,577		5,893		4,667												948
1.56	20	1.58	18.8	1.61	18.0	1.64	17.2	1.67	16.6	1.71	15.6	1.72	15.2	1.66	14.8											
8,542		8,288		8,001		7,692		7,390		6,821		6,191		5,170												971
1.68	21	1.70	19.9	1.73	18.9	1.76	18.1	1.78	17.5	1.83	16.5	1.85	15.9	1.82	15.7											
8,745		8,497		8,219		7,917		7,621		7,062		6,472		5,598												994
1.80	22	1.82	21	1.85	19.9	1.88	19.0	1.91	18.4	1.96	17.4	1.98	16.7	1.97	16.6											
8,938		8,697		8,426		8,132		7,841		7,290		6,730		5,959		4,521										1016
1.92	24	1.95	22	1.97	21	2.01	20	2.03	19.2	2.08	18.2	2.12	17.4	2.11	17.3	1.99	16.9									
9,140		8,905		8,643		8,356		8,070		7,527		6,990		6,301		5,125										1039
2.05	25	2.08	23	2.11	22	2.14	21	2.17	20	2.22	19.2	2.26	18.3	2.27	18.1	2.19	17.7									
9,334		9,104		8,849		8,569		8,288		7,752		7,232		6,604		5,609										1061
2.19	26	2.21	24	2.24	23	2.27	22	2.31	21	2.36	20	2.40	19.2	2.42	18.8	2.36	18.6									
9,730		9,510		9,268		9,004		8,732		8,211		7,716		7,172		6,417										1106
2.48	29	2.51	27	2.54	25	2.57	24	2.60	23	2.66	22	2.71	21	2.73	20	2.72	20									
10,135		9,924		9,695		9,445		9,183		8,676		8,198		7,707		7,095										1152
2.80	33	2.83	30	2.86	28	2.89	26	2.93	25	2.99	24	3.04	23	3.08	22	3.09	22									
10,328		10,122		9,898		9,654		9,398		8,898		8,426		7,952		7,388		5,244								1174
2.96	35	2.99	31	3.02	29	3.06	28	3.09	26	3.16	25	3.21	24	3.25	23	3.27	23	3.07	22							

Performance shown is for Type A: free inlet, free outlet. Performance ratings do not include the effects of appurtenances (accessories). Power rating (BHP) does not include transmission losses. Bearing losses are included. The sound ratings shown are loudness values in hemispherical sones at 1.5 m (5 ft) in a hemispherical free field calculated per AMCA Standard 301. Values shown are for Installation Type A: free inlet hemispherical sone levels.

CRBA30 Performance Data

CFM at Static Pressure																		RPM Range						RPM				
0.00		.125		.250		.375		.500		.750		1.00		1.25		1.50		2.00		Motor HP								
BHP	Sone	BHP	Sone	BHP	Sone	BHP	Sone	BHP	Sone	BHP	Sone	BHP	Sone	BHP	Sone	BHP	Sone	BHP	Sone	1/2	3/4	1	1 1/2		2	3	5	
6,380		5,549		4,719																								400
0.33	6.0	0.34	5.3	0.35	4.8																							
7,034		6,283		5,505		4,588																						441
0.44	7.1	0.46	6.5	0.47	5.9	0.47	5.7																					
7,528		6,828		6,097		5,413		3,187																				472
0.54	8.1	0.56	7.4	0.57	6.9	0.58	6.6	0.50	6.5																			
8,325		7,693		7,042		6,398		5,696																				522
0.73	10.0	0.75	9.2	0.76	8.7	0.78	8.4	0.78	8.2																			
8,868		8,274		7,671		7,046		6,480																				556
0.88	11.5	0.90	10.7	0.92	10.1	0.93	9.7	0.95	9.5																			
9,474		8,918		8,358		7,771		7,221																				594
1.08	13.3	1.10	12.4	1.12	11.8	1.13	11.4	1.15	11.1																			
9,888		9,356		8,821		8,263		7,716		6,348																		620
1.22	14.5	1.25	13.7	1.27	13.1	1.28	12.6	1.30	12.3	1.30	12.0																	
10,335		9,825		9,315		8,787		8,251		7,203																		648
1.40	15.6	1.42	14.8	1.44	14.1	1.46	13.6	1.48	13.3	1.50	13.0																	
10,734		10,243		9,752		9,249		8,727		7,771																		673
1.57	16.6	1.59	15.8	1.61	15.1	1.63	14.6	1.65	14.2	1.68	13.9																	
11,244		10,776		10,307		9,831		9,335		8,412		6,811																705
1.80	17.9	1.82	17.0	1.85	16.4	1.87	15.8	1.88	15.5	1.93	15.0	1.87	14.9															
11,802		11,356		10,910		10,460		9,993		9,082		8,104																740
2.08	19.3	2.11	18.4	2.13	17.8	2.16	17.2	2.17	16.8	2.22	16.3	2.23	16.1															
12,281		11,852		11,423		10,992		10,549		9,654		8,822		6,474														770
2.35	21	2.37	19.8	2.40	19.0	2.43	18.4	2.44	18.0	2.49	17.4	2.52	17.2	2.33	17.1													
12,807		12,396		11,985		11,572		11,152		10,284		9,497		8,296														803
2.66	22	2.68	21	2.72	21	2.75	19.8	2.76	19.3	2.81	18.7	2.86	18.4	2.82	18.3													
13,238		12,840		12,442		12,044		11,640		10,798		10,020		9,132														830
2.94	23	2.96	22	2.99	22	3.03	21	3.05	21	3.09	19.8	3.15	19.4	3.15	19.3													
13,668		13,283		12,898		12,512		12,123		11,311		10,534		9,777		7,950												857
3.23	25	3.26	24	3.29	23	3.33	22	3.35	22	3.39	21	3.45	21	3.48	20	3.33	20											
14,354		13,987		13,620		13,254		12,885		12,120		11,355		10,662		9,751												900
3.75	27	3.77	26	3.81	25	3.84	24	3.87	24	3.91	23	3.97	22	4.02	22	4.01	22											
14,992		14,641		14,290		13,939		13,586		12,863		12,118		11,432		10,738												940
4.27	29	4.29	28	4.33	27	4.37	26	4.40	26	4.44	25	4.49	24	4.56	24	4.59	24											
15,710		15,374		15,039		14,704		14,369		13,686		12,974		12,289		11,662		8,885										985
4.91	31	4.94	30	4.97	30	5.01	29	5.05	28	5.10	27	5.14	27	5.22	26	5.27	26	5.00	26									
16,156		15,830		15,504		15,179		14,853		14,192		13,503		12,824		12,204		10,388										1013
5.34	33	5.37	32	5.40	31	5.45	31	5.49	30	5.54	29	5.58	28	5.65	28	5.72	27	5.65	27									

Performance shown is for Type A: free inlet, free outlet. Performance ratings do not include the effects of appurtenances (accessories). Power rating (BHP) does not include transmission losses. Bearing losses are included. The sound ratings shown are loudness values in hemispherical sones at 1.5 m (5 ft) in a hemispherical free field calculated per AMCA Standard 301. Values shown are for Installation Type A: free inlet hemispherical sone levels.

CRBA36 Performance Data

CFM at Static Pressure																			RPM Range Motor HP							RPM			
0.00		.125		.250		.375		.500		.750		1.00		1.25		1.50		2.00		3/4	1	1 1/4	2	3	5		7 1/2		
BHP	Sone	BHP	Sone	BHP	Sone	BHP	Sone	BHP	Sone	BHP	Sone	BHP	Sone	BHP	Sone	BHP	Sone	BHP	Sone	BHP	Sone								
8,128		6,712		4,084																							276		
0.30	4.7	0.32	3.9	0.31	3.4																								
8,982		7,727		6,042																							305		
0.41	5.8	0.43	4.9	0.44	4.4																								
9,747		8,601		7,241																							331		
0.52	7.0	0.54	6.0	0.56	5.5																								
10,601		9,547		8,379		6,621																					360		
0.67	8.5	0.69	7.5	0.71	7.0	0.71	6.5																						
11,514		10,539		9,517		8,249																					391		
0.86	10.4	0.88	9.2	0.91	8.7	0.92	8.2																						
12,692		11,802		10,917		9,885	8,527																				431		
1.15	13.1	1.17	11.9	1.20	11.3	1.22	10.9	1.23	10.3																				
13,546		12,709		11,894		10,971	9,898																				460		
1.40	14.8	1.42	13.6	1.46	13.0	1.48	12.6	1.50	12.1																				
14,518		13,733		12,979		12,159	11,234	8,282																			493		
1.72	16.6	1.75	15.4	1.78	14.7	1.81	14.3	1.83	14.0	1.81	12.9																		
15,313		14,567		13,852		13,101	12,256	10,012																			520		
2.02	18.1	2.05	16.9	2.08	16.2	2.12	15.7	2.14	15.4	2.16	14.3																		
16,108		15,397		14,716		14,019	13,244	11,393																			547		
2.35	19.8	2.38	18.6	2.42	17.7	2.46	17.2	2.48	16.9	2.52	16.0																		
16,932		16,255		15,604		14,952	14,242	12,612	9,967																		575		
2.73	22	2.76	20	2.80	19.4	2.84	18.9	2.87	18.5	2.92	17.8	2.89	16.7																
17,816		17,171		16,549		15,935	15,284	13,805	11,815																		605		
3.18	23	3.21	22	3.25	21	3.29	21	3.33	20	3.39	19.7	3.40	18.5																
18,464		17,841		17,238		16,647	16,032	14,642	12,937	9,976																	627		
3.54	25	3.57	24	3.61	23	3.66	22	3.70	22	3.76	21	3.80	20	3.70	19.2														
19,288		18,691		18,112		17,546	16,969	15,678	14,189	11,945																	655		
4.03	27	4.07	26	4.11	25	4.16	24	4.20	23	4.27	23	4.33	22	4.29	21														
20,172		19,600		19,044		18,502	17,957	16,761	15,410	13,668	10,780																685		
4.61	29	4.65	28	4.69	27	4.74	26	4.79	26	4.87	25	4.93	24	4.95	23	4.81	22												
21,055		20,506		19,972		19,451	18,932	17,820	16,568	15,111	12,924																715		
5.25	32	5.28	30	5.32	29	5.37	28	5.43	28	5.52	27	5.58	27	5.63	25	5.58	24												
21,821		21,291		20,774		20,269	19,770	18,720	17,540	16,227	14,472																741		
5.84	34	5.88	32	5.92	31	5.97	30	6.03	30	6.12	29	6.19	29	6.26	28	6.26	26												
22,822		22,315		21,819		21,334	20,856	19,875	18,781	17,588	16,177																775		
6.68	37	6.72	35	6.76	34	6.81	33	6.87	32	6.98	32	7.06	31	7.13	31	7.18	29												
23,853		23,367		22,891		22,425	21,967	21,041	20,029	18,923	17,704	13,874															810		
7.63	40	7.67	38	7.71	37	7.76	36	7.82	36	7.94	35	8.03	34	8.10	33	8.18	33	8.05	31										

Performance shown is for Type A: free inlet, free outlet. Performance ratings do not include the effects of appurtenances (accessories). Power rating (BHP) does not include transmission losses. Bearing losses are included. The sound ratings shown are loudness values in hemispherical sones at 1.5 m (5 ft) in a hemispherical free field calculated per AMCA Standard 301. Values shown are for Installation Type A: free inlet hemispherical sone levels.

CRBA44 Performance Data

CFM at Static Pressure																		RPM Range								RPM	
0.00		.125		.250		.375		.500		.750		1.00		1.25		1.50		Motor HP									
BHP	Sone	BHP	Sone	BHP	Sone	BHP	Sone	BHP	Sone	BHP	Sone	BHP	Sone	BHP	Sone	BHP	Sone	1	1 ½	2	3	5	7 ½	10			
13,235		11,029		7,783																						245	
0.55	5.1	0.58	4.4	0.55	4.0																						
14,316		12,256		9,792																						265	
0.70	6.1	0.74	5.3	0.73	5.0																						
15,396		13,476		11,479																						285	
0.87	7.2	0.91	6.3	0.92	6.1																						
16,315		14,511		12,726		9,751																				302	
1.04	8.2	1.08	7.3	1.10	7.0	1.04	6.6																				
17,827		16,201		14,568		12,481																				330	
1.35	10.2	1.40	9.0	1.43	8.6	1.41	8.4																				
18,800		17,274		15,691		13,977		11,179																		348	
1.59	11.5	1.64	10.3	1.67	9.9	1.67	9.7	1.59	9.1																		
19,718		18,277		16,735		15,243		12,934																		365	
1.83	12.9	1.88	11.6	1.92	11.1	1.94	11.0	1.88	10.5																		
20,474		19,097		17,590		16,210		14,230																		379	
2.05	14.2	2.10	12.8	2.15	12.2	2.17	12.0	2.14	11.7																		
21,501		20,199		18,749		17,451		15,835																		398	
2.37	15.9	2.43	14.5	2.48	13.7	2.51	13.5	2.50	13.3																		
22,689		21,465		20,090		18,833		17,496		12,971																420	
2.79	17.4	2.85	16.0	2.90	15.1	2.94	14.8	2.95	14.7	2.77	13.4																
23,986		22,837		21,546		20,311		19,141		15,546																444	
3.30	19.0	3.36	17.6	3.42	16.7	3.46	16.3	3.49	16.1	3.38	15.3																
25,499		24,424		23,230		22,020		20,937		18,113		13,278														472	
3.96	21	4.03	19.5	4.09	18.5	4.15	18.0	4.18	17.8	4.14	17.6	3.82	16.3														
26,741		25,722		24,599		23,424		22,367		19,987		16,125														495	
4.57	23	4.64	21	4.71	20	4.77	19.7	4.81	19.5	4.82	19.5	4.60	18.3														
27,821		26,845		25,778		24,642		23,595		21,472		18,177														515	
5.14	24	5.22	23	5.29	22	5.35	21	5.41	21	5.45	21	5.29	20														
29,010		28,077		27,066		25,978		24,938		22,993		20,214		16,102												537	
5.83	27	5.91	25	5.98	24	6.05	23	6.11	23	6.18	23	6.08	22	5.74	21												
30,252		29,361		28,401		27,366		26,341		24,497		22,165		18,733												560	
6.61	29	6.70	28	6.77	26	6.85	26	6.91	25	7.00	25	6.96	25	6.71	23												
31,333		30,473		29,555		28,566		27,561		25,764		23,720		20,727		16,538										580	
7.35	31	7.43	30	7.51	29	7.59	28	7.66	27	7.76	27	7.77	27	7.58	26	7.12	24										
32,575		31,750		30,874		29,935		28,961		27,193		25,381		22,831		19,390										603	
8.26	34	8.35	32	8.43	31	8.51	30	8.59	30	8.70	29	8.75	29	8.62	28	8.30	27										
33,764		32,970		32,130		31,234		30,295		28,546		26,878		24,692		21,699											625
9.20	37	9.29	35	9.37	34	9.46	33	9.54	32	9.67	32	9.74	31	9.67	31	9.42	29.5										
34,952		34,187		33,380		32,525		31,622		29,891		28,310		26,411		23,792											647
10.20	40	10.30	38	10.39	37	10.47	36	10.56	35	10.70	34	10.79	34	10.78	34	10.58	33										
35,709		34,960		34,173		33,341		32,462		30,744		29,200		27,442		25,050											661
10.88	42	10.97	40	11.07	39	11.16	38	11.24	37	11.39	36	11.50	35	11.51	35	11.35	34										

Performance shown is for Type A: free inlet, free outlet. Performance ratings do not include the effects of appurtenances (accessories). Power rating (BHP) does not include transmission losses. Bearing losses are included. The sound ratings shown are loudness values in hemispherical sones at 1.5 m (5 ft) in a hemispherical free field calculated per AMCA Standard 301. Values shown are for Installation Type A: free inlet hemispherical sone levels.

CRBA52 Performance Data

CFM at Static Pressure																	RPM Range Motor HP						RPM	
0.00		.125		.250		.375		.500		.750		1.00		1.25		1.50		1 ½	2	3	5	7 ½		10
BHP	Sone	BHP	Sone	BHP	Sone	BHP	Sone	BHP	Sone	BHP	Sone	BHP	Sone	BHP	Sone	BHP	Sone							
17,671		14,598		9,727																				205
0.71	4.9	0.75	4.2	0.69	3.9																			
19,395		16,562		13,111																				225
0.93	5.9	0.98	5.3	0.97	4.8																			
21,119		18,509		15,810		10,531																		245
1.21	7.2	1.26	6.4	1.27	6.1	1.15	5.8																	
22,843		20,449		18,093		14,425																		265
1.53	8.6	1.59	7.7	1.62	7.3	1.56	7.0																	
24,567		22,371		20,154		17,404		12,676																285
1.90	10.2	1.96	9.1	2.01	8.7	1.99	8.5	1.83	8.0															
26,032		23,984		21,839		19,601		15,994																302
2.26	11.7	2.33	10.6	2.38	10.1	2.39	9.9	2.29	9.3															
28,446		26,602		24,570		22,735		20,222																330
2.95	14.5	3.02	13.1	3.09	12.5	3.12	12.3	3.09	12.1															
29,997		28,264		26,323		24,578		22,545		15,272														348
3.46	16.3	3.54	15.0	3.61	14.2	3.65	14.0	3.65	13.9	3.31	12.6													
31,463		29,820		27,974		26,267		24,519		18,742														365
3.99	18.2	4.07	16.8	4.15	16.0	4.21	15.7	4.23	15.6	4.01	14.4													
32,669		31,096		29,328		27,641		26,036		21,078														379
4.47	19.8	4.55	18.4	4.63	17.5	4.70	17.1	4.73	17.0	4.58	16.1													
34,307		32,816		31,154		29,492		27,994		23,907		16,647												398
5.17	22	5.26	21	5.35	19.7	5.42	19.1	5.47	19.0	5.39	18.4	4.86	17.0											
36,204		34,799		33,248		31,633		30,187		26,844		21,377												420
6.08	25	6.18	23	6.27	22	6.35	21	6.41	21	6.41	20	6.09	19.0											
38,272		36,949		35,507		33,967		32,538		29,691		25,323		18,344										444
7.18	27	7.28	25	7.38	24	7.47	23	7.54	23	7.61	22	7.40	21	6.72	20									
40,686		39,448		38,112		36,673		35,265		32,707		29,316		24,335		15,163								472
8.63	30	8.74	28	8.84	27	8.94	26	9.03	25	9.14	25	9.05	24	8.68	23	7.26	22							
42,669		41,492		40,233		38,877		37,503		35,045		32,229		28,097		22,273								495
9.95	32	10.07	30	10.18	29	10.28	28	10.38	28	10.51	27	10.52	27	10.25	26	9.60	24							
43,962		42,821		41,607		40,304		38,961		36,537		33,982		30,319		25,373								510
10.89	34	11.00	32	11.12	31	11.23	30	11.33	29	11.48	28	11.52	28	11.32	28	10.84	26							

Performance shown is for Type A: free inlet, free outlet. Performance ratings do not include the effects of appurtenances (accessories). Power rating (BHP) does not include transmission losses. Bearing losses are included. The sound ratings shown are loudness values in hemispherical sones at 1.5 m (5 ft) in a hemispherical free field calculated per AMCA Standard 301. Values shown are for Installation Type A: free inlet hemispherical sone levels.

CRDA

Direct Drive Centrifugal Power Roof Ventilators

Applications

The CRDA units are quiet, dependable power roof ventilators recommended for a wide range of general exhaust applications where low and medium ranges of air volume and pressure are specified. Applications include virtually all types of light manufacturing, commercial and institutional buildings such as shopping centers, hospitals, schools, hotels, office and apartment buildings, warehouses, airports, bus terminals and many others.

CRDA units are specified where a roof-mounted location is desired to eliminate interference with other equipment or activities in the building. They permit the direct upward venting of air. CRDA units may be used with or without ducts.

The advantages of a CRDA direct-drive over a belt-drive roof ventilator include lower maintenance requirements, reduced risk of lower performance levels as a result of loosened belts, and lower operating costs.

Construction

CRDA models feature a housing of durable spun aluminum for optimum weather protection. The overlapping deep-spun venturi minimizes air turbulence and increases efficiency.

The aluminum centrifugal wheel is a non-overloading, backward-inclined type, selected for low noise levels. Backplate fins draw cool air through the motor compartment.

The wheel is secured to the machined aluminum hub, and computer balanced on state-of-the-art equipment. The hub features a line bore, which eliminates the need for bushings. Neoprene vibration isolators to reduce noise and wear, 1/2" galvanized mesh birdscreen and factory wired disconnect device are all standard features.

Drive Mechanism

CRDA models have all the advantages of a direct drive assembly. There are no belts, bearings or pulleys to consume power or require maintenance.

Motors

The standard motor for most CRDA models is open drip-proof construction and located out of the airstream. Totally enclosed, energy efficient, two-speed and explosion-proof motors may also be available. All motor brands are recognized and serviced nationwide. Motor enclosure may affect UL Listing.



UL705 - E39944

Type CRDA ventilators are Listed by Underwriters Laboratory Inc. to US and Canadian safety standards.



American Coolair Corporation, ILG Industries certifies that the Type CRDA PRVs shown herein are licensed to bear the AMCA Seal. The ratings shown are based on tests and procedures performed in accordance with AMCA Publication 211 and AMCA Publication 311 and comply with the requirements of the AMCA Certified Ratings Program.

Guide Specifications

Power Roof Ventilators shall be of the CRDA centrifugal type as manufactured by ILG Industries of American Coolair Corporation (individual models to be listed in fan schedule). Units shall meet UL Standard 705 and shall bear the AMCA Certified Ratings Seal for air and sound performance. Base and venturi inlet shall be one piece heavy gauge spun galvanized steel, with wheel and venturi overlapping for efficient operation. Motor compartment cover shall be heavy gauge spun aluminum construction and easily removable for access to motor and drive.

Drive mechanism shall be of the direct-drive design. The line bore hub shall be mounted onto the backplate of the centrifugal wheel. The centrifugal wheel shall be heavy gauge aluminum with backward-inclined, non-overloading blades and be computer balanced.

Motor shall be open construction, NEMA design B. Optional variable speed control on some models allows for field adjustment and system balance. Motor shall be mounted with the shaft down to allow easy access to the electrical terminal board/circuit box.

Backdraft damper, epoxy coating, roof curb and other accessories shall be listed in the fan schedule.)

CRDA06 - CRDA10 Performance Data

CRDA06 CFM at Static Pressure																RPM RANGE OF SELECTED MODELS			RPM	
0.00		.125		.250		.375		.500		.625		.750		1.00		CRDA06A11	CRDA06C16	CRDA06E16		
BHP	Sone	BHP	Sone	BHP	Sone	BHP	Sone	BHP	Sone	BHP	Sone	BHP	Sone	BHP	Sone	BHP	Sone	1/25 HP	1/13 HP	1/10 HP
183																				
0.01	0.5																			550
266		187																		
0.01	1.5	0.01	1.1																	800
316	254	162																		
0.02	2.9	0.02	2.4	0.02	2.1															950
366	315	250	163																	
0.02	4.4	0.03	4.0	0.03	3.7	0.02	3.3													1100
416	371	318	252	174																
0.03	6.3	0.04	5.8	0.04	5.4	0.04	5.1	0.03	4.8											1250
465	424	383	331	262																
0.05	8.1	0.05	7.6	0.05	7.2	0.06	7.0	0.05	6.6											1400
532	494	462	420	375	316															
0.07	10.8	0.08	10.3	0.08	9.8	0.08	9.4	0.08	9.1	0.08	8.7									1600
548	512	481	442	398	348	283														
0.08	11.5	0.08	11.1	0.09	10.5	0.09	10.0	0.09	9.8	0.09	9.4	0.09	9.0							1650

CRDA08 CFM at Static Pressure																RPM RANGE OF SELECTED MODELS			RPM	
0.00		.125		.250		.375		.500		.625		.750		1.00		CRDA08A11	CRDA08C15	CRDA08E16		
BHP	Sone	BHP	Sone	BHP	Sone	BHP	Sone	BHP	Sone	BHP	Sone	BHP	Sone	BHP	Sone	BHP	Sone	1/25 HP	1/13 HP	1/10 HP
239																				
0.01	0.5																			550
347	267																			
0.01	1.4	0.01	1.2																	800
412	349	256																		
0.02	2.7	0.02	2.4	0.02	2.3															950
477	426	360	224																	
0.02	4.2	0.03	3.9	0.03	3.8	0.03	3.7													1100
542	497	444	381	205																
0.03	5.9	0.04	5.6	0.04	5.6	0.05	5.4	0.04	5.2											1250
607	566	524	471	409	237															
0.05	7.6	0.05	7.3	0.06	7.2	0.06	7.1	0.06	7.0	0.05	6.8									1400
672	634	599	554	505	446	303														
0.07	9.4	0.07	9.1	0.08	8.9	0.08	8.9	0.09	8.8	0.09	8.6	0.07	8.4							1550
694	657	624	581	534	482	393														
0.07	10.0	0.08	9.8	0.08	9.6	0.09	9.5	0.09	9.4	0.10	9.3	0.09	9.1							1600

CRDA10 CFM at Static Pressure																RPM RANGE OF SELECTED MODELS			RPM	
0.00		.125		.250		.375		.500		.625		.750		1.00		CRDA10A11	CRDA10C15	CRDA10E15		
BHP	Sone	BHP	Sone	BHP	Sone	BHP	Sone	BHP	Sone	BHP	Sone	BHP	Sone	BHP	Sone	BHP	Sone	1/25 HP	1/13 HP	1/10 HP
316																				
0.01	0.2																			550
460	350																			
0.01	1.9	0.02	1.3																	800
546	459	342																		
0.02	3.2	0.02	2.8	0.03	2.3															950
633	557	471	342																	
0.03	4.8	0.04	4.4	0.04	3.9	0.04	3.5													1100
719	651	582	498	357																
0.05	6.6	0.05	6.3	0.06	5.9	0.06	5.4	0.06	5.0											1250
805	744	687	617	537	405															
0.06	8.0	0.07	7.8	0.08	7.5	0.08	7.1	0.08	6.7	0.08	6.3									1400
863	805	752	691	621	538	226														
0.08	9.2	0.09	9.0	0.09	8.7	0.10	8.3	0.10	7.9	0.10	7.5	0.06	7.2							1500
891	836	784	727	661	586	474														
0.09	9.8	0.10	9.6	0.10	9.3	0.11	8.9	0.11	8.5	0.11	8.1	0.11	7.7							1550

Performance shown is for Type A: free inlet, free outlet. Performance ratings do not include the effects of appurtenances (accessories).
 The sound ratings shown are loudness values in hemispherical sones at 1.5 m (5 ft) in a hemispherical free field calculated per AMCA Standard 301.
 Values shown are for Installation Type A: free inlet hemispherical sone levels.
 AMCA Certified Ratings apply to the CRDA Roof Ventilator constant speed fans and not variable speed fans.

CRDA12 - CRDA13 Performance Data

CRDA12 CFM at Static Pressure																RPM RANGE OF SELECTED MODELS			RPM
0.00		.125		.250		.375		.500		.625		.750		1.00		CRDA12E10	CRDA12J16	CRDA12J17*	
BHP	Sone	BHP	Sone	BHP	Sone	BHP	Sone	BHP	Sone	BHP	Sone	BHP	Sone	BHP	Sone	1/8 HP	1/2 HP	1/2 HP	
623		442																	550
0.01	1.3	0.02	0.7																
736		593																	650
0.02	2.3	0.03	1.7																
850		729		577															750
0.03	3.3	0.04	2.7	0.04	2.5														
963		856		737		557													850
0.05	4.4	0.05	3.8	0.06	3.6	0.06	3.4												
1,076		981		882		762		530											950
0.06	5.4	0.07	5.0	0.08	4.8	0.08	4.7	0.07	4.5										
1,161		1,074		984		879		747											1025
0.08	6.4	0.09	6.0	0.10	5.8	0.10	5.7	0.10	5.5										
1,303		1,225		1,145		1,062		964		843		566							1150
0.11	8.1	0.12	7.7	0.14	7.4	0.14	7.4	0.15	7.3	0.15	7.1	0.12	7.0						
1,473		1,405		1,334		1,264		1,186		1,100		1,002							1300
0.16	10.5	0.18	10.1	0.19	9.8	0.20	9.7	0.21	9.6	0.22	9.6	0.22	9.5						
1,643		1,582		1,519		1,455		1,392		1,322		1,244		1,057					1450
0.23	13.1	0.24	12.8	0.26	12.5	0.27	12.3	0.28	12.2	0.29	12.2	0.30	12.1	0.30	11.9				
1,813		1,758		1,701		1,643		1,586		1,529		1,464		1,322					1600
0.30	15.5	0.32	15.2	0.34	14.9	0.35	14.7	0.37	14.5	0.38	14.4	0.39	14.3	0.40	14.2				
1,915		1,863		1,809		1,755		1,700		1,647		1,590		1,460					1690
0.36	17.1	0.38	16.8	0.39	16.5	0.41	16.2	0.43	16.1	0.44	16.0	0.45	15.9	0.47	15.7				
1,955		1,904		1,851		1,798		1,744		1,692		1,637		1,512					1725
0.38	17.7	0.40	17.4	0.42	17.1	0.43	16.9	0.45	16.7	0.46	16.6	0.47	16.5	0.50	16.3				

CRDA13 CFM at Static Pressure																RPM RANGE OF SELECTED MODELS			RPM
0.00		.125		.250		.375		.500		.625		.750		1.00		CRDA13F11	CRDA13J15	CRDA13K17*	
BHP	Sone	BHP	Sone	BHP	Sone	BHP	Sone	BHP	Sone	BHP	Sone	BHP	Sone	BHP	Sone	1/5 HP	1/2 HP	3/4 HP	
833		635																	550
0.02	2.0	0.03	1.3																
1,023		869		674															675
0.04	3.6	0.04	2.8	0.05	2.3														
1,212		1,087		941		759													800
0.06	5.0	0.07	4.4	0.08	3.9	0.08	3.6												
1,363		1,255		1,130		991		812											900
0.08	6.2	0.10	5.9	0.11	5.4	0.11	5.0	0.11	4.7										
1,515		1,420		1,310		1,192		1,058		890									1000
0.12	7.7	0.13	7.4	0.14	7.0	0.15	6.6	0.15	6.2	0.15	6.0								
1,704		1,622		1,527		1,426		1,319		1,199		1,057							1125
0.17	9.8	0.18	9.5	0.19	9.2	0.20	8.8	0.21	8.4	0.22	8.1	0.21	7.8						
1,894		1,821		1,737		1,649		1,556		1,459		1,352		1,082					1250
0.23	12.2	0.25	12.0	0.26	11.7	0.27	11.4	0.28	11.0	0.29	10.6	0.30	10.3	0.29	9.7				
2,045		1,978		1,903		1,822		1,739		1,651		1,560		1,348					1350
0.29	14.3	0.31	14.1	0.32	13.9	0.34	13.5	0.35	13.2	0.36	12.9	0.37	12.5	0.37	11.9				
2,235		2,174		2,107		2,034		1,960		1,882		1,801		1,629					1475
0.37	16.6	0.39	16.4	0.42	16.2	0.43	15.9	0.44	15.6	0.46	15.3	0.47	15.0	0.48	14.5				
2,386		2,330		2,268		2,201		2,132		2,061		1,987		1,834					1575
0.45	18.3	0.48	18.2	0.50	18.1	0.52	17.8	0.53	17.5	0.54	17.1	0.56	16.8	0.59	16.3				
2,651		2,601		2,547		2,488		2,427		2,365		2,301		2,168					1750
0.62	22	0.65	22	0.67	22	0.70	22	0.72	21	0.73	21	0.74	21	0.78	20				

Performance shown is for Type A: free inlet, free outlet. Performance ratings do not include the effects of appurtenances (accessories).
 The sound ratings shown are loudness values in hemispherical sones at 1.5 m (5 ft) in a hemispherical free field calculated per AMCA Standard 301.
 Values shown are for Installation Type A: free inlet hemispherical sone levels.
 * - These models are not compatible with variable speed control.
 AMCA Certified Ratings apply to the CRDA Roof Ventilator constant speed fans and not variable speed fans.

CRDA15 - CRDA 20 Performance Data

CRDA15 CFM at Static Pressure																RPM RANGE OF SELECTED MODELS			RPM	
0.00		.125		.250		.375		.500		.625		.750		1.00		CRDA15H11	CRDA15K15	CRDA15L17*		
BHP	Sone	BHP	Sone	BHP	Sone	BHP	Sone	BHP	Sone	BHP	Sone	BHP	Sone	BHP	Sone	BHP	Sone	1/3 HP	3/4 HP	1 HP
1,089		930																		550
0.04	2.4	0.04	1.9																	
1,286		1,169		1,015																650
0.06	3.9	0.07	3.2	0.08	3.1															
1,484		1,391		1,250		1,088														750
0.09	5.2	0.10	4.5	0.11	4.3	0.12	4.3													
1,682		1,609		1,493		1,378		1,194												850
0.13	6.8	0.15	6.2	0.16	5.9	0.17	5.8	0.18	5.7											
1,880		1,824		1,722		1,604		1,517		1,334										950
0.19	8.6	0.20	8.0	0.21	7.6	0.23	7.5	0.24	7.3	0.25	7.2									
2,177		2,134		2,053		1,966		1,860		1,785		1,677								1100
0.29	11.9	0.30	11.4	0.32	10.9	0.33	10.7	0.35	10.5	0.36	10.4	0.38	10.2							
2,276		2,237		2,163		2,079		1,984		1,897		1,824								1150
0.33	13.1	0.34	12.6	0.36	12.2	0.38	11.9	0.39	11.7	0.41	11.6	0.43	11.4							
2,474		2,439		2,379		2,301		2,224		2,128		2,056		1,868						1250
0.42	15.6	0.44	15.1	0.46	14.7	0.48	14.4	0.49	14.2	0.51	14.1	0.53	13.9	0.56	13.5					
2,672		2,641		2,593		2,521		2,450		2,375		2,284		2,161						1350
0.53	17.8	0.55	17.4	0.57	17.0	0.59	16.8	0.61	16.5	0.63	16.4	0.65	16.2	0.68	15.8					
2,820		2,791		2,750		2,685		2,617		2,549		2,471		2,333						1425
0.63	20	0.64	19.2	0.66	18.9	0.69	18.6	0.71	18.4	0.72	18.1	0.75	17.7	0.79	17.2					
2,969		2,941		2,904		2,847		2,782		2,718		2,652		2,501						1550
0.73	21	0.75	21	0.77	20	0.79	20	0.82	20	0.83	20	0.85	19.3	0.90	18.8					
3,414		3,391		3,363		3,325		3,273		3,216		3,160		3,046						1725
1.11	26	1.13	26	1.15	25	1.18	25	1.21	24	1.24	24	1.25	24	1.30	24					

CRDA16 CFM at Static Pressure																RPM OF SELECTED MODELS			RPM	
0.00		.125		.250		.375		.500		.625		.750		1.00		CRDA16J8*	CRDA16L11*	CRDA16N17*		
BHP	Sone	BHP	Sone	BHP	Sone	BHP	Sone	BHP	Sone	BHP	Sone	BHP	Sone	BHP	Sone	BHP	Sone	1/2 HP	1 HP	2 HP
2439		2321		2178		2018		1854		1621										825
0.22	8.3	0.24	7.6	0.26	7.2	0.27	6.9	0.28	6.2	0.28	5.9									
3429		3349		3262		3165		3057		2942		2830		2595						1160
0.60	16.8	0.64	15.8	0.67	15.2	0.69	14.9	0.72	14.4	0.74	14.1	0.76	14.0	0.79	12.2					
5173		5121		5067		5012		4954		4894		4830		4693						1750
2.08	31	2.12	30	2.17	29	2.22	29	2.26	28	2.31	28	2.35	28	2.43	27					

CRDA18 CFM at Static Pressure																RPM OF SELECTED MODELS		RPM		
0.00		.125		.250		.375		.500		.625		.750		1.00		CRDA18J8*	CRDA18L11*			
BHP	Sone	BHP	Sone	BHP	Sone	BHP	Sone	BHP	Sone	BHP	Sone	BHP	Sone	BHP	Sone	BHP	Sone	1/2 HP	1 HP	
3,095		2,995		2,824		2,666		2,482		2,233		1,915								825
0.31	11.7	0.33	10.8	0.36	10.5	0.38	9.7	0.40	9.6	0.41	8.9	0.40	8.5							
4,352		4,291		4,208		4,084		3,966		3,856		3,740		3,476						1160
0.86	23	0.89	22	0.93	21	0.97	21	1.01	21	1.04	21	1.06	19.3	1.10	19.9					

CRDA20 CFM at Static Pressure																RPM OF SELECTED MODEL	RPM			
0.00		.125		.250		.375		.500		.625		.750		1.00		CRDA20M11*				
BHP	Sone	BHP	Sone	BHP	Sone	BHP	Sone	BHP	Sone	BHP	Sone	BHP	Sone	BHP	Sone	BHP	Sone	1-1/2 HP		
5,730		5,621		5,506		5,382		5,255		5,130		5,007		4,754						1160
1.45	34	1.49	28	1.54	25	1.59	24	1.64	24	1.67	24	1.68	23	1.73	22					

Performance shown is for Type A: free inlet, free outlet. Performance ratings do not include the effects of appurtenances (accessories).
 The sound ratings shown are loudness values in hemispherical sones at 1.5 m (5 ft) in a hemispherical free field calculated per AMCA Standard 301.
 Values shown are for Installation Type A: free inlet hemispherical sone levels.
 * - These models are not compatible with variable speed control.
 AMCA Certified Ratings apply to the CRDA Roof Ventilator constant speed fans and not variable speed fans.

Installation

Most models are shipped fully assembled and ready for installation. Always inspect equipment for transit damage before accepting delivery to assure a valid claim. Special handling and storage procedures are required if unit is to remain idle for a long time prior to installation.

Placement

All belt-driven units must be accessibly installed for maintenance and servicing of belts, bearings, motors and pulleys. Horizontal operation only is recommended to assure satisfactory damper operation.

Mounting

Satisfactory operation of roof ventilators requires mounting on adequately designed and constructed roof curbs. Prefabricated curbs for convenience in installation are available from ILG. Install with base of unit horizontal. Provide adequate caulking, flashing or other weatherproofing means.

Inspection

Check centrifugal wheel for free rotation.
Check belt for proper tension (CRBCA & CRBA).
Check bearings for proper and secure locking to drive shaft (CRBA).
Check motor and fan sheave faces for proper alignment (CRBCA & CRBA).
Check circuit phase, voltage and wiring connection against that shown on motor nameplate.
Check direction of fan rotation for proper air flow.
After one week of operation, check belt for proper tension (CRBCA & CRBA).

Maintenance

Units should be checked monthly for the first two or three months and periodically thereafter. Units should be cleaned periodically and checked for eroded parts which should be replaced to avoid structural damage and possible failure. Proper lubrication is the most important maintenance requirement. CRBA units should be lubricated as necessary based on usage and operating conditions. "C-Drive" bearings on all CRBCA units are permanently sealed and require **no** lubrication. Motor bearings should be lubricated according to the motor manufacturer's instructions.

Adjustment of Variable Pitch Pulley and Belt (CRBCA & CRBA)

Variable pitch pulley may be adjusted within catalog RPM range to alter performance without motor overload. Pulley alignment and belt tension should be adjusted if necessary. Inspection every 6 to 12 months is recommended.

Options & Accessories

Prefabricated Roof Curbs

Insulated roof curbs with weather-resistant continuous welded construction are available for convenience in installation for both insulated and non-insulated roof decks.

Special Motors

Two-speed, totally enclosed, energy efficient and explosion-proof motors for hazardous locations may be available for many models. Motor requirements may affect UL Listing.

Backdraft Dampers

Gravity or motor operated backdraft dampers are available. They are aluminum construction and designed for installation in prefabricated roof curbs.

Safety Disconnects

Safety disconnects cut power to motor for servicing of unit. A disconnect device is standard on all CRDA units and an option for CRBA and CRBCA units. It may be shipped loose for field installation or factory mounted and wired.

Protective Coatings

Fan units are not recommended for exhausting air of a corrosive nature. However, special protective coatings are available where units may be exposed to corrosive exterior conditions. Parts requiring painting are processed through the American Coolair five-stage pretreatment system prior to the application of any coatings to insure maximum finish adhesion. These parts use a thermosetting epoxy powder paint with an average thickness of 3 mils and baked at 400°F to a smooth, hard continuous finish. Consult your ILG Industries representative for available coatings.

Roof Handle

Aluminum handle facilitates removal of roof.

WARNING



CAUTION

DO NOT INSTALL FAN WITH MOVING PARTS WITHIN 8 FEET OF FLOOR OR GRADE LEVEL WITHOUT A GUARD THAT COMPLIES WITH OSHA REGULATIONS. **DO NOT** USE UNLESS ELECTRICAL WIRING COMPLIES WITH ALL APPLICABLE CODES. **DO NOT** WIRE WITHOUT PROVIDING FOR A POWER SOURCE DISCONNECT AT THE FAN ITSELF. **DO NOT** SERVICE EXCEPT BY A QUALIFIED MAINTENANCE TECHNICIAN AND ONLY AFTER DISCONNECTING THE POWER SOURCE. FAILURE TO OBSERVE THESE PRECAUTIONS CAN RESULT IN SERIOUS INJURY OR DEATH.

To convert air performance (CFM and SP) and power (BHP) to metric units, multiply CFM x .000472 to obtain cubic meters per second (m³/s). Multiply SP x 248.36 to obtain pascals (Pa). Multiply BHP x .7457 to obtain kilowatts (kW).

Example: 3904 CFM x .000472 = 1.8427 m³/s
0.125 SP x 24.36 = 31.05 Pa
0.886 BHP x .7457 = 0.661 kW

CRBCA Specification Checklist

General exhaust units for low to medium air volumes in commercial, institutional and light manufacturing buildings. Centrifugal design with advantages of compact, attractive appearance, quiet operation and performance against higher static pressures. Variable pitch belt drive allows for speed adjustment. Hinged motor bracket with a belt tensioning bolt. Weatherproof heavy duty aluminum housing and motor compartment cover resist corrosion and maintain appearance. Deep-spun, overlapping, one-piece venturi minimizes noise, reduces air turbulence and improves efficiency. "C-Drive" design provides a calculated L10 bearing life in excess of 1,000,000 hours with its unique radial loading elimination design. Aluminum centrifugal wheel is quiet, non-overloading, backward-inclined design and is computer balanced. Standard open drip-proof motor is out of the airstream for protection. The motor's electrical connection terminal board is up for easy and convenient electrical connection and servicing. Positively cooled motor compartment with forced air ventilation system extends motor life. UL Label (UL 705) for general ventilation. Conduit raceway for ease in connecting to power supply. AMCA Seal assures certified rating of air and sound performance. Birdscreen prevents entry of birds or other potentially damaging objects. Heavy duty neoprene isolators eliminate metal-to-metal contact, reducing vibration and sound.

CRBA Specification Checklist

Units provide general exhaust of low, medium and high air volumes in commercial, institutional and light manufacturing buildings. Centrifugal design has advantages of compact, attractive appearance, quiet operation and performance against higher static pressures. Variable pitch belt drive allows for speed adjustment. Hinged motor bracket with belt tensioning bolt(s). Weatherproof heavy duty aluminum housing and motor compartment cover resist corrosion and maintain appearance. Deep-spun, overlapping, one-piece venturi minimizes noise, reduces air turbulence and improves efficiency. Centrifugal wheel is quiet, non-overloading, backward-inclined design and is computer balanced. Standard open drip-proof motor is out of the airstream for protection. The motor is mounted with the shaft up for convenient access to the variable pitch cast iron motor pulley. Motor compartment is cooled by a forced air ventilation system, extending motor life. UL Label (UL 705) for general ventilation. Conduit raceway allows for ease in connecting to power supply. AMCA Seal assures certified rating of air and sound performance. Birdscreen prevents entry of birds or other potentially damaging objects. Heavy duty neoprene isolators eliminate metal-to-metal contact, reducing vibration and sound. Heavy duty pillow-block bearings with cast iron housing are self-aligning and relubricable.

CRDA Specification Checklist

General exhaust units for low to medium air volumes in commercial, institutional and light manufacturing buildings. Centrifugal design with advantages of compact, attractive appearance, quiet operation and performance against higher static pressures. Spun aluminum housing for durable weather protection and attractive appearance. Direct-drive advantages of minimal maintenance and operating costs. Deep-spun, overlapping, one piece venturi minimizes noise, reduces air turbulence and improves efficiency. Aluminum centrifugal wheel is quiet, non-overloading, backward-inclined design and is computer balanced. Standard open motor is out of the airstream for protection. The motor's electrical connection terminal board is up for easy and convenient electrical connection and servicing. Positively cooled motor compartment with forced air ventilation system extends motor life. UL Label (UL 705) for general ventilation. Safety disconnect device enables cut-off of power to unit for servicing. Birdscreen prevents entry of birds or other potentially damaging objects. Factory run and tested prior to shipment for dependable operation. AMCA Seal assures certified rating of air and sound performance.

Limited Warranty

In the sale of its products, American Coolair Corporation agrees to correct, by repairs or replacement, any defects in workmanship or material that may develop under proper and normal use during the period of one year from the date of shipment from the factory. Any product or part proving, upon American Coolair's examination, to be defective during limited warranty period will be repaired or replaced, at American Coolair's option, f.o.b. factory, without charge.

Deterioration or wear caused by chemicals, abrasive action or excessive heat shall not constitute defects.

Motors are guaranteed only to the extent of the manufacturer's warranty.

American Coolair's limited warranty does not apply to any of its products or parts that have been subject to accidental damage, misuse by the user, unauthorized alterations, improper installation or electrical wiring, or lack of proper lubrication or other service requirements as established by American Coolair.

Repairs or replacements provided under the above terms shall constitute fulfillment of all American Coolair's obligations with respect to limited warranty.

THE LIMITED WARRANTY STATED HEREIN IS IN LIEU OF ALL OTHER WARRANTIES, EXPRESS, STATUTORY OR IMPLIED, INCLUDING WITHOUT LIMITATION THAT OF MERCHANTABILITY AND FITNESS.

NO LIABILITY FOR REINSTALLATION COST OR FOR ANY SPECIAL, INDIRECT OR CONSEQUENTIAL DAMAGES OF ANY NATURE IS ASSUMED OR SHALL BE IMPOSED UPON AMERICAN COOLAIR.



AMERICAN COOLAIR CORPORATION

REPRESENTED BY:

JACKSONVILLE, FLORIDA 32203-2300 ~ P.O. BOX 2300 ~ (904) 389 3646 ~ FAX (904) 387 3449 ~ E-MAIL - info@coolair.com ~ WEBSITE - coolair.com
VANE AXIAL FANS ~ TUBE AXIAL FANS ~ PROPELLER FANS ~ POWER ROOF VENTILATORS ~ CENTRIFUGAL VENTILATORS
MEMBER OF AMCA

Form No. 725-15-4 (December, 2008)

