

FLAT OVAL DUCT

and FITTINGS



ECCO™ is proud to be a member of:



SMACNA
Sheet Metal and Air
Conditioning Contractors'
National Association
www.smacna.org



HRAI
Heating, Refrigeration and
Air Conditioning
Institute of Canada
www.hrai.ca



HARDI
Heating, Air-conditioning
& Refrigeration
Distributors International
www.hardinet.org



ADI
Air
Distribution
Institute
www.steelduct.org



AD
Affiliated Distributors™
www.adhq.com



CME
Canadian
Manufacturers &
Exporters
www.cme-mec.ca



SPIDA
Spiral Duct
Manufacturers
Association
www.spida.org



FLAT OVAL DUCT AND FITTINGS

INDEX

GALVANIZED FLAT OVAL DUCT

FITTINGS	E1-9
ACCESSORIES	E1-15 – E1-17
CROSSES	E1-13
ELBOWS	E1-10
GAUGE CHART TO 10" W.G.	E1-3
LATERALS	E1-12
TEES	E1-11
TRANSITIONS	E1-14
MINOR AXIS 3" – 8" FOR PRESSURE APPLICATIONS TO 10" W.G.	E1-4
MINOR AXIS 10" – 12" FOR PRESSURE APPLICATIONS TO 10" W.G.	E1-5
MINOR AXIS 14" – 16" FOR PRESSURE APPLICATIONS TO 10" W.G.	E1-6
MINOR AXIS 18" – 20" FOR PRESSURE APPLICATIONS TO 10" W.G.	E1-7
MINOR AXIS 22" – 24" FOR PRESSURE APPLICATIONS TO 10" W.G.	E1-8
MINOR AXIS 26" FOR PRESSURE APPLICATIONS TO 10" W.G.	E1-9
PRODUCT AND CONSTRUCTION DATA	E1-3
PROFILE	E1-3
VANE CHART	E1-9

LEGEND

NOTE: The boxed columns throughout the tables are intended to provide a quick determination of ordering dimensions.

ABBREVIATIONS: EQUIV. = Equivalent
 WT (LBS/FT) = Weight pounds per foot

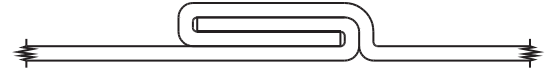
– E.&O.E. – Subject to Change Without Notice – May Not Be Available At All Locations –



FLAT OVAL DUCT AND FITTINGS

GALVANIZED FLAT OVAL DUCT PRODUCT AND CONSTRUCTION DATA

- Flat oval duct is machine-made from round spiral lockseamed duct. The oval shape produces less of a flat surface therefore making it less susceptible to vibration than rectangular ducts which reduces the need for rod and angle iron reinforcement.
- Flat oval duct can be supplied in lengths of up to 12 feet, producing fewer joints to reduce friction loss and installation costs.
- The hanger installation details applicable to rectangular duct are generally applicable to flat oval duct.
- The equivalent round is used to find the friction loss.



Features:

- Airtight 4-ply lockseam
- Low friction loss
- Light weight
- Long lengths

Base Materials:

- Aluminum
- Cold rolled steel
- Galvanized steel
- Perforated steel
- Polyvinyl chloride (PVC) coated steel
- Pre-painted steel
- Stainless steel
- Wiped coat (Galvannealed)

GALVANIZED FLAT OVAL DUCT PROFILE

All the sizes in this catalog are based on Type 2-LC profile which has two light reinforcing corrugations for added strength. It will not develop excessive pressure losses at low velocities.

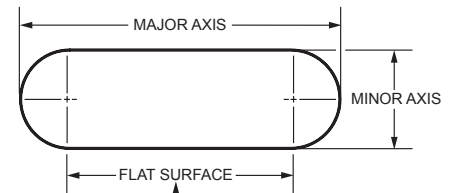


GALVANIZED FLAT OVAL DUCT FITTING GAUGE CHART TO 10" W.G.

MAJOR AXIS DUCT WIDTH (")	SPIRAL SEAM GAUGE	FITTING GAUGE
To 24	24	20
26 to 36	22	20
38 to 48	22	18
50 to 60	20	18
62 to 70	20	16
71 and up	18	16



*Flat Oval is for positive pressure application only.



HANGERS BASED ON FLAT SURFACE AREA, USING RECTANGULAR DUCT HANGER SPECIFICATIONS.

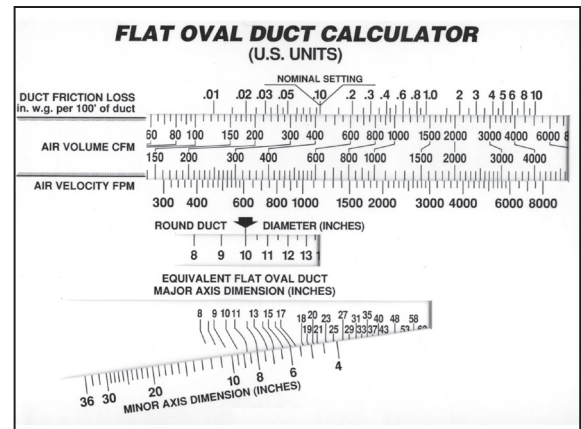
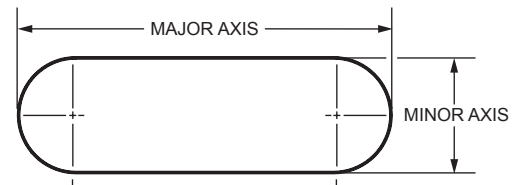
– E.&O.E. – Subject to Change Without Notice – May Not Be Available At All Locations –



FLAT OVAL DUCT AND FITTINGS

GALVANIZED FLAT OVAL DUCT MINOR AXIS 3" – 8" FOR PRESSURE APPLICATIONS TO 10" W.G.

ITEM #	NOMINAL SIZE (")	GA	MAJOR AXIS (")	MINOR AXIS (")	EQUIV. ROUND (")	SPIRAL USED (")	WT LBS/FT
440312	12 x 3	24	12.4	3	6.4	9	3.05
440314	14 x 3	24	14.0	3	6.7	10	3.39
440315	16 x 3	24	15.7	3	7.0	11	3.73
440317	17 x 3	24	17.2	3	7.3	12	4.07
440413	14 x 4	24	13.5	4	7.5	10	3.39
440415	15 x 4	24	15.1	4	8.0	11	3.73
440416	17 x 4	24	16.6	4	8.3	12	4.07
440418	18 x 4	24	18.2	4	8.7	13	4.41
440420	20 x 4	24	19.8	4	9.0	14	4.74
440513	13 x 5	24	12.9	5	8.3	10	3.39
440514	15 x 5	24	14.6	5	8.8	11	3.73
440516	16 x 5	24	16.0	5	9.3	12	4.07
440517	18 x 5	24	17.7	5	9.8	13	4.41
440519	19 x 5	24	19.2	5	10.0	14	4.74
440521	21 x 5	24	20.8	5	10.5	15	5.09
440612	12 x 6	24	12.3	6	9.0	10	3.39
440614	14 x 6	24	14.0	6	9.5	11	3.73
440615	15 x 6	24	15.5	6	10.0	12	4.07
440617	17 x 6	24	17.1	6	10.5	13	4.41
440619	19 x 6	24	18.6	6	11.0	14	4.74
440620	20 x 6	24	20.3	6	11.5	15	5.09
440622	22 x 6	24	21.8	6	11.8	16	5.42
440625	25 x 6	22	25.0	6	12.5	18	7.43
440628	28 x 6	22	28.0	6	13.2	20	8.25
440632	31 x 6	22	31.2	6	13.8	22	9.08
440635	35 x 6	22	34.3	6	14.3	24	9.91
440638	38 x 6	22	37.5	6	14.9	26	10.73
440641	41 x 6	22	40.7	6	15.4	28	11.56
440644	44 x 6	22	43.8	6	15.9	30	12.38
440647	47 x 6	22	47.0	6	16.3	32	13.21
440650	50 x 6	20	50.1	6	16.7	34	16.56
440653	53 x 6	20	53.3	6	17.1	36	17.53
440813	13 x 8	24	12.8	8	10.5	11	3.73
440814	14 x 8	24	14.3	8	11.2	12	4.07
440816	16 x 8	24	15.9	8	11.7	13	4.41
440818	18 x 8	24	17.5	8	12.3	14	4.74
440819	19 x 8	24	19.1	8	12.9	15	5.09
440821	21 x 8	24	20.7	8	13.5	16	5.42
440824	24 x 8	24	23.8	8	14.4	18	6.10
440827	27 x 8	22	26.9	8	15.2	20	8.25
440830	30 x 8	22	30.0	8	15.9	22	9.08
440833	33 x 8	22	33.2	8	16.6	24	9.91
440837	37 x 8	22	36.4	8	17.3	26	10.73
440840	40 x 8	22	39.5	8	17.9	28	11.56
440843	43 x 8	22	42.7	8	18.5	30	12.38
440846	46 x 8	22	45.9	8	19.1	32	13.21
440849	49 x 8	20	49.0	8	19.6	34	16.56
440852	52 x 8	20	52.2	8	20.2	36	17.53



NOTE: Pricing will be based on Type 2–LC Profile.

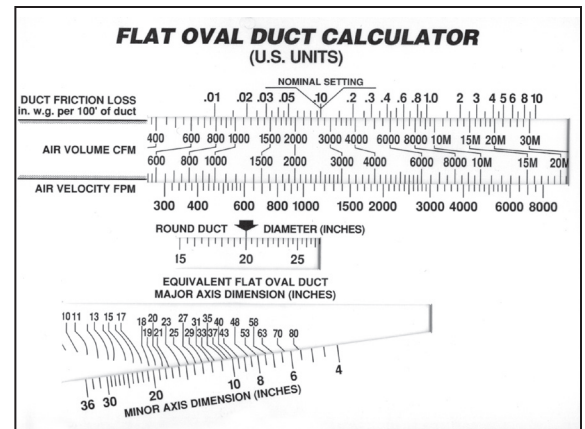
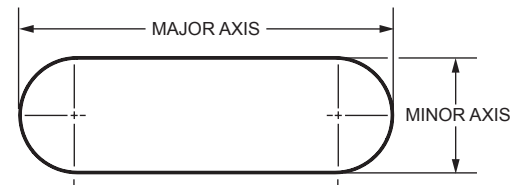
– E.&O.E. – Subject to Change Without Notice – May Not Be Available At All Locations –



FLAT OVAL DUCT AND FITTINGS

GALVANIZED FLAT OVAL DUCT MINOR AXIS 10" – 12" FOR PRESSURE APPLICATIONS TO 10" W.G.

ITEM #	NOMINAL SIZE (")	GA	MAJOR AXIS (")	MINOR AXIS (")	EQUIV. ROUND (")	SPIRAL USED (")	WT LBS/FT
441013	13 x 10	24	13.2	10	11.8	12	4.07
441015	15 x 10	24	14.8	10	12.5	13	4.41
441016	16 x 10	24	16.4	10	13.4	14	4.74
441018	18 x 10	24	18.0	10	14.1	15	5.09
441020	20 x 10	24	19.5	10	14.7	16	5.42
441023	23 x 10	24	22.7	10	15.7	18	6.10
441026	26 x 10	22	25.7	10	16.7	20	8.25
441029	29 x 10	22	28.9	10	17.7	22	9.08
441032	32 x 10	22	32.1	10	18.5	24	9.91
441036	35 x 10	22	35.2	10	19.3	26	10.73
441039	39 x 10	22	38.4	10	20.1	28	11.56
441042	42 x 10	22	41.5	10	20.8	30	12.38
441045	45 x 10	22	44.7	10	21.5	32	13.21
441048	48 x 10	22	47.9	10	22.1	34	14.03
441051	51 x 10	20	51.0	10	22.8	36	17.53
441054	54 x 10	20	54.2	10	23.3	38	18.51
441058	58 x 10	20	57.7	10	23.8	40	19.48
441061	61 x 10	20	60.5	10	24.4	42	20.46
441064	64 x 10	20	63.7	10	25.0	44	21.42
441067	67 x 10	20	66.9	10	25.5	46	22.41
441070	70 x 10	20	70.0	10	26.0	48	23.36
441073	73 x 10	18	73.5	10	26.4	50	32.95
441076	77 x 10	18	76.6	10	27.0	52	34.27
441215	15 x 12	24	15.2	12	13.8	14	4.74
441218	18 x 12	24	18.4	12	15.3	16	5.42
441221	22 x 12	24	21.5	12	16.7	18	6.10
441225	25 x 12	22	24.6	12	18.0	20	8.25
441228	28 x 12	22	27.7	12	19.1	22	9.08
441231	31 x 12	22	30.9	12	20.1	24	9.91
441234	34 x 12	22	34.1	12	20.9	26	10.73
441238	37 x 12	22	37.2	12	21.9	28	11.56
441241	41 x 12	22	40.4	12	22.7	30	12.38
441244	44 x 12	22	43.6	12	23.5	32	13.21
441247	47 x 12	22	46.7	12	24.3	34	14.03
441250	50 x 12	20	49.9	12	25.0	36	17.53
441253	53 x 12	20	53.1	12	25.7	38	18.51
441256	56 x 12	20	56.6	12	26.3	40	19.48
441260	60 x 12	20	59.4	12	26.9	42	20.46
441263	63 x 12	20	62.6	12	27.5	44	21.42
441266	66 x 12	20	65.7	12	28.1	46	22.41
441269	69 x 12	20	68.9	12	28.7	48	23.36
441272	72 x 12	18	72.4	12	29.2	50	32.95
441276	75 x 12	18	75.5	12	29.7	52	34.27
441279	79 x 12	18	78.6	12	30.4	54	35.59



NOTE: Pricing will be based on Type 2–LC Profile.

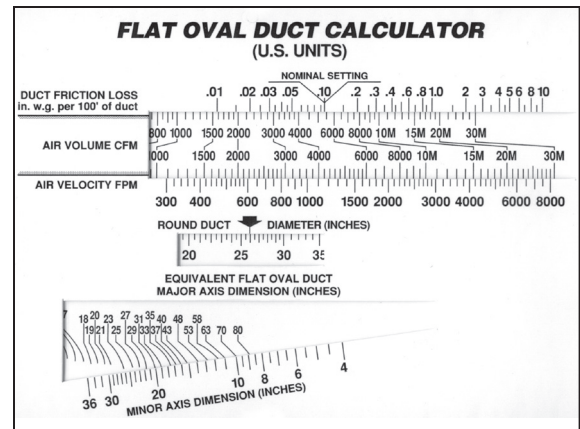
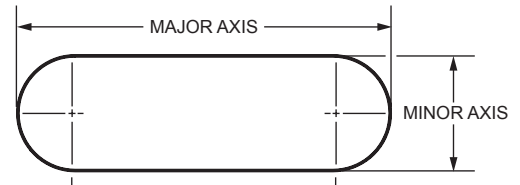
– E.&O.E. – Subject to Change Without Notice – May Not Be Available At All Locations –



FLAT OVAL DUCT AND FITTINGS

GALVANIZED FLAT OVAL DUCT MINOR AXIS 14" – 16" FOR PRESSURE APPLICATIONS TO 10" W.G.

ITEM #	NOMINAL SIZE (")	GA	MAJOR AXIS (")	MINOR AXIS (")	EQUIV. ROUND (")	SPIRAL USED (")	WT LBS/FT
441417	17 x 14	24	17.2	14	16.0	16	5.42
441420	20 x 14	24	20.4	14	17.5	18	6.10
441423	24 x 14	24	23.4	14	18.9	20	6.78
441427	27 x 14	22	26.6	14	20.2	22	9.08
441430	30 x 14	22	29.8	14	21.3	24	9.91
441433	33 x 14	22	33.0	14	22.4	26	10.73
441436	36 x 14	22	36.1	14	23.4	28	11.56
441440	39 x 14	22	39.3	14	24.4	30	12.38
441443	43 x 14	22	42.5	14	25.3	32	13.21
441446	46 x 14	22	45.6	14	26.1	34	14.63
441449	49 x 14	20	48.8	14	26.9	36	17.53
441452	52 x 14	20	51.9	14	27.7	38	18.51
441455	55 x 14	20	55.4	14	28.4	40	19.48
441458	58 x 14	20	58.3	14	29.1	42	20.46
441462	61 x 14	20	61.4	14	29.8	44	21.42
441465	65 x 14	20	64.6	14	30.5	46	22.41
441468	68 x 14	20	67.8	14	31.1	48	23.36
441471	71 x 14	18	71.3	14	31.7	50	32.95
441475	74 x 14	18	74.4	14	32.3	52	34.27
441477	77 x 14	18	77.4	14	32.9	54	35.59
441481	81 x 14	18	80.5	14	33.6	56	36.90
441626	26 x 16	22	25.5	16	21.0	22	9.08
441629	29 x 16	22	28.7	16	22.3	24	9.91
441632	32 x 16	22	31.8	16	23.5	26	10.73
441635	35 x 16	22	35.0	16	24.7	28	11.56
441638	38 x 16	22	38.1	16	25.7	30	12.38
441642	41 x 16	22	41.3	16	26.8	32	13.21
441645	45 x 16	22	44.4	16	27.7	34	14.03
441648	48 x 16	22	47.6	16	28.6	36	14.87
441651	51 x 16	20	50.8	16	29.4	38	18.51
441654	54 x 16	20	54.3	16	30.2	40	19.48
441657	57 x 16	20	57.1	16	31.0	42	20.46
441660	60 x 16	20	60.3	16	31.8	44	21.42
441664	64 x 16	20	63.4	16	32.5	46	22.41
441667	67 x 16	20	66.6	16	33.3	48	23.36
441670	70 x 16	20	70.1	16	34.1	50	24.37
441673	73 x 16	18	73.2	16	34.6	52	34.27
441676	76 x 16	18	76.3	16	35.3	54	35.59
441679	79 x 16	18	79.4	16	35.9	56	36.90



NOTE: Pricing will be based on Type 2-LC Profile.

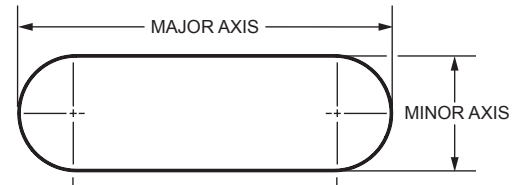
-E.&O.E. - Subject to Change Without Notice - May Not Be Available At All Locations -



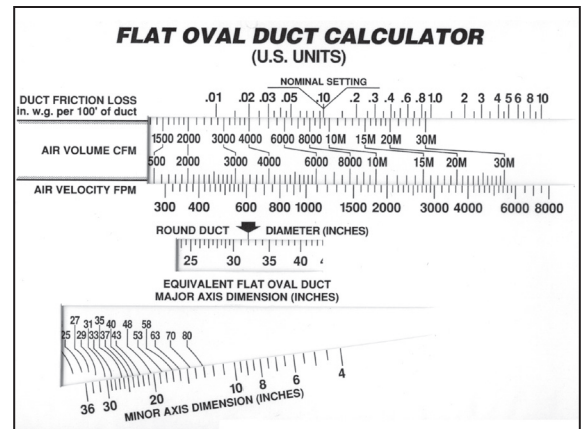
FLAT OVAL DUCT AND FITTINGS

GALVANIZED FLAT OVAL DUCT MINOR AXIS 18" – 20" FOR PRESSURE APPLICATIONS TO 10" W.G.

ITEM #	NOMINAL SIZE (")	GA	MAJOR AXIS (")	MINOR AXIS (")	EQUIV. ROUND (")	SPIRAL USED (")	WT LBS/FT
441828	28 x 18	22	27.5	18	23.1	24	9.91
441831	31 x 18	22	30.7	18	24.5	26	10.73
441834	34 x 18	22	33.8	18	25.7	28	11.56
441837	37 x 18	22	37.0	18	27.0	30	12.38
441840	40 x 18	22	40.2	18	28.1	32	13.21
441844	43 x 18	22	43.3	18	29.1	34	14.03
441847	47 x 18	22	46.5	18	30.2	36	14.87
441850	50 x 18	20	49.6	18	31.1	38	18.51
441853	53 x 18	20	53.1	18	32.0	40	19.48
441856	56 x 18	20	56.0	18	32.9	42	20.46
441859	59 x 18	20	59.1	18	33.7	44	21.42
441862	63 x 18	20	62.3	18	34.5	46	22.41
441866	65 x 18	20	65.5	18	35.4	48	23.36
441869	69 x 18	20	69.0	18	36.0	50	24.37
441872	72 x 18	18	72.0	18	36.5	52	34.27
441875	75 x 18	18	75.1	18	37.5	54	35.59
441878	78 x 18	18	78.3	18	38.1	56	36.90
441881	81 x 18	18	81.3	18	38.8	58	38.22
442027	27 x 20	22	26.4	20	23.6	24	9.91
442030	30 x 20	22	29.5	20	25.2	26	10.73
442033	33 x 20	22	32.7	20	26.6	28	11.56
442036	36 x 20	22	35.8	20	28.0	30	12.38
442039	39 x 20	22	39.0	20	29.2	32	13.21
442042	42 x 20	22	42.2	20	30.3	34	14.03
442046	45 x 20	22	45.3	20	31.5	36	14.87
442049	49 x 20	20	48.5	20	32.5	38	18.51
442052	52 x 20	20	52.0	20	33.5	40	19.48
442055	55 x 20	20	54.8	20	34.4	42	20.46
442058	58 x 20	20	58.0	20	35.5	44	21.42
442061	61 x 20	20	61.1	20	36.2	46	22.41
442064	64 x 20	20	64.3	20	37.1	48	23.36
442068	68 x 20	20	67.8	20	38.0	50	24.37
442071	71 x 20	18	70.9	20	38.5	52	34.27
442074	74 x 20	18	74.0	20	39.5	54	35.59
442077	77 x 20	18	77.1	20	40.2	56	36.90
442080	80 x 20	18	80.1	20	40.4	58	38.22



NOTE: Pricing will be based on Type 2-LC Profile.



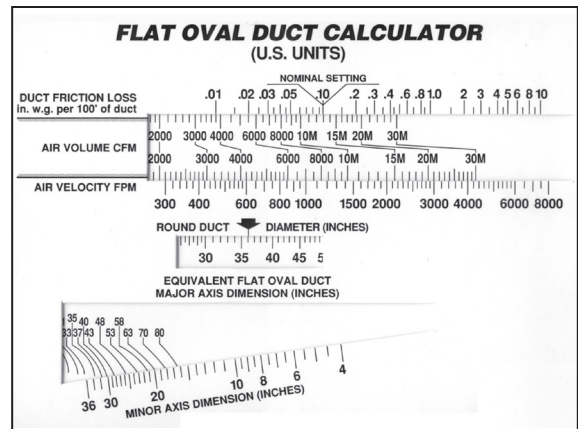
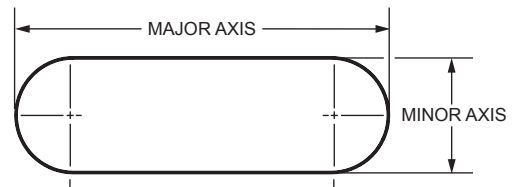
-E.&O.E. - Subject to Change Without Notice - May Not Be Available At All Locations -



FLAT OVAL DUCT AND FITTINGS

GALVANIZED FLAT OVAL DUCT MINOR AXIS 22" – 24" FOR PRESSURE APPLICATIONS TO 10" W.G.

ITEM #	NOMINAL SIZE (")	GA	MAJOR AXIS (")	MINOR AXIS (")	EQUIV. ROUND (")	SPIRAL USED (")	WT LBS/FT
442231	32 x 22	22	31.5	22	27.2	28	11.56
442235	35 x 22	22	34.7	22	28.7	30	12.38
442238	38 x 22	22	37.9	22	30.0	32	13.21
442241	41 x 22	22	41.0	22	31.3	34	14.03
442244	44 x 22	22	44.2	22	32.5	36	14.87
442247	48 x 22	22	47.3	22	33.7	38	15.69
442250	51 x 22	20	50.9	22	34.8	40	19.48
442253	54 x 22	20	53.7	22	35.8	42	20.46
442257	57 x 22	20	56.8	22	36.7	44	21.42
442260	60 x 22	20	60.0	22	37.8	46	22.41
442263	63 x 22	20	63.2	22	38.7	48	23.36
442266	67 x 22	20	66.7	22	39.6	50	24.37
442269	70 x 22	20	69.8	22	40.4	52	25.34
442272	73 x 22	18	72.9	22	41.1	54	35.59
442276	76 x 22	18	76.0	22	42.2	56	36.90
442279	79 x 22	18	79.0	22	42.9	58	38.22
442430	31 x 24	22	30.4	24	28.1	28	11.56
442434	34 x 24	22	33.6	24	30.8	30	12.38
442437	37 x 24	22	36.7	24	30.8	32	13.21
442440	40 x 24	22	39.9	24	32.2	34	14.03
442443	43 x 24	22	43.1	24	33.5	36	14.87
442446	46 x 24	22	41.2	24	34.7	38	15.69
442449	50 x 24	20	49.7	24	35.9	40	19.48
442453	53 x 24	20	52.6	24	37.0	42	20.46
442456	56 x 24	20	55.7	24	38.1	44	21.42
442459	59 x 24	20	58.9	24	39.2	46	22.41
442463	62 x 24	20	62.1	24	40.1	48	23.36
442466	65 x 24	20	65.6	24	41.1	50	24.37
442469	69 x 24	20	68.6	24	42.0	52	25.34
442471	72 x 24	18	71.7	24	43.1	54	35.59
442474	75 x 24	18	74.8	24	43.9	56	36.90
442478	78 x 24	18	77.8	24	44.7	58	38.22
442481	81 x 24	18	81.1	24	45.6	60	39.54



NOTE: Pricing will be based on Type 2-LC Profile.

-E.&O.E. - Subject to Change Without Notice - May Not Be Available At All Locations -



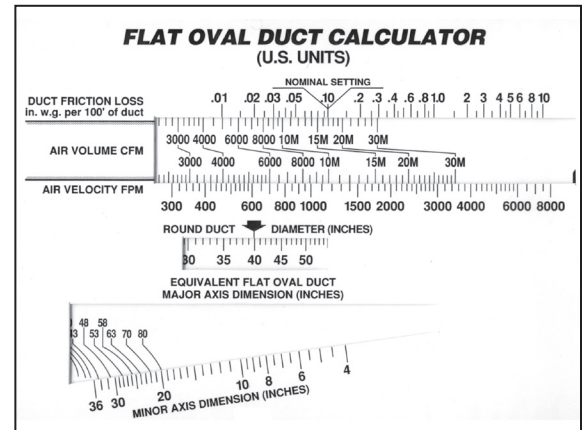
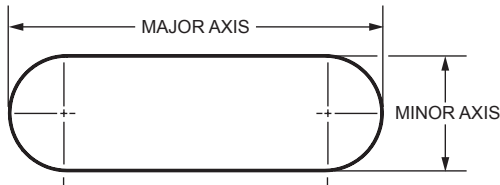
FLAT OVAL DUCT AND FITTINGS

GALVANIZED FLAT OVAL DUCT MINOR AXIS 26" FOR PRESSURE APPLICATIONS TO 10" W.G.

ITEM #	NOMINAL SIZE (")	GA	MAJOR AXIS (")	MINOR AXIS (")	EQUIV. ROUND (")	SPIRAL USED (")	WT LBS/FT
442636	36 x 26	22	35.6	26	31.5	32	13.21
442639	39 x 26	22	38.7	26	33.0	34	14.03
442642	42 x 26	22	41.9	26	34.4	36	14.87
442645	45 x 26	22	45.1	26	35.8	38	15.69
442648	48 x 26	22	48.6	26	37.1	40	16.50
442652	52 x 26	20	51.4	26	38.3	42	20.46
442655	55 x 26	20	59.6	26	39.5	44	21.42
442658	58 x 26	20	57.7	26	40.6	46	22.41
442661	61 x 26	20	60.9	26	41.6	48	23.36
442664	64 x 26	20	64.4	26	42.7	50	24.37
442667	67 x 26	20	67.5	26	43.7	52	25.34
442671	71 x 26	18	70.6	26	44.6	54	35.59
442674	74 x 26	18	73.7	26	45.6	56	36.90
442677	77 x 26	18	76.7	26	46.5	58	38.22
442680	80 x 26	18	80.0	26	47.5	60	39.54



NOTE: Pricing will be based on Type 2-LC Profile.



GALVANIZED FLAT OVAL DUCT FITTINGS

ECCO Flat Oval Duct fittings are produced from galvanized steel meeting SMACNA HVAC Duct Construction Standards.

When ordering:

- Specify type and list all dimensions.
- Describe any variations from standard.
- Standard end connection shall be 2" in length and is considered to be the sleeve for slip joint assembly of flat oval duct to fittings.
- The drawings shown are illustrative of the types of fittings manufactured.
- Flat Oval Duct is to be used in **positive pressure** applications only.
- Vanstone, Ovalmate™ and other flange connections are available by special order.

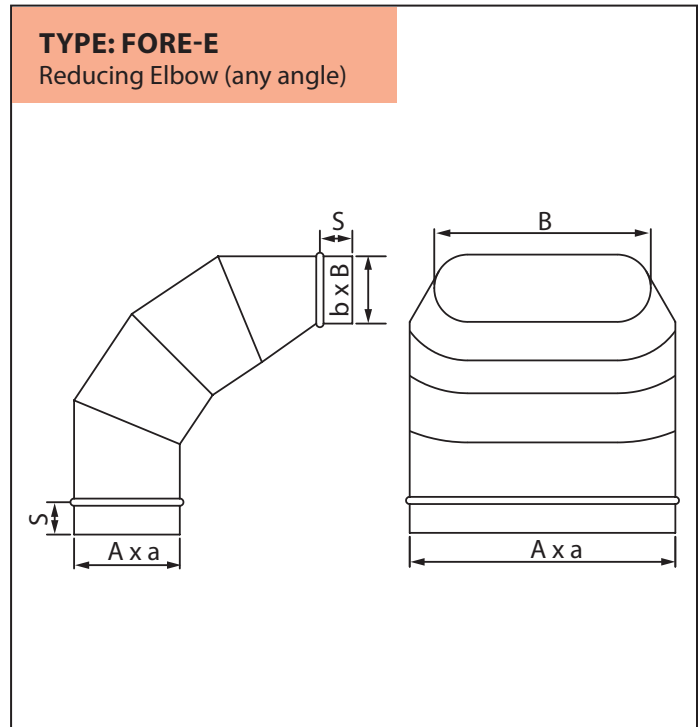
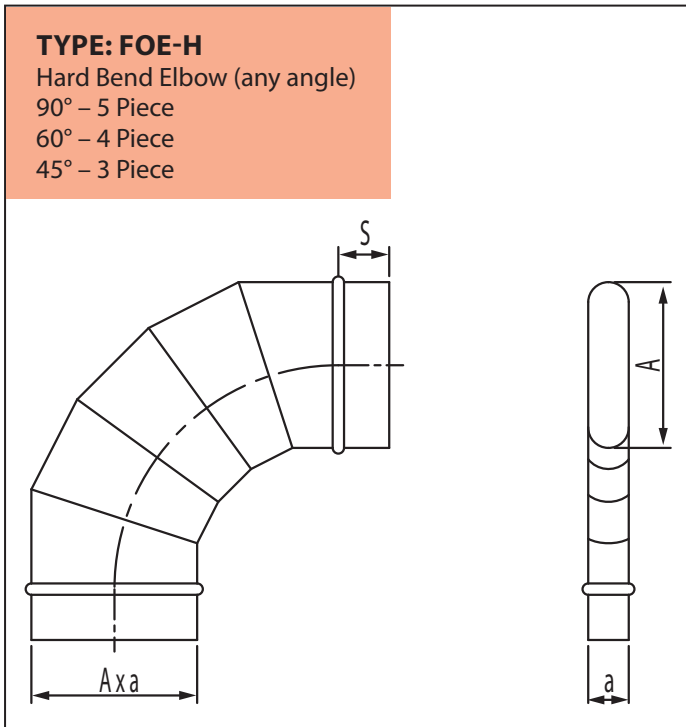
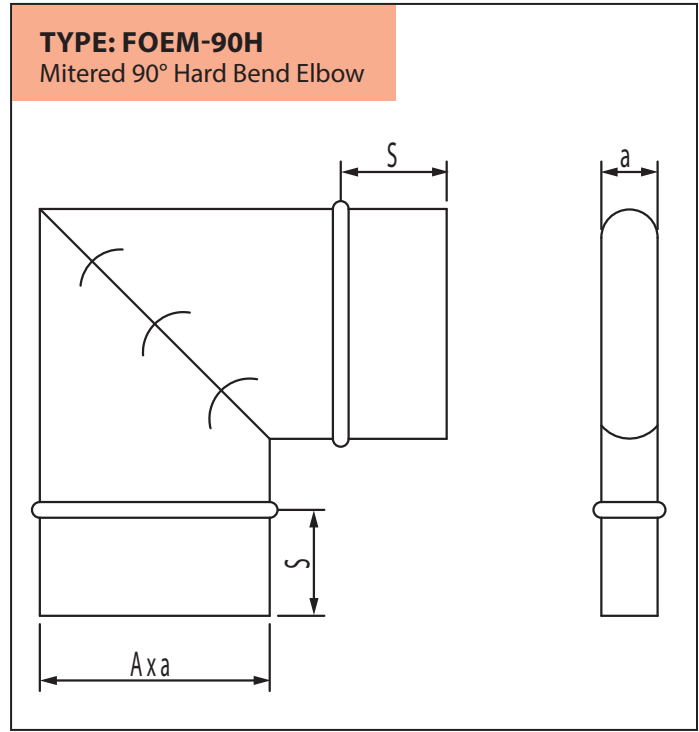
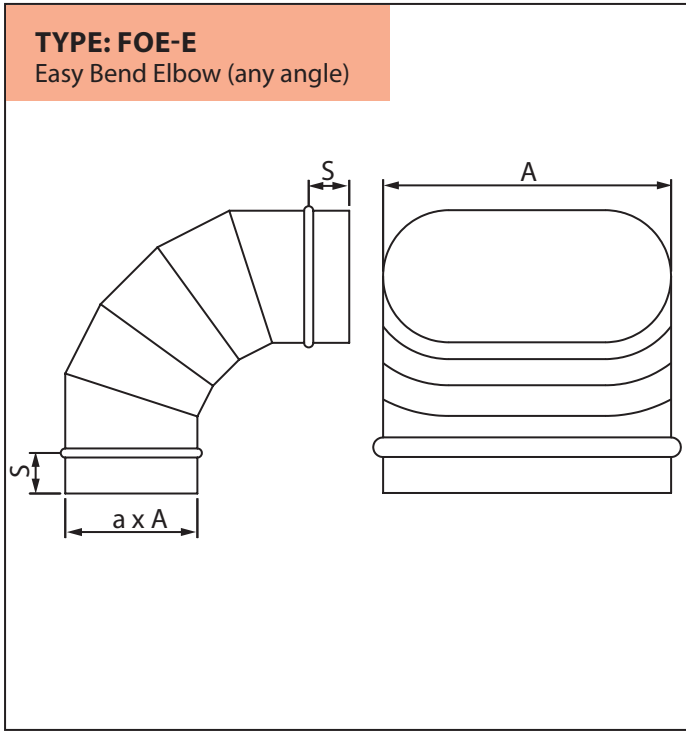
VANE CHART

For mitered elbows and tees use the following chart if vanes are required.

"A" Dimension	Number of VANES
3" – 9"	2
10" – 14"	3
15" – 19"	4
20" – 60"	5
Over 60"	12" spacing

– E.&O.E. – Subject to Change Without Notice – May Not Be Available At All Locations –

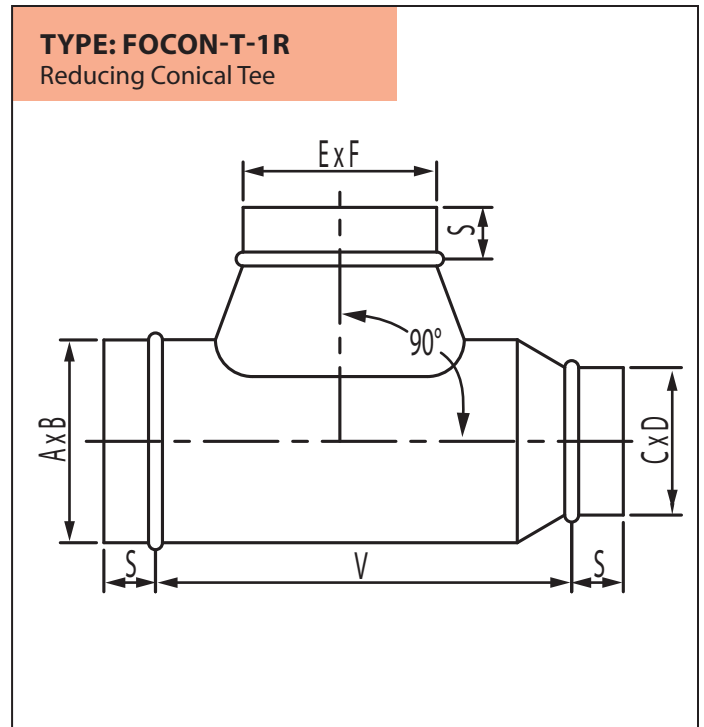
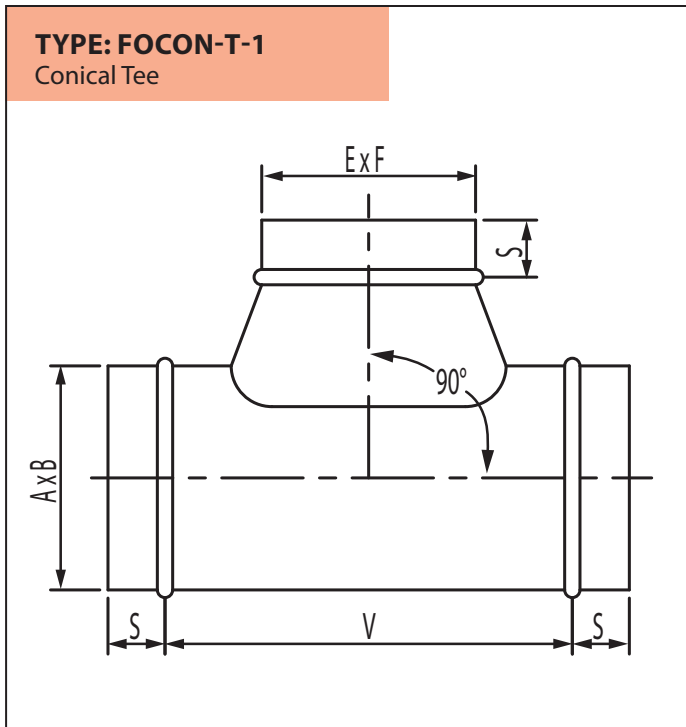
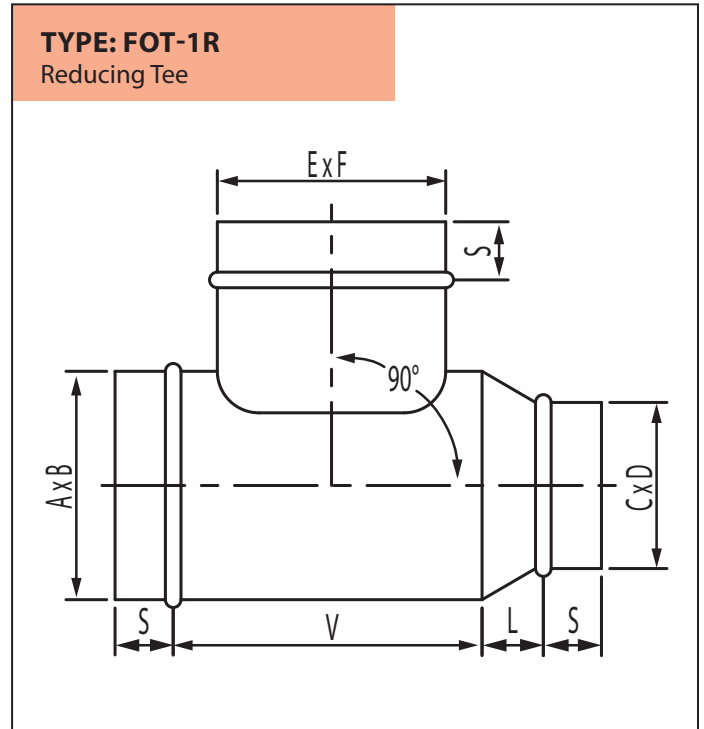
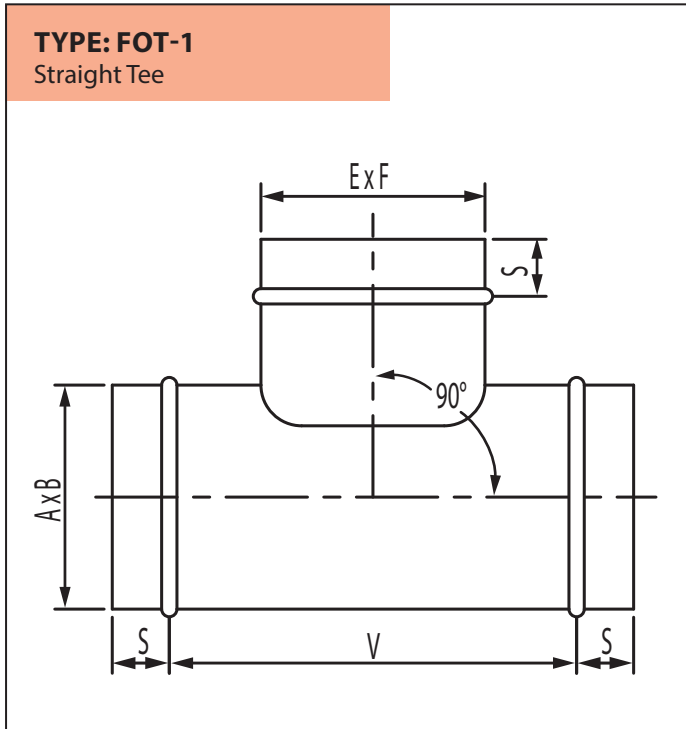
FLAT OVAL DUCT FITTINGS — ELBOWS



*The drawings shown are illustrative of the types of fittings manufactured. Please contact your local ECCO™ Representative for ordering.

– E.&O.E. – Subject to Change Without Notice – May Not Be Available At All Locations –

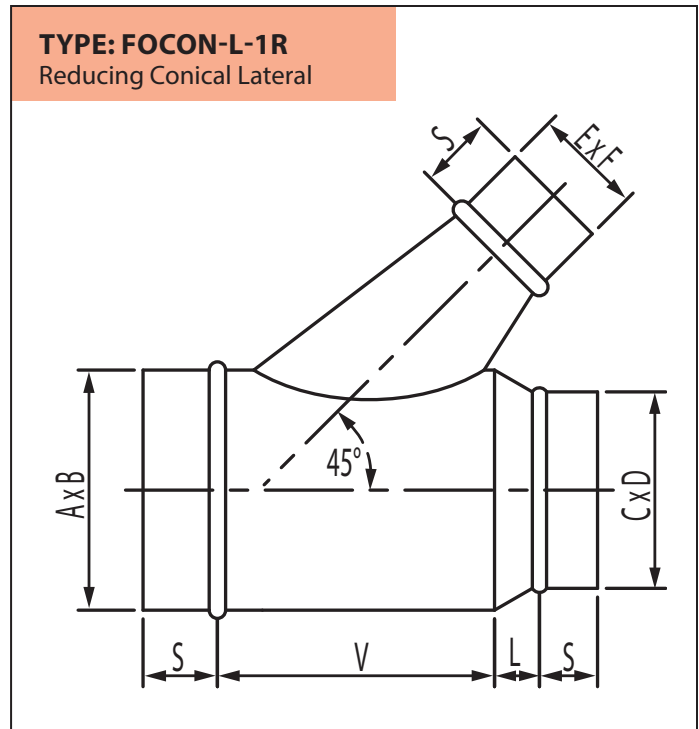
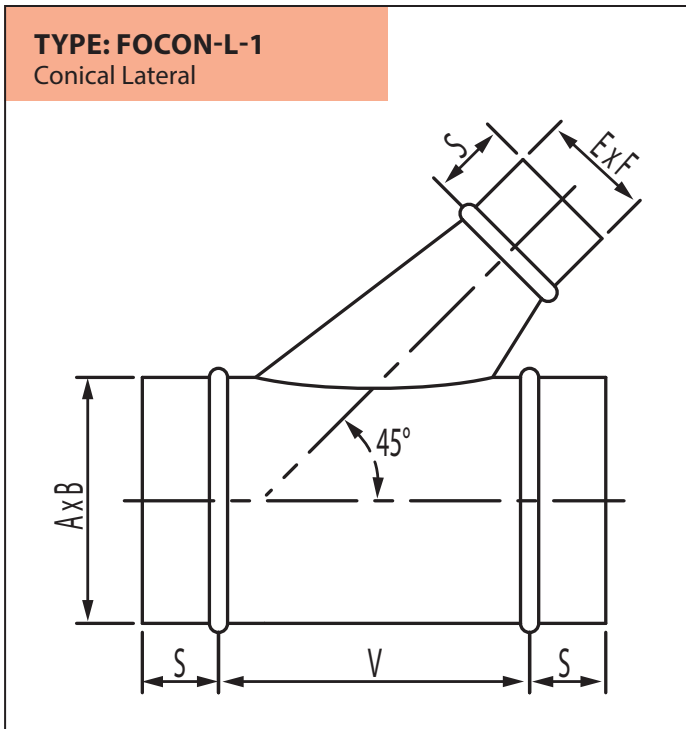
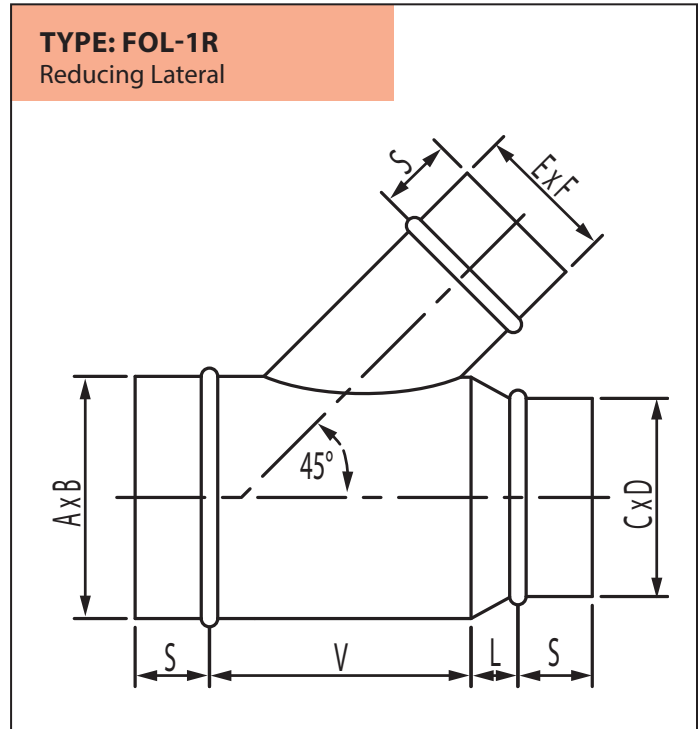
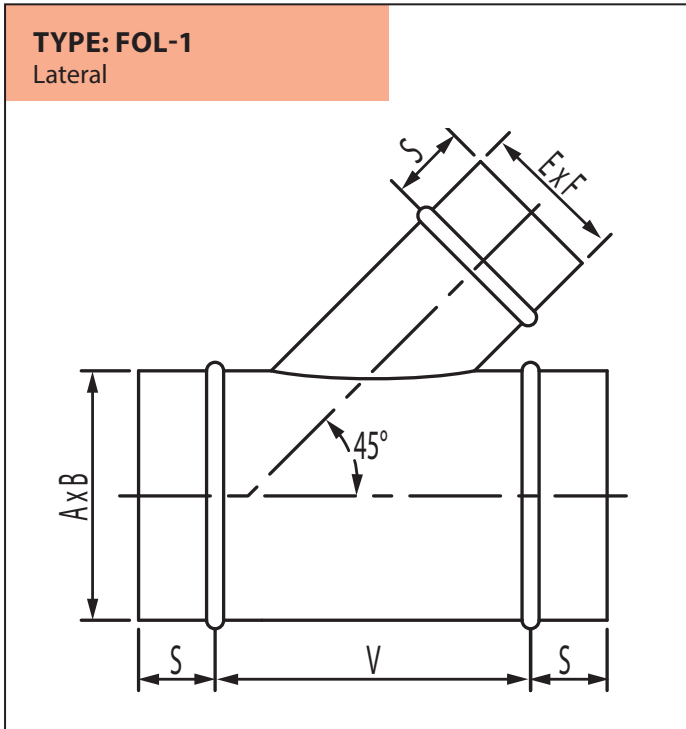
FLAT OVAL DUCT FITTINGS — TEES



*The drawings shown are illustrative of the types of fittings manufactured. Please contact your local ECCO™ Representative for ordering.

– E.&O.E. – Subject to Change Without Notice – May Not Be Available At All Locations –

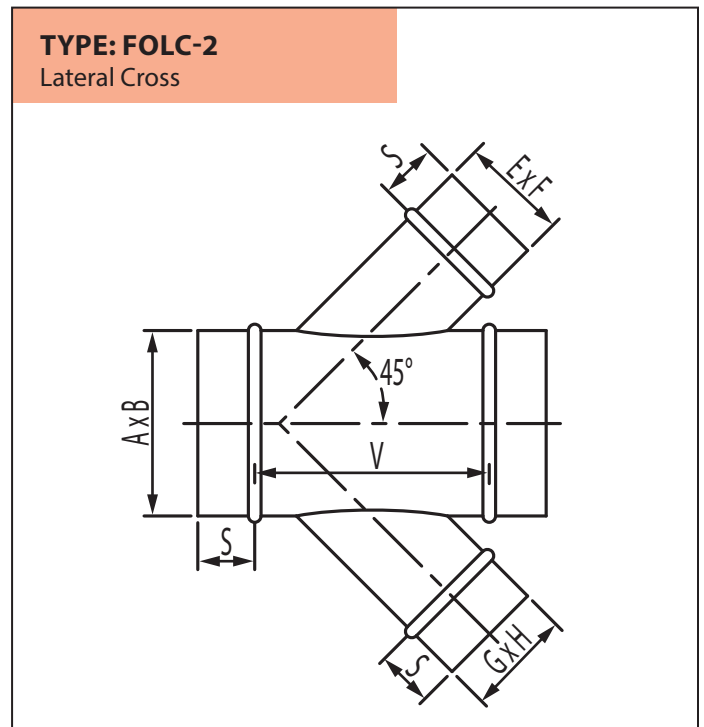
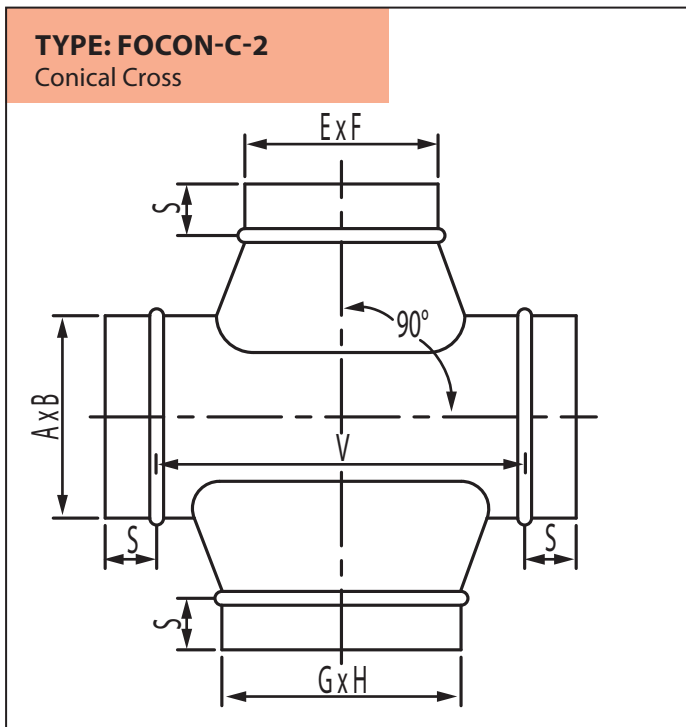
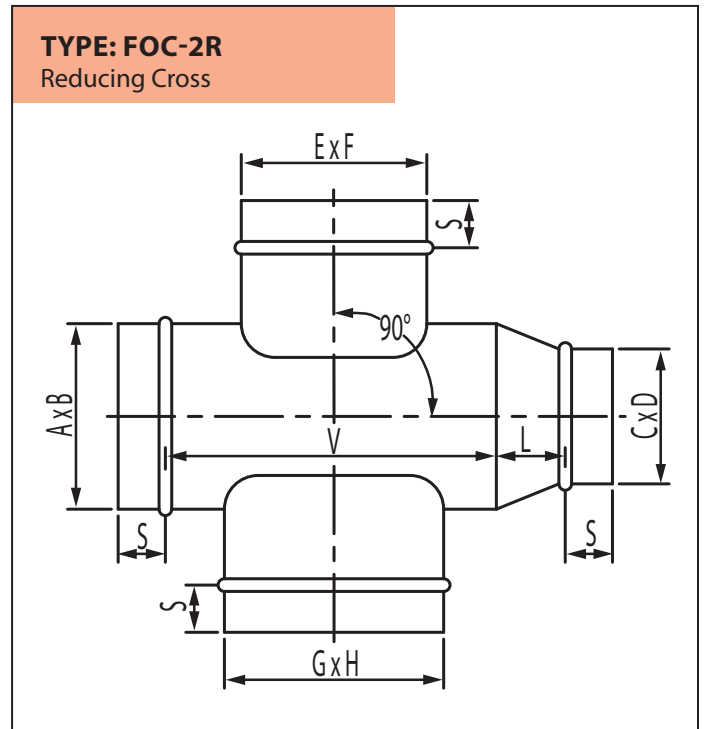
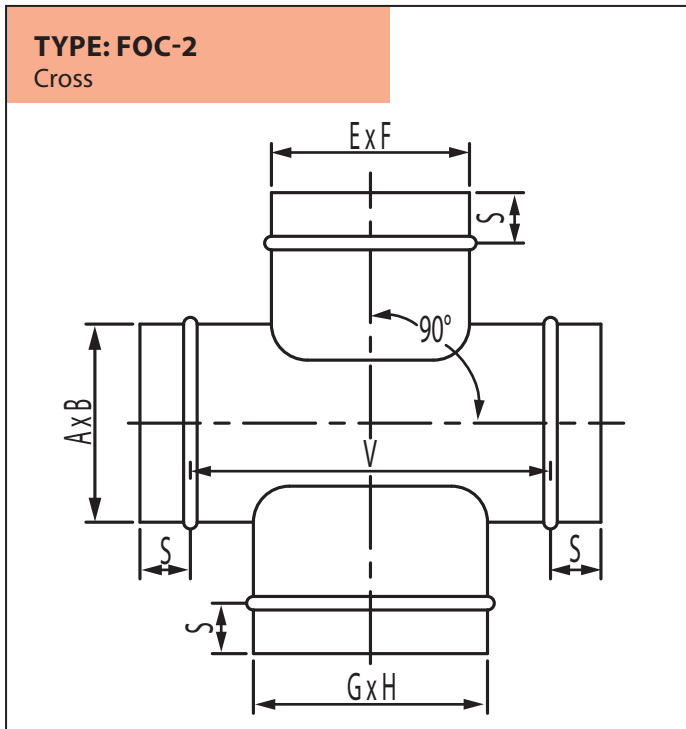
FLAT OVAL DUCT FITTINGS — LATERALS



*The drawings shown are illustrative of the types of fittings manufactured. Please contact your local ECCO™ Representative for ordering.

-E.&O.E. - Subject to Change Without Notice - May Not Be Available At All Locations -

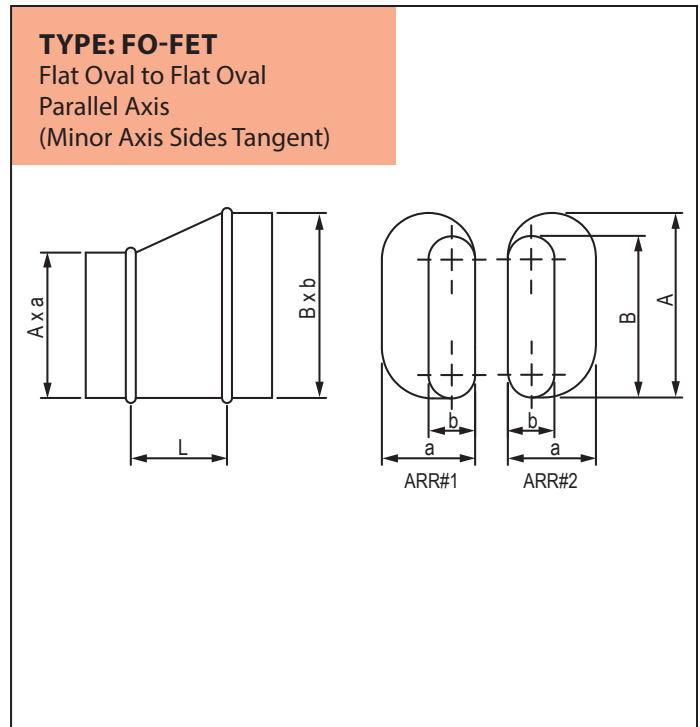
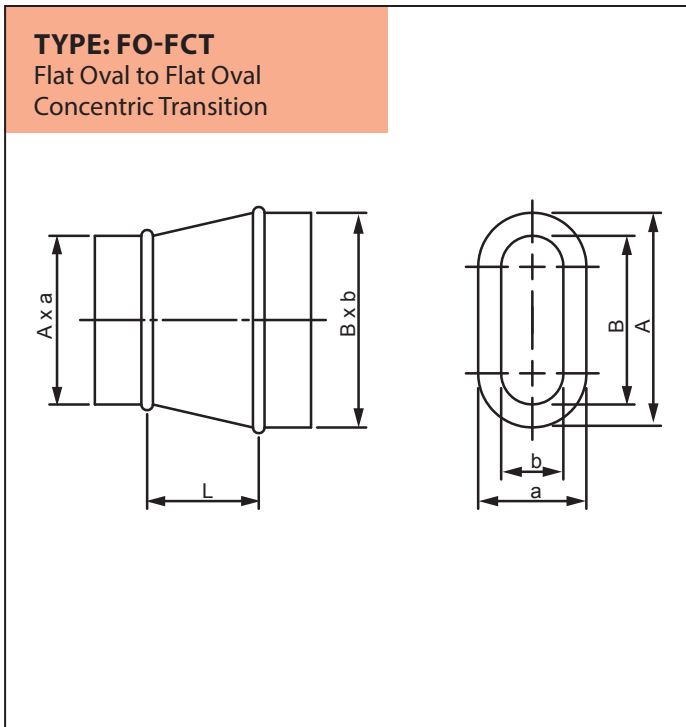
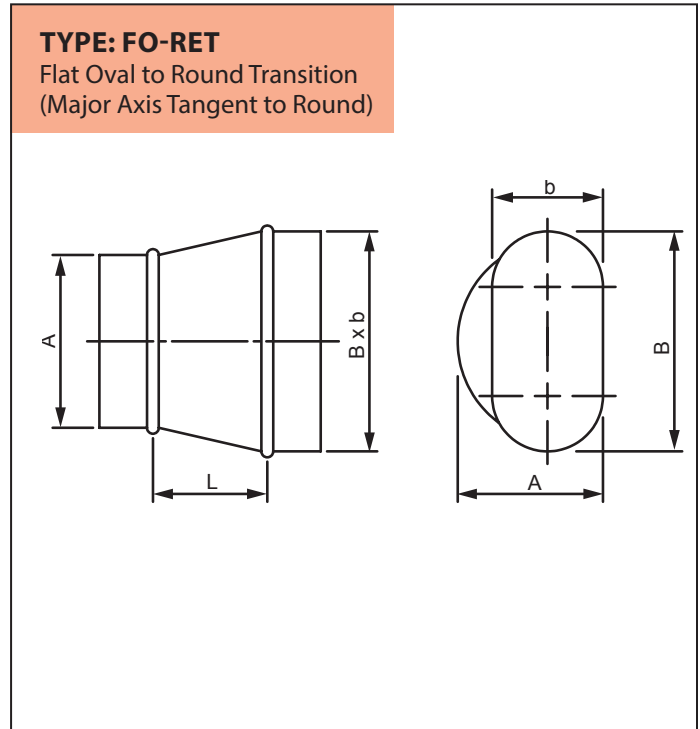
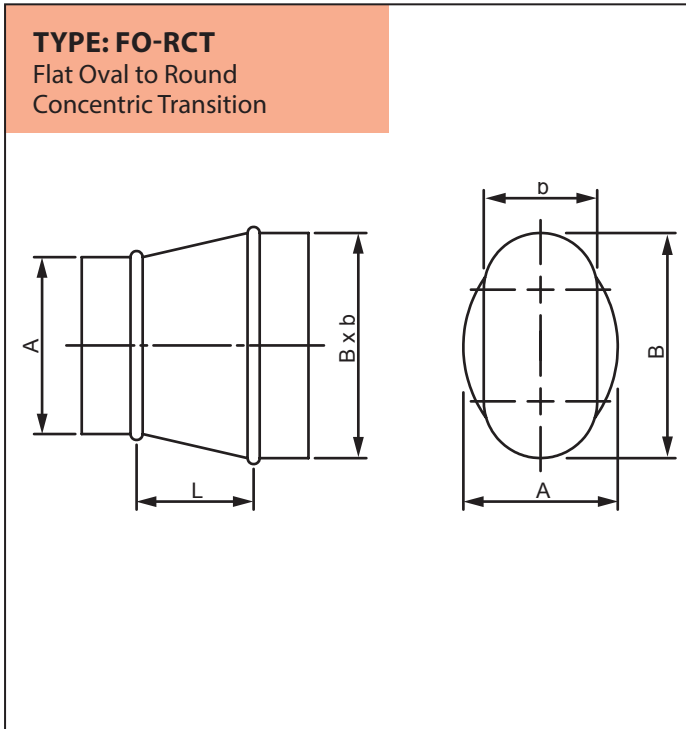
FLAT OVAL DUCT FITTINGS — CROSSES



*The drawings shown are illustrative of the types of fittings manufactured. Please contact your local ECCO™ Representative for ordering.

– E.&O.E. – Subject to Change Without Notice – May Not Be Available At All Locations –

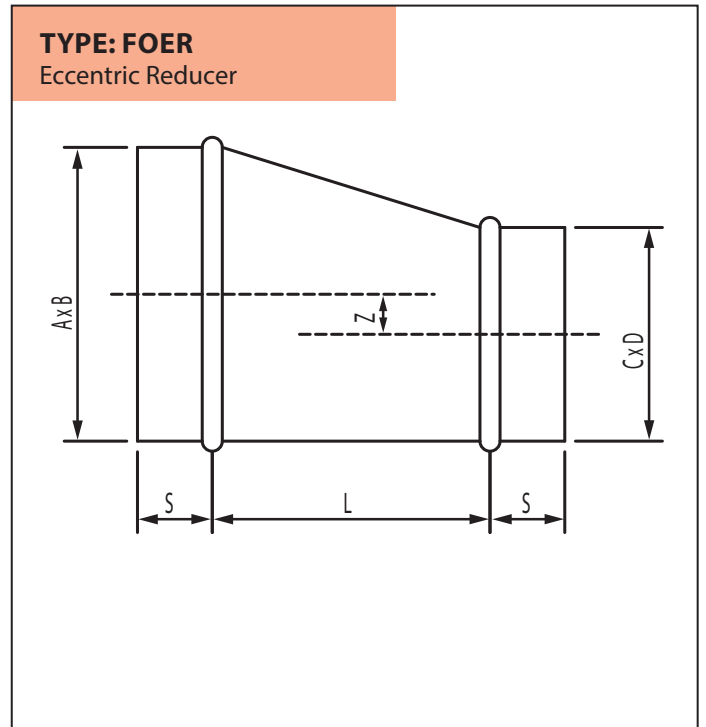
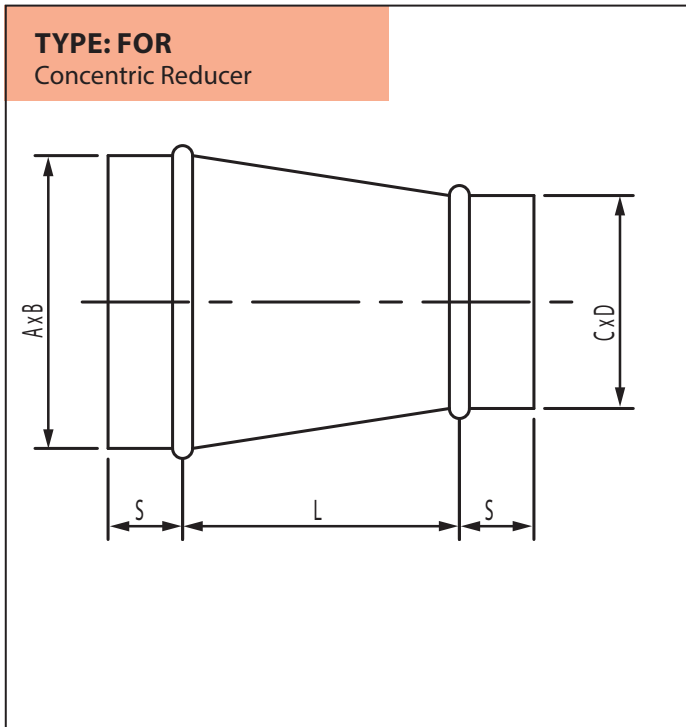
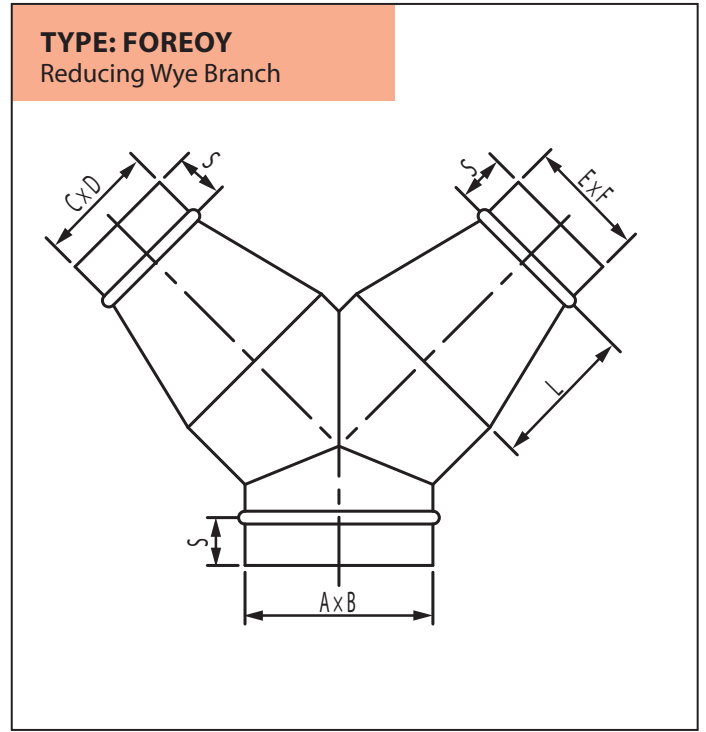
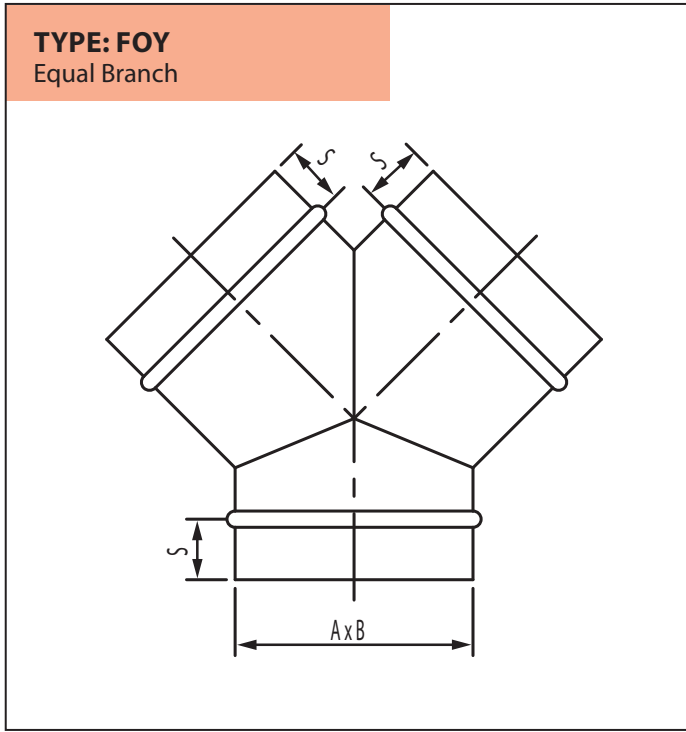
FLAT OVAL DUCT FITTINGS — TRANSITIONS



*The drawings shown are illustrative of the types of fittings manufactured. Please contact your local ECCO™ Representative for ordering.

– E.&O.E. – Subject to Change Without Notice – May Not Be Available At All Locations –

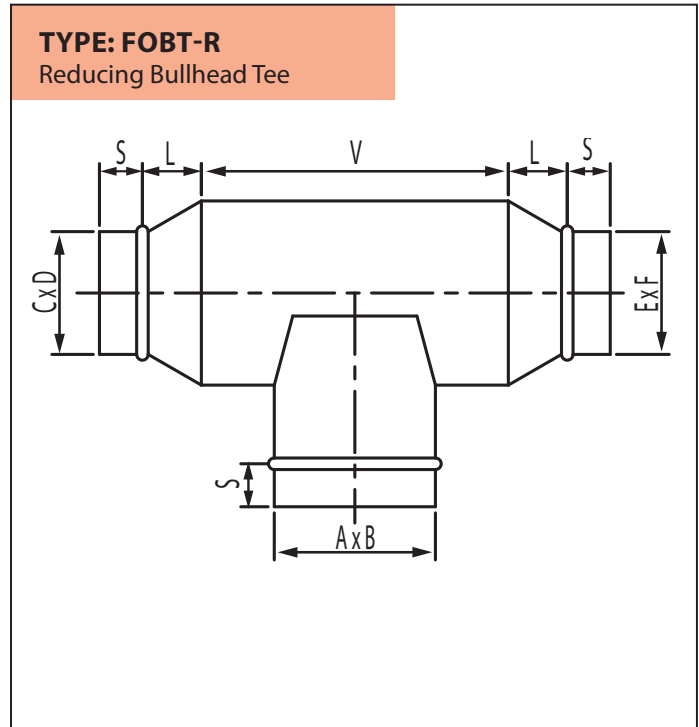
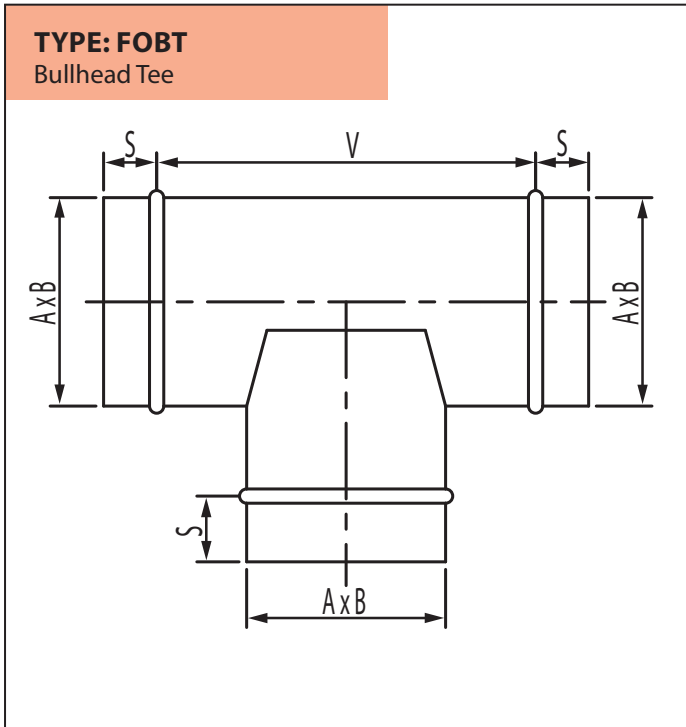
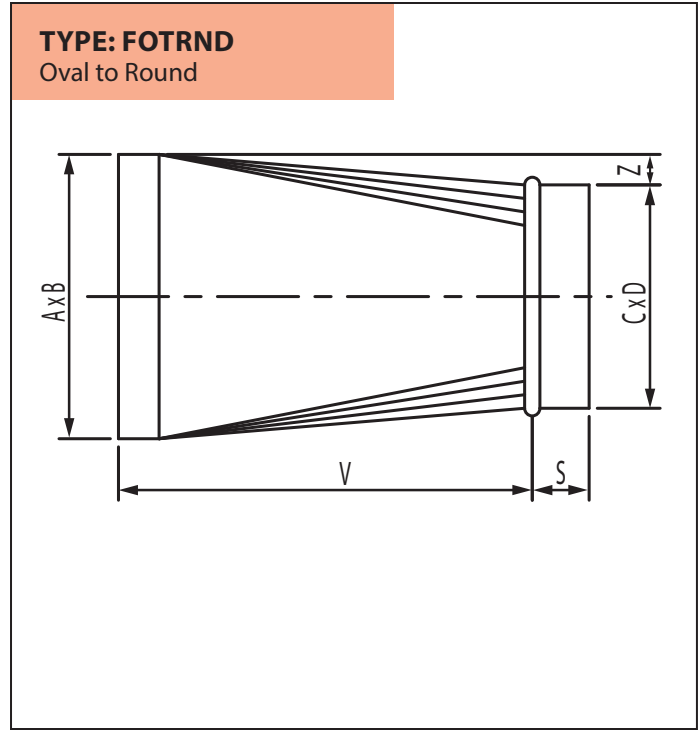
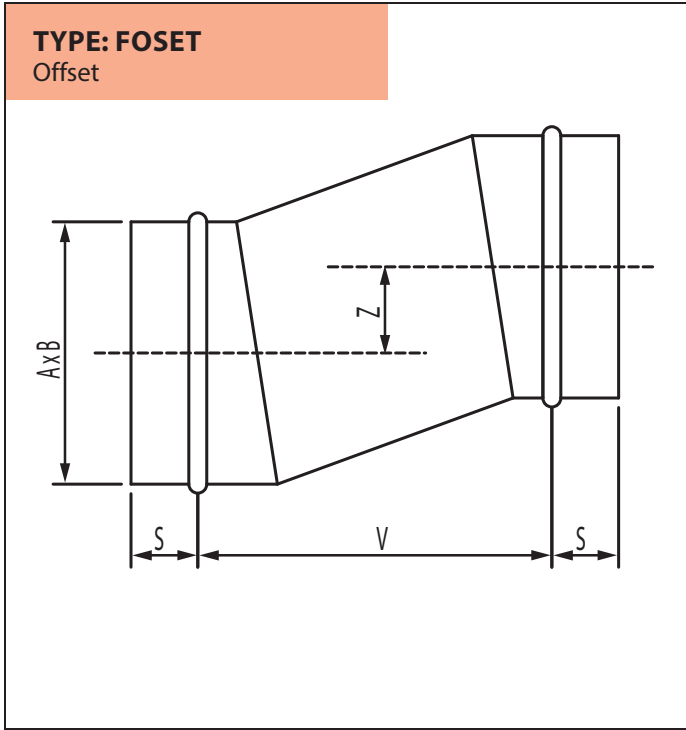
FLAT OVAL DUCT FITTINGS — ACCESSORIES (cont'd)



*The drawings shown are illustrative of the types of fittings manufactured. Please contact your local ECCO™ Representative for ordering.

– E.&O.E. – Subject to Change Without Notice – May Not Be Available At All Locations –

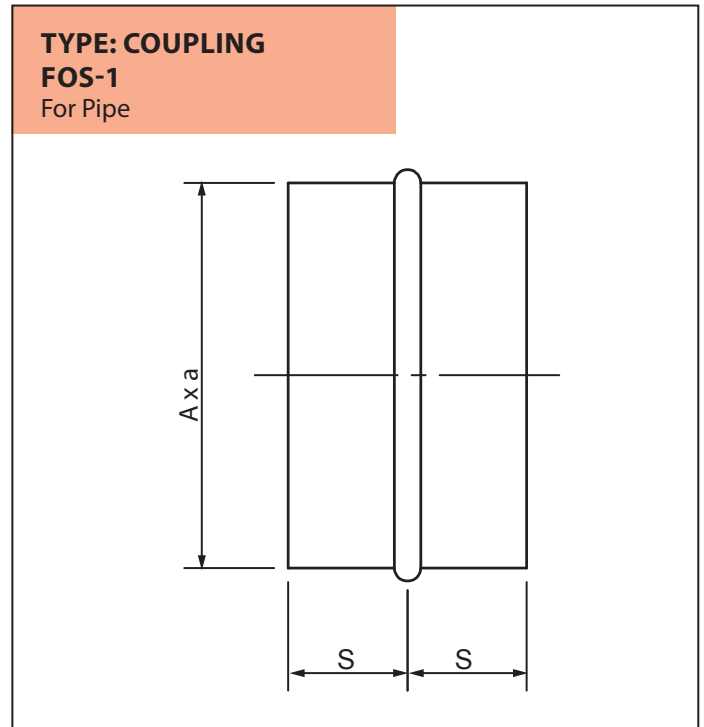
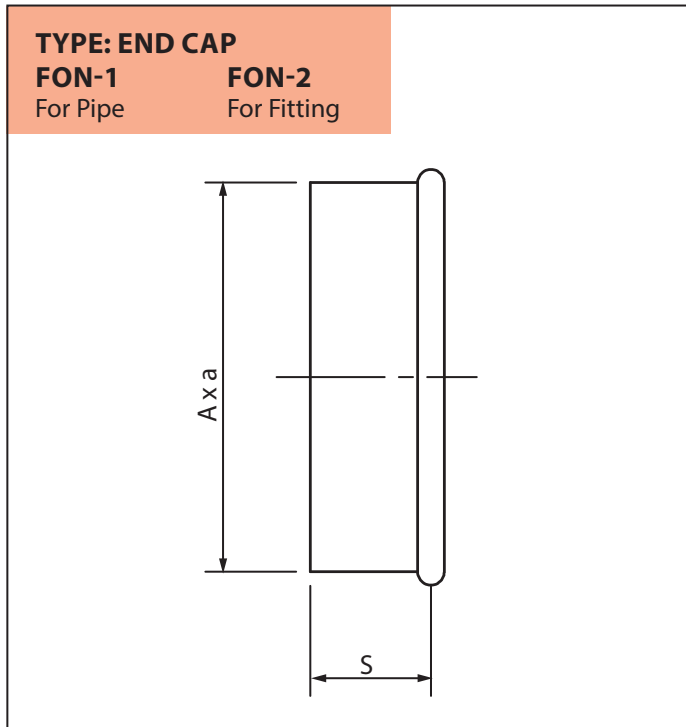
FLAT OVAL DUCT FITTINGS — ACCESSORIES (cont'd)



*The drawings shown are illustrative of the types of fittings manufactured. Please contact your local ECCO™ Representative for ordering.

– E.&O.E. – Subject to Change Without Notice – May Not Be Available At All Locations –

FLAT OVAL DUCT FITTINGS — ACCESSORIES (cont'd)



*The drawings shown are illustrative of the types of fittings manufactured. Please contact your local ECCO™ Representative for ordering.

– E.&O.E. – Subject to Change Without Notice – May Not Be Available At All Locations –



www.eccomfg.com

Langley Distribution

19860 Fraser Highway
Langley, British Columbia
Canada V3A 4C9

Phone: 604-530-4151
Toll Free: 1-877-955-4805
Fax: 604-533-9335

Calgary Distribution

21 – 11150 38th Street, S.E.
Calgary, Alberta
Canada T2C 2Z6

Phone: 403-720-0895
Toll Free: 1-877-955-4815
Fax: 403-720-0897

Kent Distribution

20001 87th Ave. S, Bldg E
Kent, Washington
USA 98031

Phone: 253-872-3721
Toll Free: 1-800-207-6859
Fax: 253-872-3724