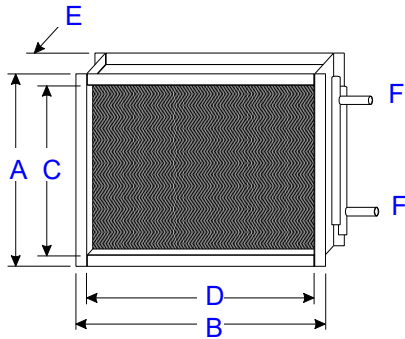


H2O Coil Custom Worksheet



Hot or Chilled Water, Steam, Condenser & DX CoilsBuilt to your specifications.
Don't lose out on jobs, big or small!
 1 or 2 week production cycles are available!
 Just fill out the worksheet below and fax it to [516 599-2000](tel:5165992000).
 Or Email to: engineering@dvachvac.com

DUCT COIL PERFORMANCE DATA

Item	QTY	ROWS	BTU's	CFM	GPM	EWT	EAT
1							
2							
3							

DUCT COIL DIMENSIONAL DATA

Item	A	B	C	D	E	F
1						
2						
3						

NOTES

<u>Customer Name</u>	<u>Job Name</u>	<u>Tel. #</u>	<u>Fax #</u>	<u>Contact</u>