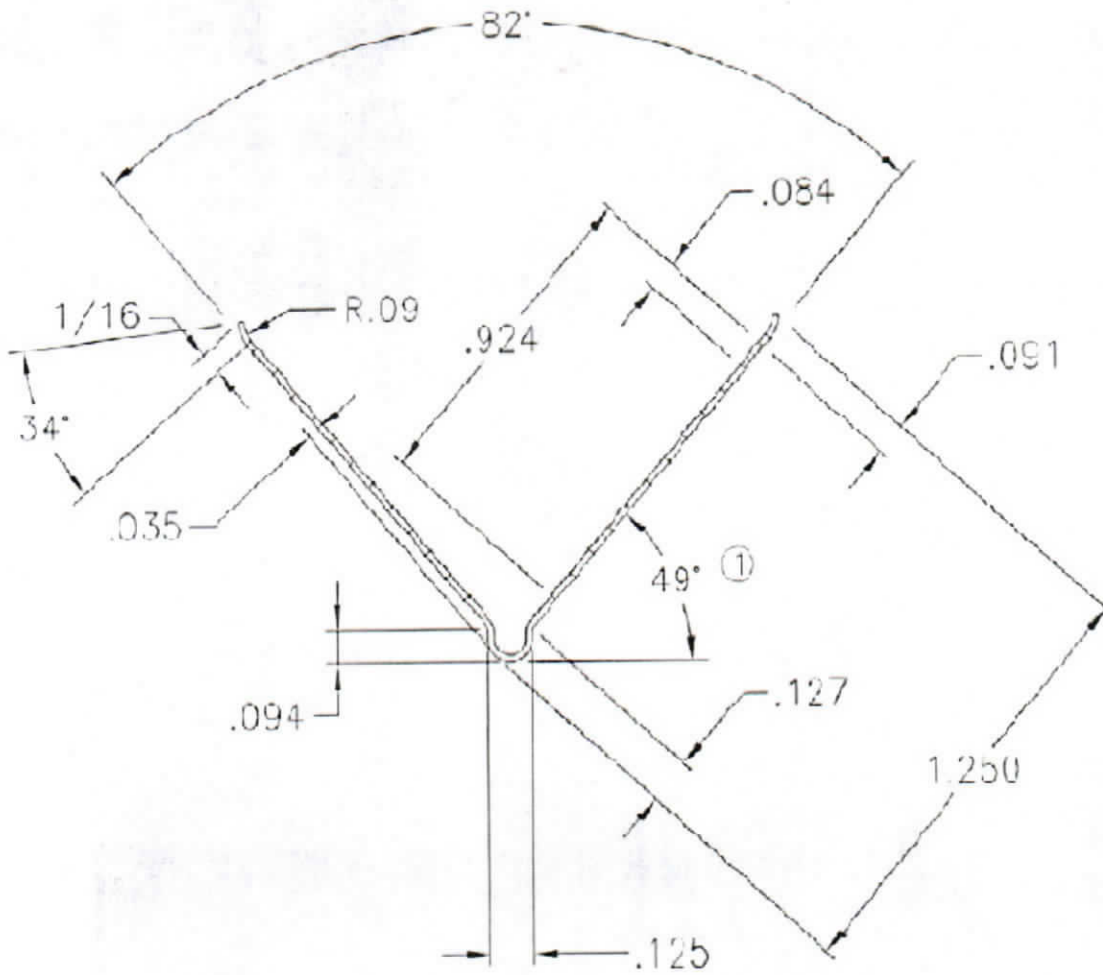


RESCUE



METAL FRAMING

KNURL PATTERN
 .021 SQ. KNURL
 12 ROWS @ .084 PITCH



Material specifications:	
Material thickness:	.0125
Leg height	1 1/4" x 1 1/4"
Bead height	.030 min .035max
Length:	- .1875 to + 0
Angle :	79 degree min to 82 degree max
Knurling	.028

Lengths	Pieces	L.F.
6'8"	75	499.9
6'9"	74	499.5
7'	72	504
8'	63	504
9'	56	504
10'	50	500
12'	42	504