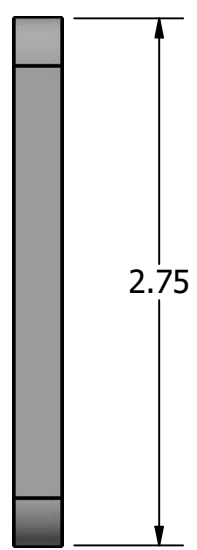
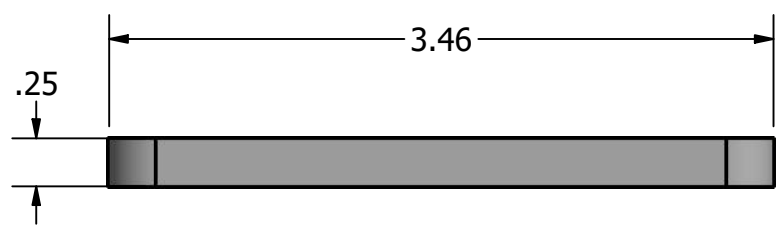
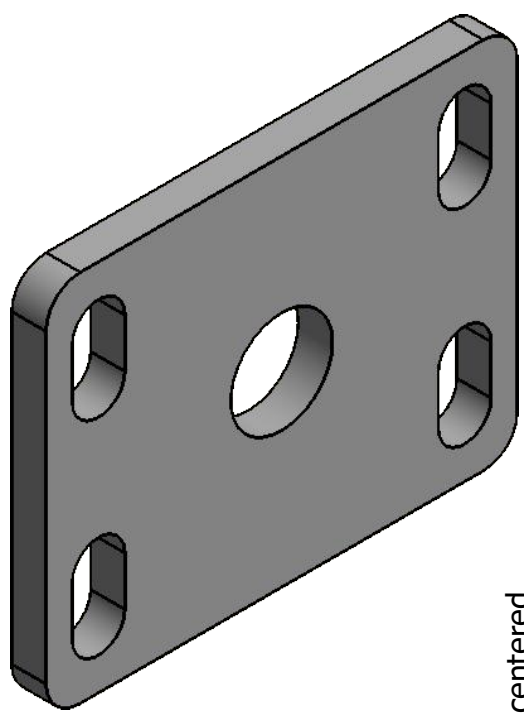
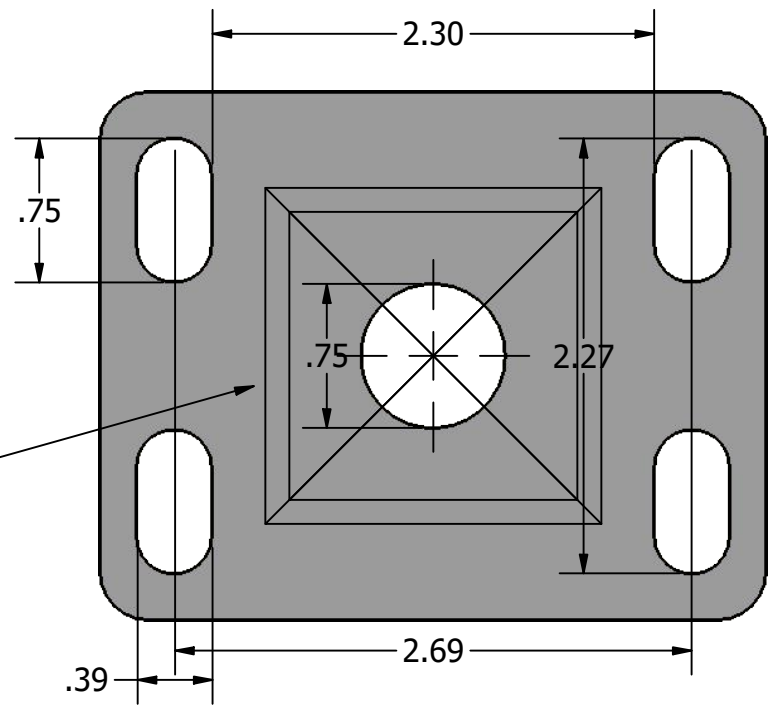


2

1



Etched Line 1.5 and 1.75 centered



B

B

A

A

A

A

DRAWN	mrbla	1/15/2020
CHECKED		
QA		
MFG		
APPROVED		

TITLE			
SIZE	A	DWG NO	Standard Plate 2020
SCALE	1 : 1	SHEET 1 OF 1	REV

2

1

A