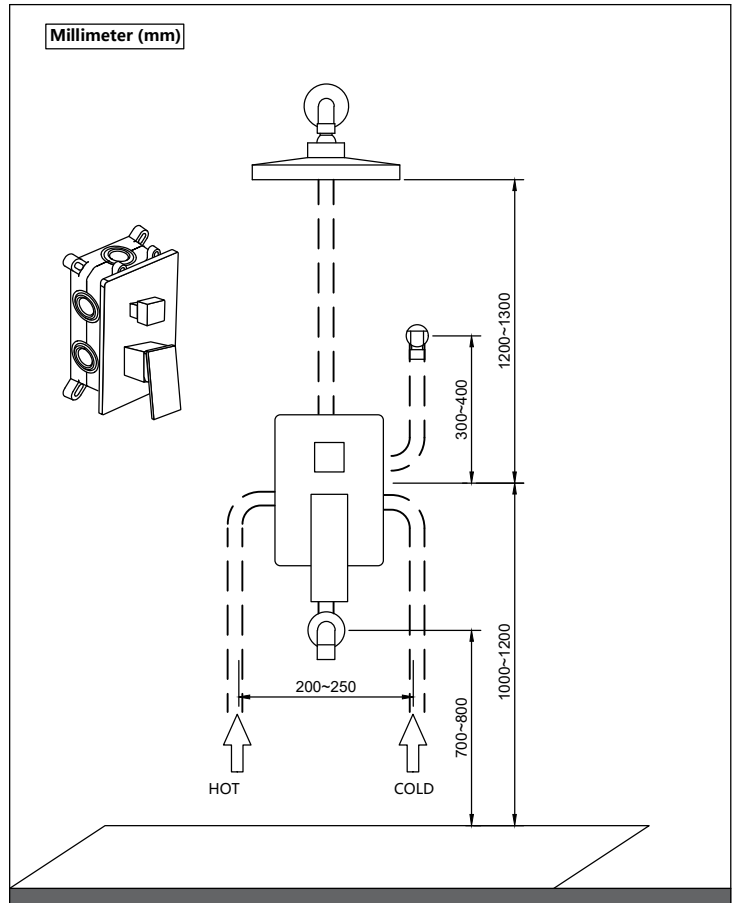
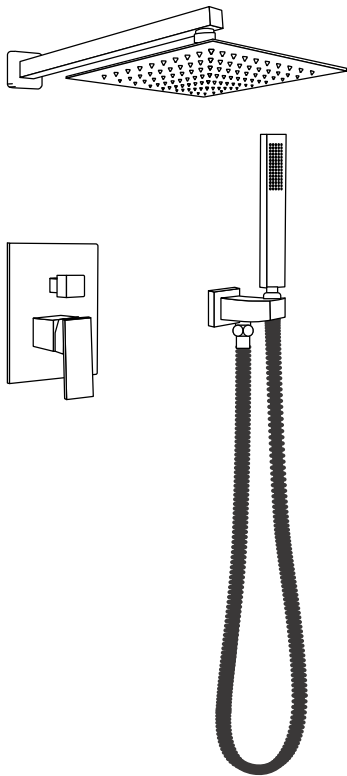
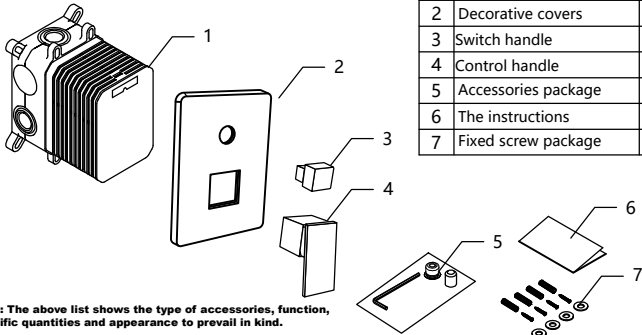


In Wall Shower Set Installation Guide



Check whether the parts is complete

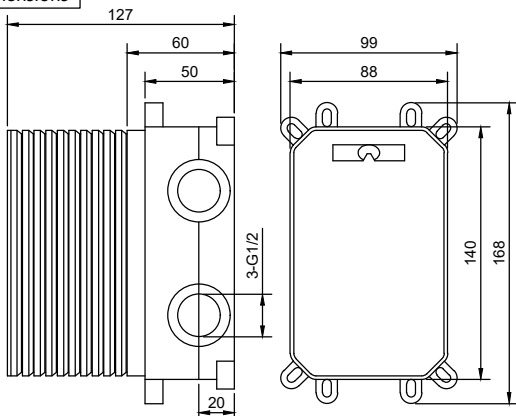
Accessories list



NO	Name	QTY
1	The body	1
2	Decorative covers	1
3	Switch handle	1
4	Control handle	1
5	Accessories package	1
6	The instructions	1
7	Fixed screw package	1

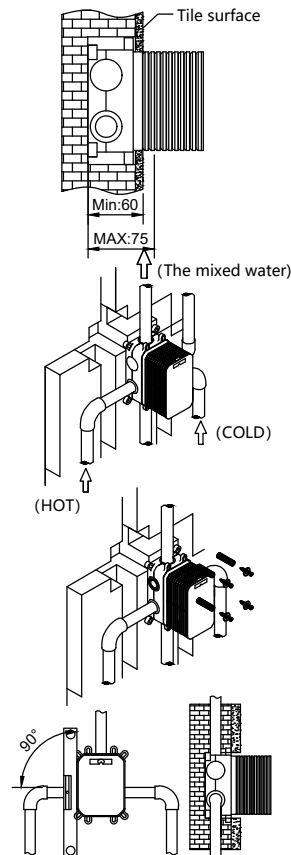
Note: The above list shows the type of accessories, function, specific quantities and appearance to prevail in kind.

Basic dimensions



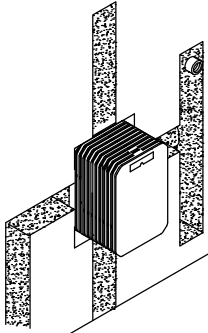
Note: this manual unit is "mm"

Solid wall installation



1. According to the basic size of the pre-embedded box with a special tool to dig the main hole in the solid wall, the depth of the hole, as shown in the figure, should be considered between 60-75 hole spacing, for example, rough wall in the tiled surface after the thickness of the increase of 20 or so, then the depth of the rough wall in the hole should be selected between 40-55;
2. The size of the hole with the pre-embedded box for easy installation as a principle;
3. The bottom surface of the hole should be kept flat in order to subsequently adjust the buried box vertical and horizontal;
4. Pay attention to the pre-embedded box directions, the left side to connect the hot water piping, the right side to connect the cold water piping, up to the mixed water outlet pipe;
5. After the pipes are connected, the corresponding pipe slots are dig the rough wall according to the pipe arrangement;
6. Pre-embedded box fixed before the need for pre-embedded boxes and connecting the pipeline water test and pipeline cleaning, before the test on the mixing of the water channel should be in an open state;
7. Before the test, open the switch spool, open the water to test the left and right water inlet pipe is connected tightly without leakage, water inlet pipe test closed after adjusting the flow switch in the open state, in order to test the upper mix of water outlet pipe is connected tightly without leakage; at the same time, keep for a period of time in order to clean the pipe in order to prevent the impact of the control valve out of the function of the foreign body;
8. Use self-tapping screws to fix the pre-embedded box on the wall;
9. Use a parallel ruler to correct the horizontal and vertical direction of the pre-embedded box, so that the pre-embedded box as far as possible with the ground into the horizontal, and 90° with the wall; if not corrected will affect the installation of the control valve panel;

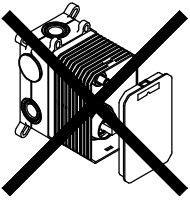
Solid wall installation



1、 Once again confirm the pipe connection is correct, try no leakage, water shower other embedded component installation, the embedded with the packing box and pipe joint is fixed;

2、 Solid wall embedded box installed, laid out behind the wall can be follow-up control valve installation.

⚠ Note: no leakage after sealing wall for pipe connection correct.



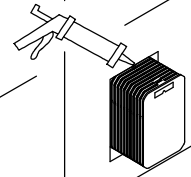
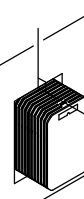
⚠ Note:

1, the laying of the wall not to embed box is open, lest the box into the packing after solidification effect of control valve installation;

2, control valve set surface for plating and smooth surface, should be kept inside the original packaging before installation to prevent scratches, corrosion, and lost.

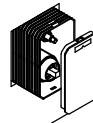
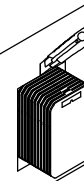
4

Hollow wall installation



1、 Laid metope ceramic tile or other adornment metope, keep the metope smooth, with embedded box into 90 ° vertically;

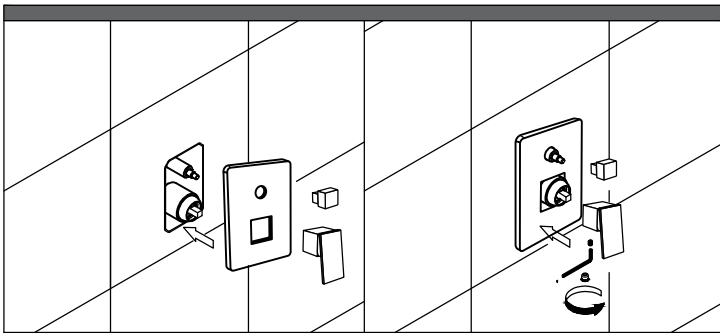
2、 Along the embedded highlights the glass on the edge glue, embed box to improve waterproof performance, prolong service life.



3、 Cut off using a cutting tool embedded box of highlights, keep away from the wall 2-4 mm highly advisable;

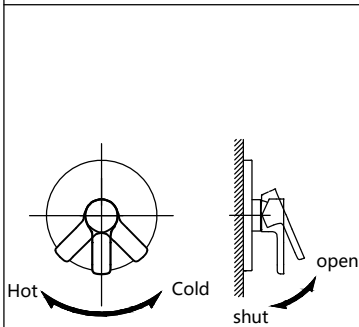
4、 Try to remove embedded lifted the lid plate and water components (pictured);

5



5、 Installed, control panel, check on panel hole protecting glue before set out, such as unprotected glue set directly into the panel is easy to scratch panel;

6、 Install the switch handle, with packing with small hexagonal wrench clockwise to switch handle is fixed on a main valve spool control valve in, install decorative rubber plug;



1、 Handle up open as the main switch, opening Angle that the flow;
2、 handle swinging to adjust water temperature of mixing, swing to the left, hot water flow rate increases, the cold water inlet flow rate is reduced, the water temperature increases; On the other hand, to the right place, hot water reduce water flow and cold water inlet flow rate increases, the water temperature decrease;

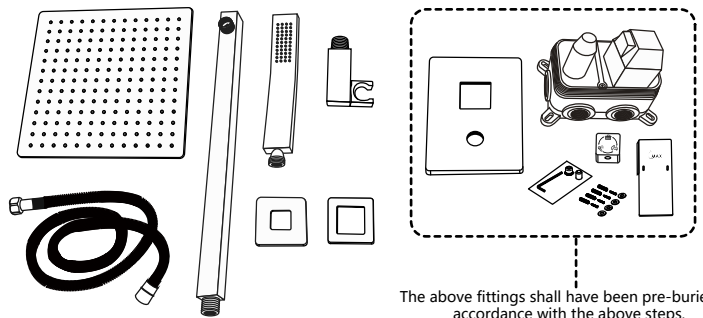
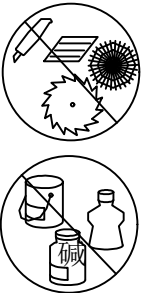
3 switch control, water mixed water direction, switch indication up showed that the mixed water when the water pipe out from the above that when water switch 90 degrees counterclockwise refers to the left, show that the mixed water out of the pipe below (single function control valve without this feature).

6

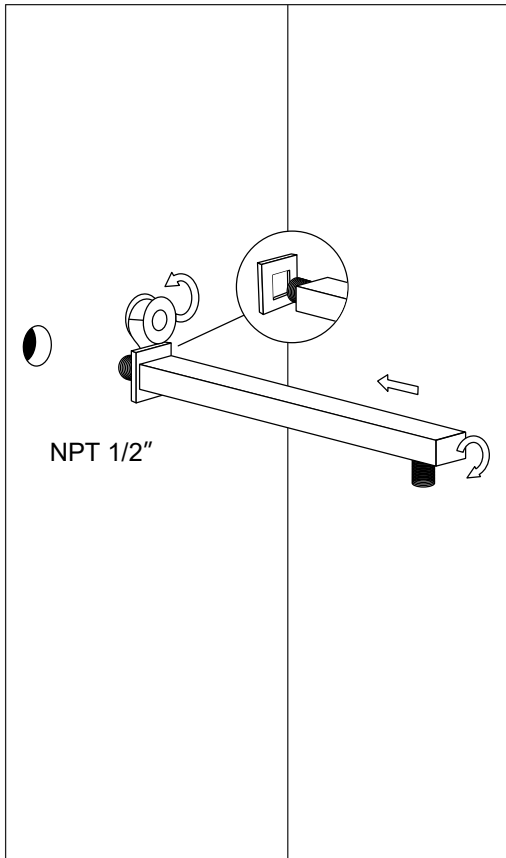
Maintenance instructions

To keep leading the surface bright and lively and good use performance, please click the following method nursing leader:

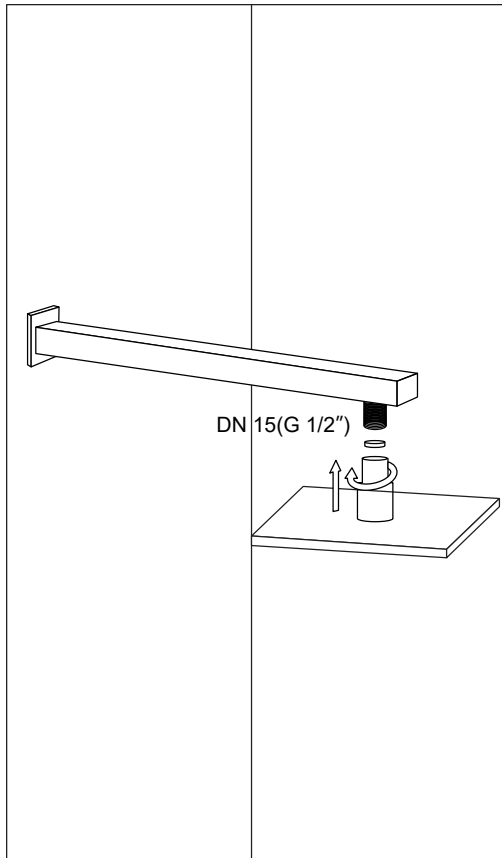
- 1, rinse it with a soft cotton cloth to wipe dry only;
- 2, can use mild liquid and colorless glass cleaner to remove surface dirt and scale membrane, not gear grinding effect of polishing agent;
- 3, do not use abrasive cleansers, polish, emery cloth, paper towels or scraper, etc.;
- 4, do not use acidic detergents, insoluble granular detergent, soap, etc.;
- 5, in use process, bubbler may accumulate dirt, make water decreases slowly, can open my bubble, rinse after bubbler, install back in place again can.



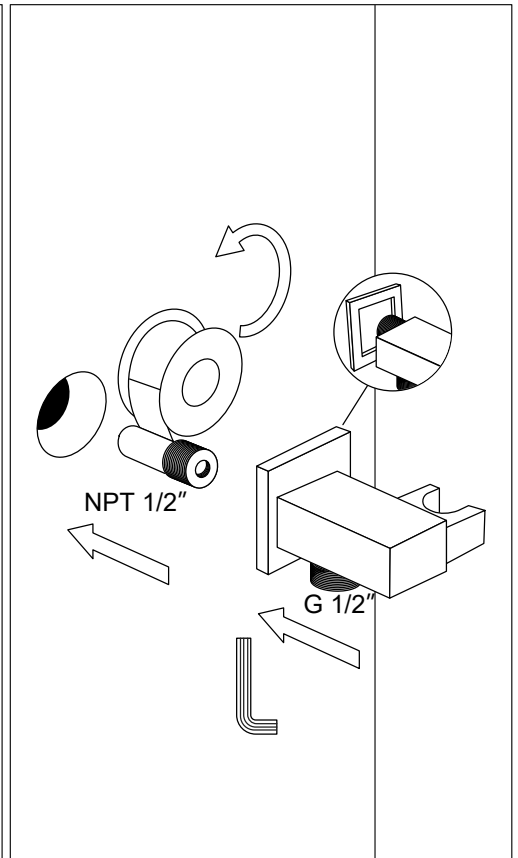
The above fittings shall have been pre-buried in accordance with the above steps.



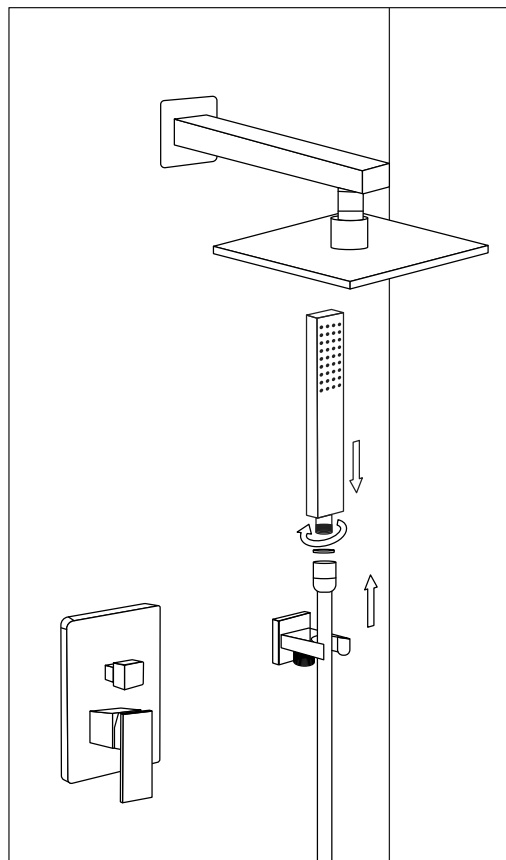
7



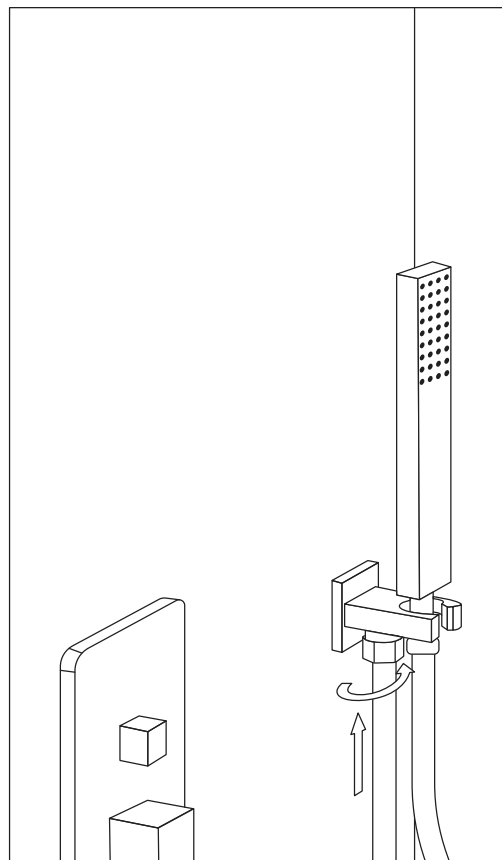
8



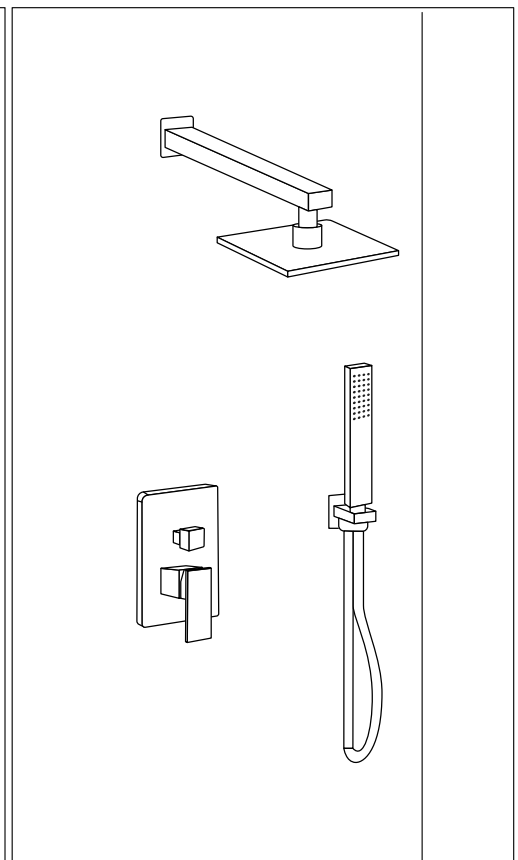
9



10



11



12