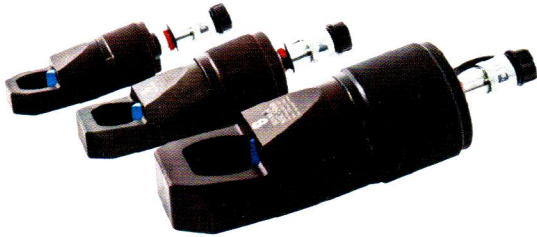
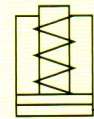


NSC Hydraulic Nut Splitter

- Specially designed "tool steel" cutter blade penetrates the nut to the precise point where it cracks, stopping short of the bolt threads.
- Applications include servicing trucks, piping industry, tank cleaning, petrochemical, steel construction and mining.
- Heavy-duty chisels can be reground.
- Sing-acting, spring return cylinder.
- Unique angled head allows flush access.
- Compact and ergonomic design, easy to use.



NSC Series



Capacity:

5-90 ton

Bolt Range:

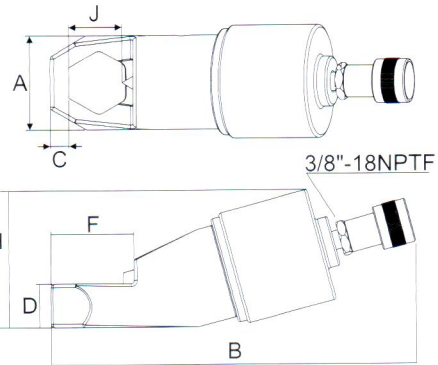
M6-M48

Hex. Nut Range:

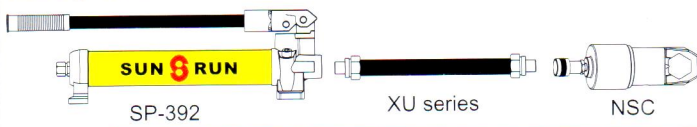
10-75 mm

Maximum Operating Pressure:

700 bar



Nut Splitters Sets-Opt



Model No.	Hex. Nut Range		Bolt Range		Capacity (ton)	Oil Capacity (cm ³)	Dimensions(mm)							Weight (kg)
	(in)	(mm)	(in)	(mm)			A	B	C	D	F	H	J	
NSC-1319	0.50-0.75	10-19	0.31-0.50	M6-M12	5	15	40	200	6	19	28	48	21	0.8
NSC-1924	0.75-0.94	19-24	0.50-0.63	M12-M16	10	20	55	227	8	25	38	71	25	2.0
NSC-2432	0.94-1.13	24-32	0.63-0.88	M16-M22	15	60	66	260	10	31	49	76	33	3.0
NSC-3241	1.13-1.56	32-41	0.88-1.13	M22-M27	20	80	75	286	15	35	56	89	43	6.3
NSC-4150	1.56-2.00	41-50	1.13-1.38	M27-M33	35	155	96	325	21	45	73	109	54	8.6
NSC-5060	2.00-2.25	50-60	1.38-1.50	M33-M39	50	240	106	366	27	54	92	126	60	11.8
NSC-6075	2.38-2.88	60-75	1.50-1.88	M39-M48	90	492	156	366	27	75	110	180	78	34.1

WSR Hydraulic Wedgie and Spread Cylinder

- Single-acting, spring return.
- For use in very confined work areas.



WSR-1 Series

Capacity:

1ton

Tip Clearance:

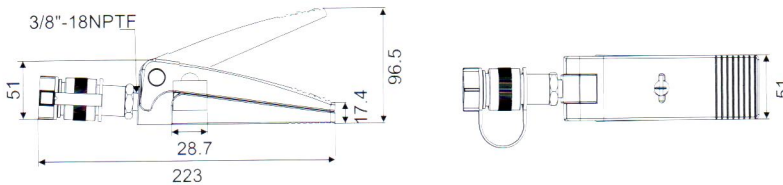
17.4mm

Maximum Spread:

96.5mm

Maximum Operating Pressure:

700 bar



Cylinder Capacity (ton)kN	Model Number	Tip clearance (mm)	Maximum Spread (mm)	Cylinder Eff. Area (cm ²)	Oil Capacity (cm ³)	Weight (kg)
1(8.9)	WSR-1	17.4	96.5	6.5	10	2.3