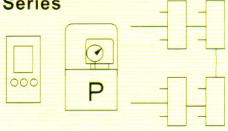


PSC Series



Capacity per Lifting point:
10-1000 ton

Max. Stroke:
5000 mm

Maximum Operating Pressure:
700 bar

PSC Synchronous Lift System

- 4 to 64 points, load and stroke monitored and controlled.
- Capacities from 10 up to 1000 ton per lifting point.
- Up to 1mm accuracy over full plunger stroke.
- PLC-control unit with user-friendly touch screen.
- Automatic data storage.
- System secured with warning and stop features to achieve optimal safety.

System Options:

Load and force measurement.

Load cell for precise force measurement up to 0.1% of full scale.

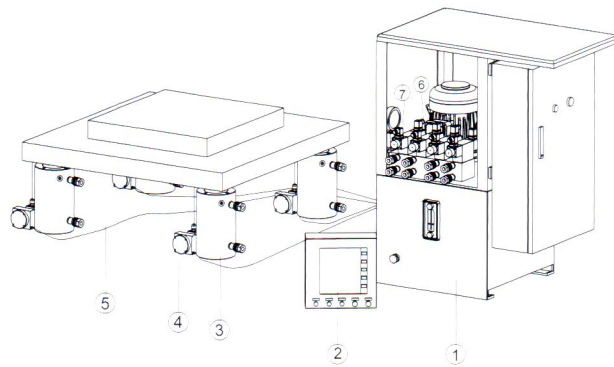
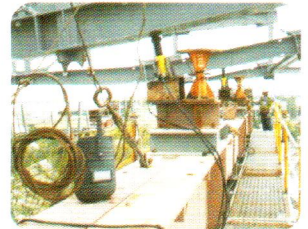
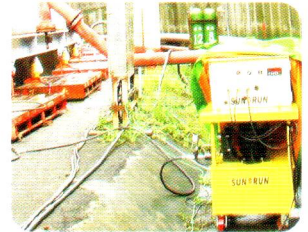
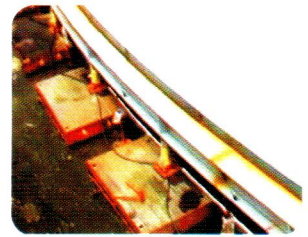
Digital stroke sensors for:

up to 0.1mm accuracy over full stroke.

up to max. 1km distance between control unit and lifting points.

Two-axis tilting control to level structures.

Oil heater or heat exchange for extreme conditions.



- Hydraulic Pump
- PLC-control screen
- Hydraulic Cylinder
- Stroke sensors
- Sensor cables
- Solenoid control valves
- Pressure transducer

Features	Basic	Premium
Analog stroke sensors	×	×
Digital stroke sensors	–	○
Stroke controlled movement	×	×
Load controlled movement	–	×
Max. Accuracy (depends on components)	± 1.0mm	± 0.1mm
Recording capabilities	–	×
Graphical representation	–	○
Intercommunication capabilities	–	○
Sensor cables	×	×

Basic & Premium System Management & Control Features
X=Standard, O=Optional

Alarms	Basic	Premium
Stroke limitation	×	×
Load limitation	–	×
Low oil level	–	×
Oil filter warning	–	×
Oil temperature warning	–	×