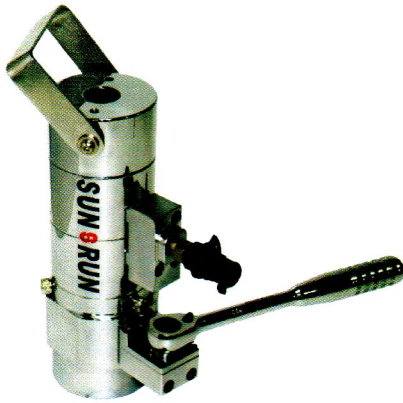


## SMSK 雙層式彈簧回縮螺栓拉伸器



- 此類型螺栓拉伸器適用於10.9等級的螺栓。
  - 主軸會其自動的回縮。
  - 安全斷裂裝置。
  - 鍍鎳表面塗層，延長使用壽命。
  - 不佔使用空間，容易攜帶操作。
  - 快速裝卸螺帽。
- ★ 亦可依客戶訂製

### SMSK Series

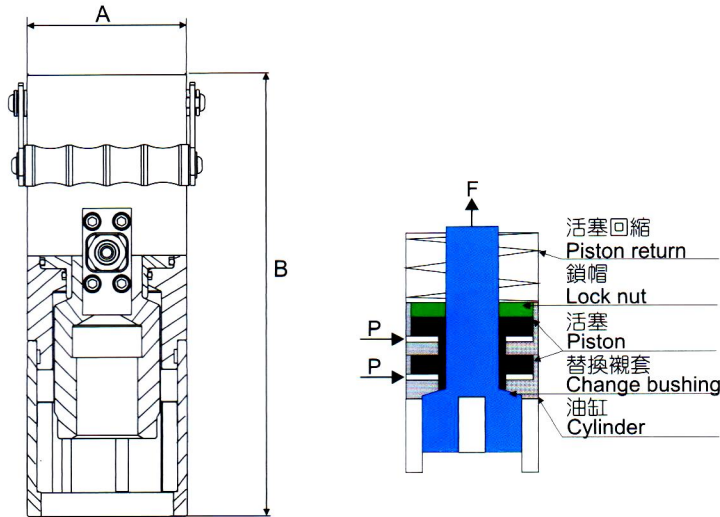
**Capacity:**  
200-2880 kN

**Bolt Range:**  
M20-M72  
3/4"-3"

**Maximum Operating Pressure:**  
1500 bar

### Multi-stage, Spring return, Hydraulic Bolt Tensioner

- ※SMSK-series single stage for 10.9
  - ※Automatic piston return : return of the piston into end position after pre-tensioning.
  - ※Safety fracture device : In case of wrong use or failure the safety fracture device keeps uncontrolled energy inside the tool - the safety for the staff increases significantly..
  - ※Nickel coating which prevents a corrosion of the components.
  - ※Design for using not occupy space and easily handle design.
  - ※Quick-Release the stud's nut is wound down against the joint face.
- ★User can order suitable reservoir.



| 型號<br>Model | 荷重<br>Pre-load force |        | 螺紋<br>Thread |       | 六角對邊<br>A/F -width |         | A    |      | 本身高<br>Height<br>B |      |
|-------------|----------------------|--------|--------------|-------|--------------------|---------|------|------|--------------------|------|
|             | (kN)                 | (lbs)  | (mm)         | (in)  | (mm)               | (in)    | (mm) | (in) | (mm)               | (In) |
| SMSK-M20    | 200                  | 44962  | M20          | 3/4   | 30                 | 1 1/4   | 47   | 1.9  | 169                | 6.7  |
| SMSK-M24    | 290                  | 65195  | M24          | 7/8   | 36                 | 1 7/16  | 60   | 2.4  | 200                | 7.9  |
| SMSK-M27    | 380                  | 85427  | M27          | 1     | 41                 | 1 5/8   | 65   | 2.6  | 210                | 8.3  |
| SMSK-M30    | 460                  | 103412 | M30          | 1 1/8 | 46                 | 1 13/16 | 72   | 2.8  | 204                | 8.0  |
| SMSK-M33    | 570                  | 128141 | M33          | 1 1/4 | 50                 | 2 13/16 | 79   | 3.1  | 216                | 8.5  |
| SMSK-M36    | 670                  | 150622 | M36          | 1 3/8 | 55                 | 2 3/16  | 83   | 3.3  | 250                | 9.8  |
| SMSK-M39    | 800                  | 179847 | M39          | 1 1/2 | 60                 | 2 3/8   | 91   | 3.6  | 265                | 10.4 |
| SMSK-M42    | 920                  | 206824 | M42          | 1 5/8 | 65                 | 2 9/16  | 98   | 3.9  | 272                | 10.7 |
| SMSK-M45    | 1080                 | 242794 | M45          | 1 3/4 | 70                 | 2 3/4   | 106  | 4.2  | 273                | 10.7 |
| SMSK-M48    | 1220                 | 274267 | M48          | 1 7/8 | 75                 | 2 15/16 | 112  | 4.4  | 290                | 11.4 |
| SMSK-M52    | 1450                 | 325973 | M52          | 2     | 80                 | 3 1/8   | 123  | 4.8  | 336                | 13.2 |
| SMSK-M56    | 1680                 | 377679 | M56          | 2 1/4 | 85                 | 3 1/2   | 131  | 5.2  | 356                | 14.0 |
| SMSK-M64    | 2210                 | 496828 | M64          | 2 1/2 | 95                 | 3 7/8   | 150  | 5.9  | 357                | 14.1 |
| SMSK-M72    | 2880                 | 647450 | M72          | 3     | 105                | 4 5/8   | 168  | 6.6  | 406                | 16.0 |