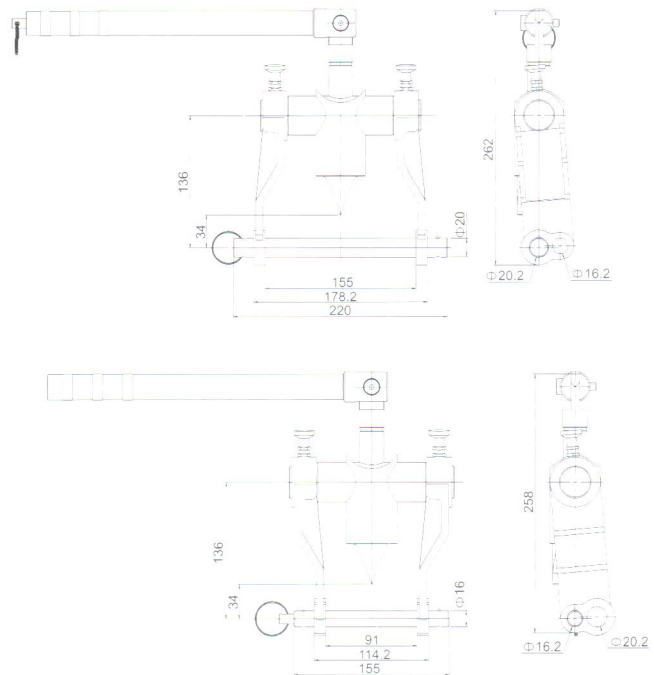
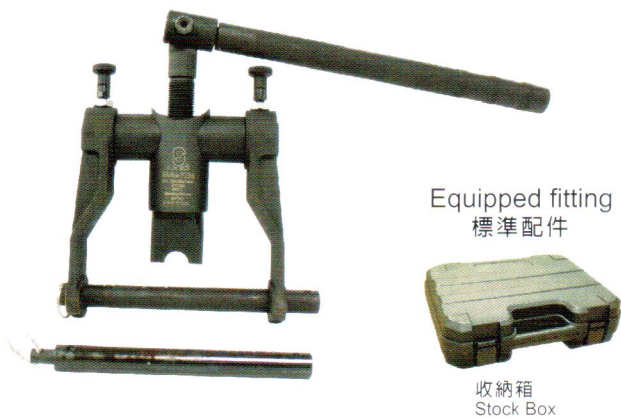
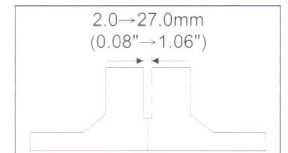


SMG 法蘭撐開器

- 適用於間隙最少在2.0mm (0.08")較小型或較低壓的法蘭結面。
- 具有6.8T (68kN) 撐開力。
- 可反轉兩側，提供最佳使用範圍。
- 獨特的雙角度楔型設計，不因撐開距離而減少力量。

Hydraulic Mini-Gap Flange Spreader

- ※For use on smaller, lower pressure flange joints with a minimum access gap of 2.0mm (0.08").
- ※The tool will provide 6.8T (68kN) of spreading force.
- ※Reversible leg design giving greater range of applications.
- ※Unique double angled wedge produces great spreading force without reducing spreading distance.
- ※Robust lightweight tool.



型號 Model Number	能力 Capacity (kN/ ton)	撐開距離 Spreading distance (mm)	重量 Wt. (kg)	適用範圍 Range of application											
				BS10 Flanges		ASME B16.47 Flanges (含焊頭及盲通) (Including weld neck and blind flange)		ASME B16.5 Flanges (焊頭) (weld neck):		ASME B16.5 Flanges (焊槽) (Socket welded):		ANSI reducing application Flanges (含牙及滑道) (Including threaded and slip on flange):		ANSI orifice application Flanges (含焊頭,牙及滑道) (Including weld neck, thread and slip on flange):	
				等級 Class	範圍 Range	等級 Class	範圍 Range	等級 Class	範圍 Range	等級 Class	範圍 Range	等級 Class	範圍 Range	等級 Class	範圍 Range
SMG-7TM	68/ 7	2.0-27.0	11.5	H	0.5~24"	150	26~60"	150	2~48"	150	2~3"	150	2~48"	300	1~20"
				J	0.5~24"	300	26~60"	300	3/4~48"	300	3/4~3"	300	3/4~48"		
				K	0.5~20"										
				R	0.5~20"										
				S	0.5~16"										
				T	0.5~13"										