

## SIP Hydraulic Presses With Imperial Dimension

- High strength structure and durable.
- Hydraulic-lift bed for effortless adjustment in the vertical direction.  
(10 ton models are manual)
- Multi-selection for power source, such as manual, pneumatic and electric.
- Gauges and V-Blocks are included on all models.  
(Capacity 10 ton series is not equipped with V-Block)

### SIP Series

**Capacity:**

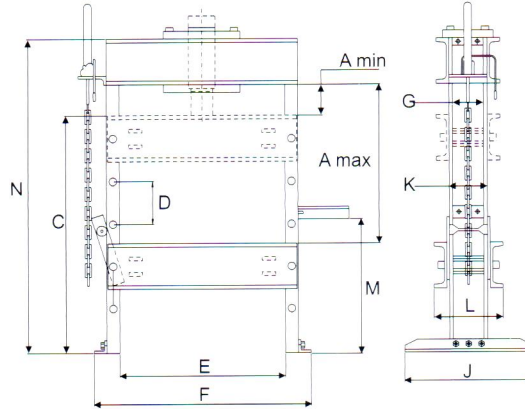
**10-200 ton**

**Maximum Daylight & Width:**

**1384 \*1219 mm**

**Maximum Operating Pressure:**

**700 bar**



Pump Model	Motor	Oil cap.
SIP-10E	0.5hp, 115V/ 220V ,50/60Hz,1ph	3000c.c
SIP-256E	0.5hp, 115V/ 220V ,50/60Hz,1ph	3000c.c
SIP-2514E	1hp, 115V/ 220V ,50/60Hz,1ph	3000c.c
SIP-30E	1hp, 115V/ 220V ,50/60Hz,1ph	3000c.c
SIP-506E	0.5hp, 115V/ 220V ,50/60Hz,1ph	3000c.c
SIP-5013E	2hp, 115V/ 220V ,50/60Hz,1ph	5gal.
SIP-100E	2hp, 115V/ 220V ,50/60Hz,3ph	5gal.
SIP-150E	2hp, 115V/ 220V ,50/60Hz,3ph	5gal.
SIP-200E	3hp, 115V/ 220V ,50/60Hz,3ph	5gal.

Press Model Number	Cap. ton(kN)	Cylinder Model Number	Pump	H-Frame Press Dimensions (mm)											
				Vertical Daylight		C	D	E	F	G	J	K	L	M	N
				A (max)	A (min)										
SIP-RSC1010	10(101)	RSC-1010	H	1016	62	1187	127	473	632	-	756	108	189	889	1321
SIP-RSR1010		RSR-1010	A												
SIP-RSC256	25(232)	RSC-256	H	1384	178	1448	302	737	1029	102	762	133	272	673	1930
SIP-RSC2514		RSC-2514	A												
SIP-RSC308	30(295)	RSC-308	H	1384	178	1448	302	737	1029	102	762	133	272	673	1930
SIP-RSR3014		RSR-3014	A												
SIP-RSC506	50(498)	RSC-506	H	1233	179	1372	264	730	1086	127	914	184	365	781	1930
SIP-RSC5013		RSC-5013	A												
SIP-RSR5013		RSR-5013	E												
SIP-RSC10010	100(933)	RSC-10010	H	1080	178	1295	297	889	1295	171	914	222	441	842	1930
SIP-RSR1006		RSR-1006	A												
SIP-RSR10013		RSR-10013	E												
SIP-RSR15013	150(1386)	RSR-15013	E	1232	318	1384	254	1219	1706	232	1118	333	555	1213	2286
SIP-RSR20013	200(1995)	RSR-20013	E	1232	318	1384	254	1219	1706	232	1118	333	555	1213	2286

H : Hand Pumps    A : Air Hydraulic Pumps    E : Electric Pumps