

SPA-554TQJ Hydraulic Air Pump

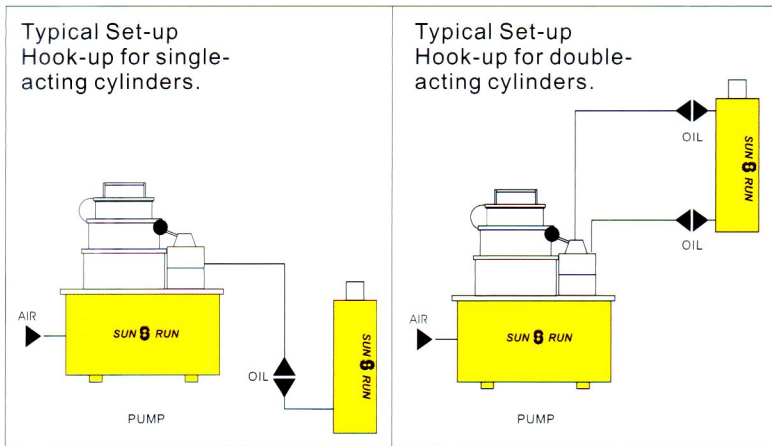
- 2-speed pump drives single -or double-acting cylinders, delivering a high volume of oil .
- Air is the preferred source of power which supply require 3~8bar.
- Max.Pressure : 700bar.
- External adjustable pressure regulator
- Powerful 4 hp motor starts under load.
- Retract side internal relief valve protects tool.
- Just use with Hydraulic lift applications.
- Stainless frame easy to carry.



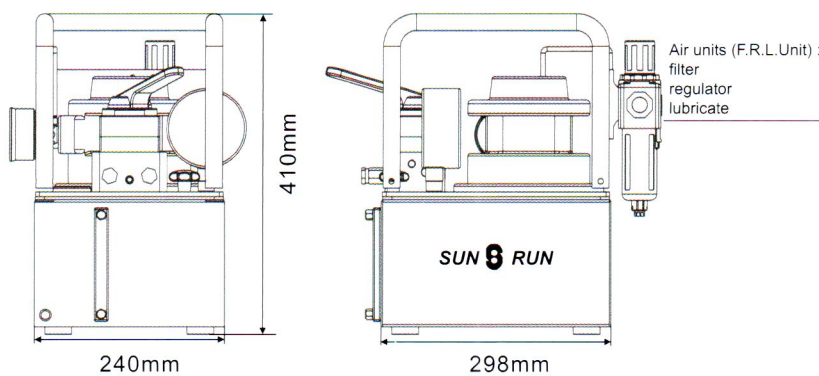
※Optional



Pressure Gauge



	Used with cylinder		Valve Function		
BASIC PUMP VALVE					
Manual 3 way Valve	•		•	•	•
Manual 4 way Valve		•	•	•	•



Model Number	Pump Type	dBA at Idle and 700bar	Motor kW (hp)	Used with cyl.	Flow rate @115VAC(L/min)				Oil tank (L)	Weight (with oil) (kg)
					0 (bar)	50 (bar)	350 (bar)	700 (bar)		
SPA-554TQJ	TWO-Speed	85-90	2.2 (4)	Single- and Double Acting	12.0	7.1	2.0	0.9	8	27.5