

## SPE-2 Series

Reservoir Capacity:  
**20-60L**

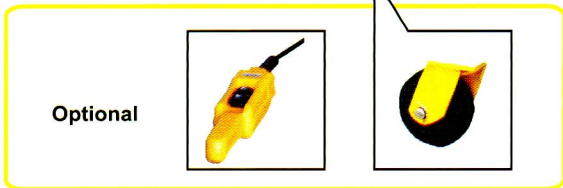
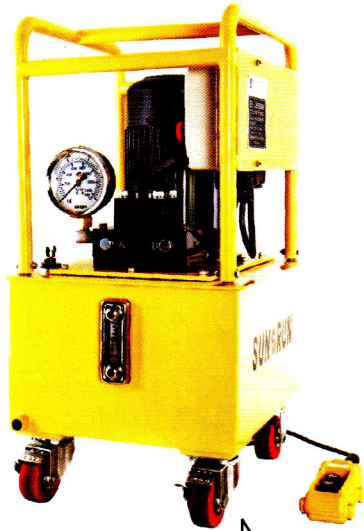
Flow at rated pressure:  
**10.5-1 L**

Motor Size:  
**1.5kW (2 hp)**

Maximum Operating Pressure:  
**700 bar**

## SPE-2 Hydraulic Electric Pump

- Two stage models for reduced cycle times and improved productivity.
- Easy to customize with modular accessory kits.
- User adjustable external relief valve with a factory set upper limit prevents system overload.
- Easy to read integrated oil level sight glass.
- Totally enclosed fan-cooled motors are ideal for outdoor use in many environments.



Custom build your Electric Pump:

**SPE-2 2 6 3 20 3 CW**

1 2 3 4 5 6 7

1. Motor  
2=2Hp(1.5kW)

2. Voltage  
2=230V  
3=380V

3. Hz  
5=50Hz  
6=60Hz

4. Phase  
1=1ph  
3=3ph

5. Reservoir (Lx0.26=gal)

20=20L(5.2gal)  
40=40L(10.5gal)  
60=60L(15.8gal)

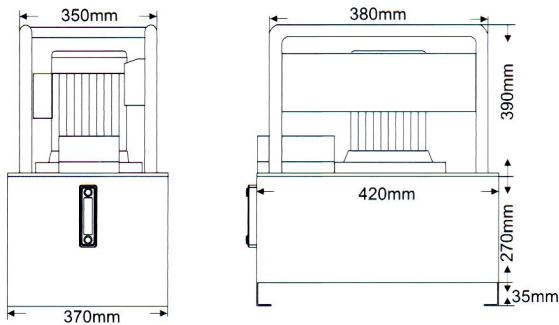
★ User can order suitable reservoir.

6. Valve

3=Manual 3Way  
4=Manual 4Way  
5=Solenoid 3way  
6=Solenoid 4Way

7. Optional

C=Remote control  
W=Wheel  
G=Pressure Gauge



SPE-2153202

|                    | Used with cylinder |   | Valve Function |   |   |
|--------------------|--------------------|---|----------------|---|---|
|                    |                    |   |                |   |   |
| BASIC PUMP VALVE   |                    |   |                |   |   |
| Manual 3 way Valve | ●                  |   | ●              | ● | ● |
| Manual 4 way Valve |                    | ● | ●              | ● | ● |

| Model Number | Motor<br>kW<br>(hp) | Operation | Flow Rate<br>(L/min)  |                       | Pressure Rating<br>(bar) |                       | Rpm  | dBA at Idle and 700bar | Weight<br>(20L reservoir no oil)<br>(kg) |
|--------------|---------------------|-----------|-----------------------|-----------------------|--------------------------|-----------------------|------|------------------------|--|
|              |                     |           | 1 <sup>st</sup> stage | 2 <sup>nd</sup> stage | 1 <sup>st</sup> stage    | 2 <sup>nd</sup> stage |      |                        |  |
| SPE-2        | 1.5<br>(2)          | Two-stage | 10.5                  | 1                     | 55                       | 700                   | 1725 | 70-79                  | 55.5                                     |

※ Product weight and reservoir high will be changed by different reservoir.  
Catalog sample is 20L no oil reservoir.