

SPEGM Hydraulic Gasoline Pump

- Vary reservoirs for use with a wide range of cylinders and application.
- All pumps feature sturdy Roll Cages for use in tough environments.
- High by-pass pressure improve productivity on all model.

SPEGM Series

Reservoir Capacity:

8 L

Flow at rated pressure:

0.78-5.5 L

Motor Size:

3.2 kW(4hp)

Maximum Operating Pressure:

700 bar



Custom build your Pump:

SPEGM- 4 8 4 CW

1 2 3 4

1. Motor

4=4hp(3.2kW)

3. Valve

3=Manual 3Way

4=Manual 4Way

2. Reservoir (Lx0.26=gal)

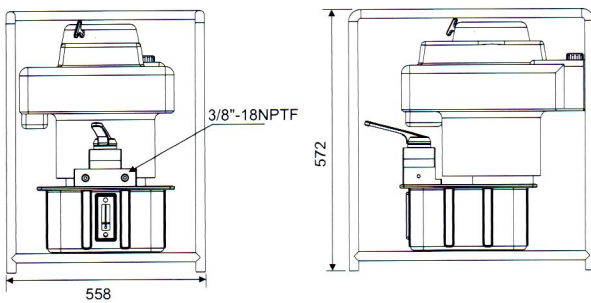
8=8L(2.1gal)

★User can order suitable reservoir.

4. Optional

W=Wheel

G=Pressure Gauge



unit (mm)

	Used with cylinder		Valve Function		
BASIC PUMP VALVE					
Manual 3 way Valve	•		•	•	•
Manual 4 way Valve		•	•	•	•

Model Number	Motor Type/ size	Flow Rate (L/min)		Valve Function	dBA at Idle and 700bar	Weight (kg)
		1 st stage	2 nd stage			
SPEGM	Honda-4hp	5.5	0.78	Advance/Hold/ Retract	90	54