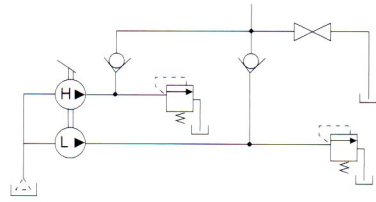
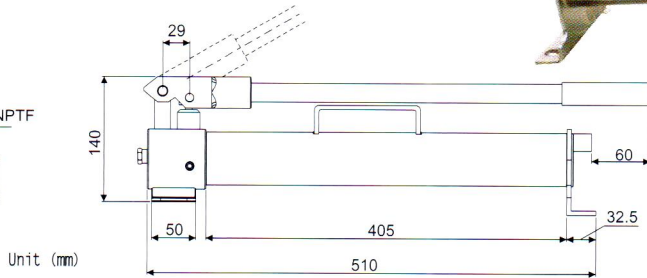
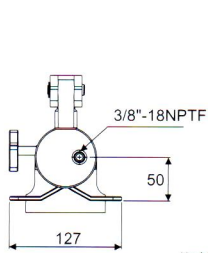


SPHW Water/ Hydraulic Manual Pump

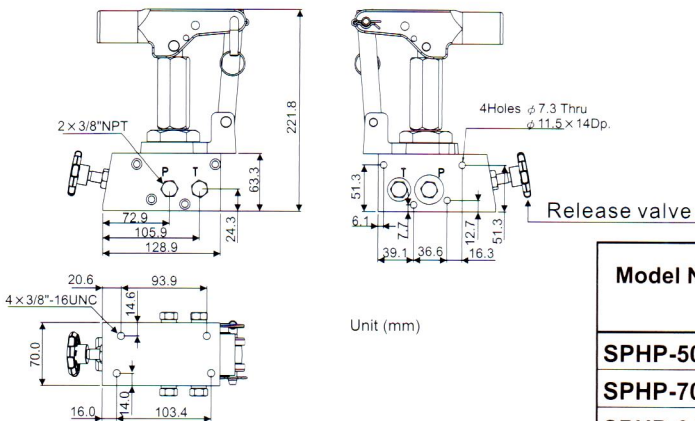
- Manual pump whose hydraulic fluid is "water" and can increase the pressure up to 700bar.
- Special rust-proof treatment is performed to the stainless-steel materials or special steel where the pump contacts water.
- Can be used in a place where the usage of oil is hesitated.
- A safe mechanism incorporating a safety valve like other time-tested 700 bar series.
- Automatic high-low pressure switching pump for improved work efficiency.



| Model Number | Pressure Rating (psi)/(bar) | | Output flow rate (c.c/stroke) | | Water capacity (c.c) | Weight (No water) (kg) |
|--------------|-----------------------------|-----------------------|-------------------------------|-----------------------|----------------------|------------------------|
| | 1 st stage | 2 nd stage | 1 st stage | 2 nd stage | | |
| SPHW-900 | 290(20) | 10,000(700) | 13.0 | 2.3 | 900 | 5.7 |

SPHP Special Application Pump Head

- Adjustable linkage for reduced handle force.
- Swivel pump head for flexible fixturing.
- Wide range of operating pressures to select from.
- Design for tight mounting space, backup manual power or lower pressure and high flows.
- Design for applications when pumps oil tank need to be changed.
- SPHP and SPHH handle construct by Aluminum Alloy which dimension be $\phi 22 * 60$ mm.



| Model No. | Pressure Rating (psi)/(bar) | Volume (c.c/stroke) | Max. Handle Eff. (kgf) | Weight (kg) |
|-----------|-----------------------------|---------------------|------------------------|-------------|
| SPHP-50 | 750(50) | 75 | 36 | 5 |
| SPHP-70 | 1,000(70) | 35 | 48 | 5 |
| SPHP-210 | 3,000(210) | 22 | 54 | 4 |
| SPHP-450 | 6,500(450) | 9 | 54 | 4 |
| SPHP-700 | 10,000(700) | 5 | 54 | 4 |