

SPE-200RI- High Pressure Hydraulic Electric Pump

- The adoption of a magnet motor reduces the noise remarkably.
- The durability has been improved while the performances are maintained.
- Lightweight, compact, and easy to transport .Ideal for site work such as shipyard and civil engineering construction.
- A pressure gauge and a pressure switch are included in each model.
- Automatic high-low pressure switching for improved work efficiency.

*The pressure gauge and switch are exclusive to the SPE-200RI- series, Consult us when them with other series.



SPE-200RI-

Custom build your Electric Pump:

SPE-200RI- 2 1 4 3 C

1 2 3 4 5 6

1.Voltage

200RI=0.625HP(0.5kw)

2.Voltage/A

1=110V/12A
2=220V/7A

3.Phase

1=1ph

4.Reservoir

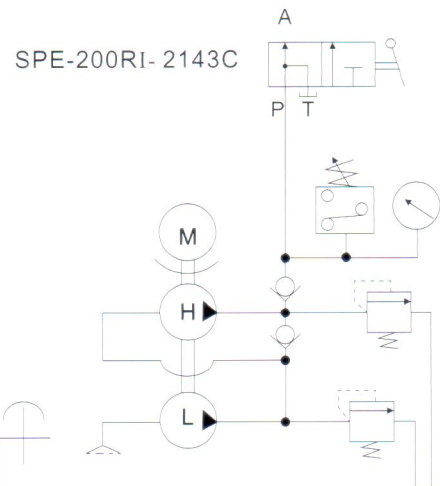
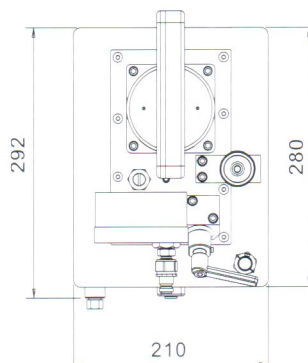
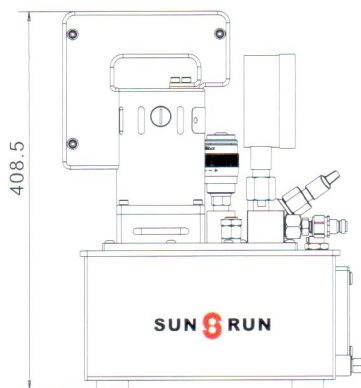
4=4L

5.Valve

3=3way/ 2position Manual Valve

6.fitting

C=Remote control
P=Pressure gauge



Model Number	Motor kW(hp)	Max.Pressure (psi)/(bar)	Pressure Rating (psi)/(bar)		Output flow rate (L/min)		Weight (include oil) (kg)
			1 st stage	2 nd stage	1 st stage	2 nd stage	
SPE-200RI-	0.5(5/8)	29,000(2000)	435(30)	29,000(2000)	2	0.1	24