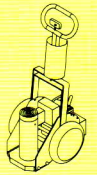


## SPLE Portable High Tonnage Jacks

- Adjustable, ergonomic handle.
- Handle tilts to start the job and is easily locked/ unlocked without moving from operating position.

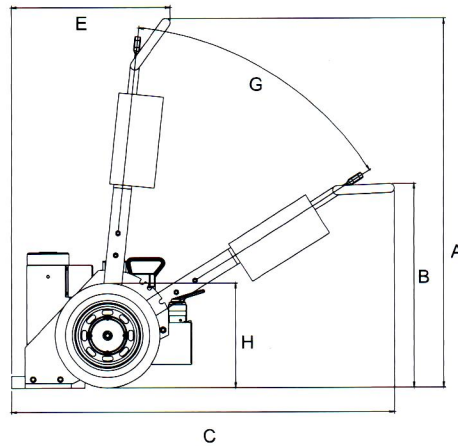
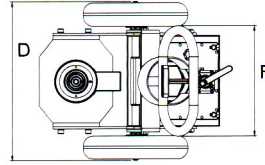
**SPLE Series**



**Capacity per Lifting point:**  
**50-200 ton**

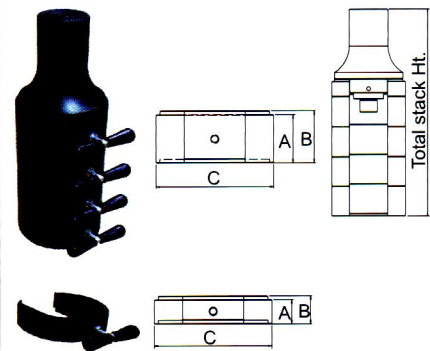
**Max. Stroke:**  
**334 mm**

**Maximum Operating Pressure:**  
**700 bar**



Model No.				dBA 700bar	Dimensions (mm)							Wt. (kg)	Tire Dia. (mm)
SPLE-5013		SPLE-10013			A	B	C	D	E	F	G		
Power Unit	Cylinder	Power Unit	Cylinder									Less cribbing & Ext.	
SPE-554TQJ 1-1/8hp 230V 10.7A 50/60Hz Single Phase	RSR-5013 Cap.: 498kN Stroke:334mm	SPE-554TQJ 1-1/8hp 230V 10.7A 50/60Hz Single Phase	RSR-10013 Cap.: 933kN Stroke:333mm	80-95	1538	850	1592	659	660	458	52	237	436

Cribbing Blocks Model No.	Dimensions (mm)			tons	Jack Module Ext.	Total stack Ht.	Wt.(kg)
	A	B	C				
XKSPLE5013-A01	38.5	44.5	139.7	50	173.0	515.9	16.3
XKSPLE5013-A02	76.5	82.5	139.7				
XKSPLE10013-A01	38.5	44.5	187.3	100	177.8	527.4	30.9
XKSPLE10013-A02	76.5	82.5	187.3				
XKSPLE15013-A01	38.5	44.5	222.2	150	168.3	511.2	38.6
XKSPLE15013-A02	76.5	82.5	222.2				
XKSPLE20013-A01	38.5	44.5	254.2	200	168.3	511.2	38.6
XKSPLE20013-A02	76.5	82.5	254.2				



Jack Module Ext. Model No.	Dimensions (mm)								Wt. (kg)	tons
	A	B	C	D	E	F	G	H		
XKSPLE5013-A03	223.8	173	127	66.8	1"-8UN	63.5	66.8	92.2	9.5	50
XKSPLE10013-A03	228.6	177.8	174.6	95.2	1-3/4"-12UN	76.2	98.4	95.0	18.2	100
XKSPLE15013-A03	219.2	168.4	203.2	114.3	3-3/8"-16UN	111.3	114.3	88.9	22.7	150

