

SPE-554TQJ Hydraulic Electric Pump

- External adjustable pressure regulator.
- SPE-554TQ series: just use with Hydraulic Torque Wrench(see page95-98).
- SPE-554TQJ series: just use with Hydraulic lift applications.
- 3M(10 ft) remote motor control .
- Stainless frame easy to carry.

SPE-554TQJ Series

Reservoir Capacity:

8-20L

Flow at rated pressure:

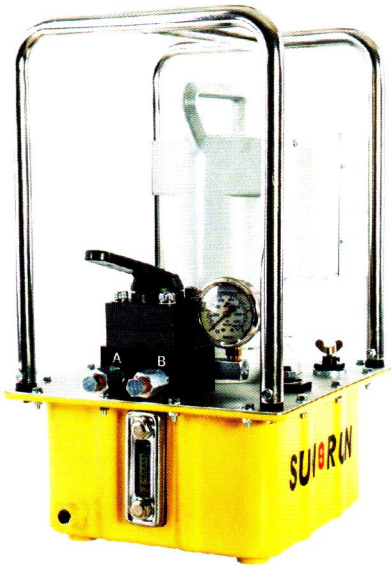
11.3-0.9 L

Motor Size:

0.84kW (1-1/8 hp)

Maximum Operating Pressure:

700 bar



SPE-554TQJ

Custom build your Electric Pump:

SPE-554TQJ 1 5 1 8 4 WO

0 1 2 3 4 5 6

0.Type

TQ= just use in Torque Wrench
TQJ= using in lift applications

1.Voltage

1=115V
2=230V

2.Hz

5=50Hz / 60Hz

3.Phase

1=1ph

4.Reservoir (Lx0.26=gal)

8=8L(2.1gal)
20=20L(5.2gal)

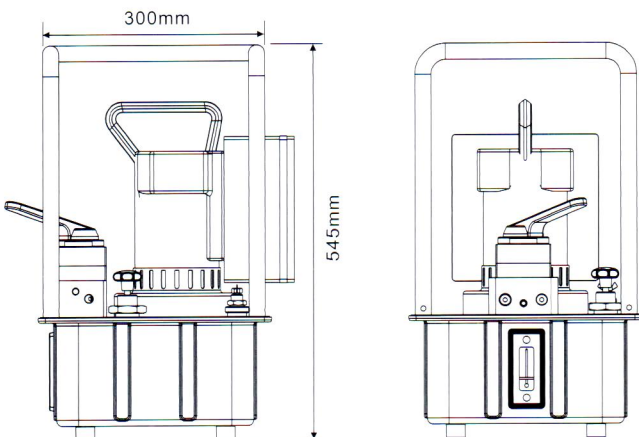
★ User can order suitable reservoir.

5.Valve (just use in TQJ series)

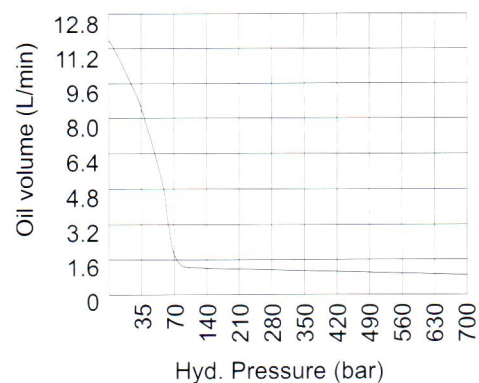
3=Manual 3Way
4=Manual 4Way

6.Optional

W=Castor wheel
O=Cool system
G=Pressure Gauge



SPE-554 Pressure vs volume



Model Number	Rpm	dBA at Idle and 700bar	Motor kW (hp)	Amp at 700bar (A)	Flow rate @230VAC(L/min)				Oil tank (L)	Usable oil (L)	Weight (with oil) (kg)
					0 (bar)	50 (bar)	350 (bar)	700 (bar)			
SPE-554	12000	80	0.84 (1-1/8)	25 /110V	11.3	7.1	1.2	0.9	8	7	32
				10.7 /230V							