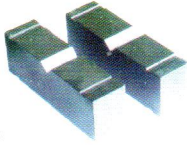


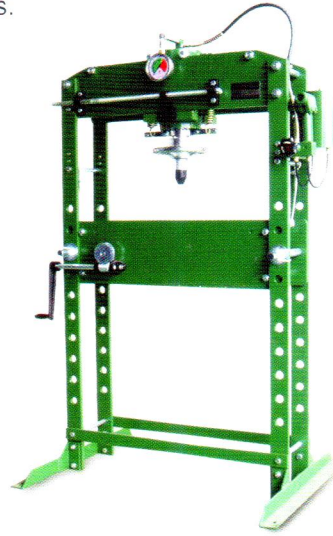
STP Hydraulic Presses

- Automatic welding frame for maximum strength and long life.
- Roller head design allows movement and lock the cylinder from side to side, suitable for different condition.
- Gauges and V-Blocks are included on all models.

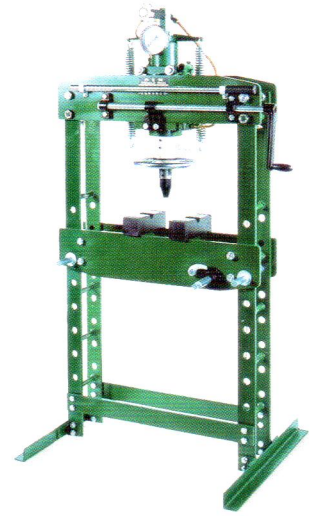


V-Blocks

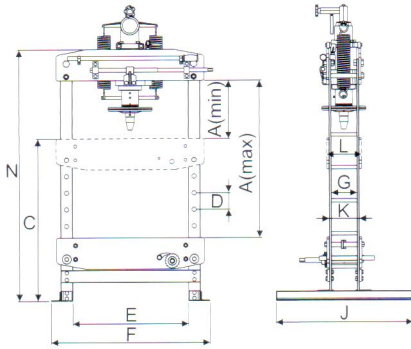
Design for easy fixturing of round or other nonuniform materials.



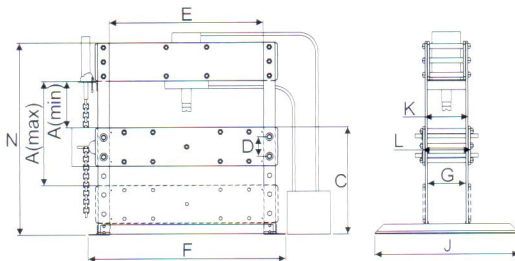
STP-35



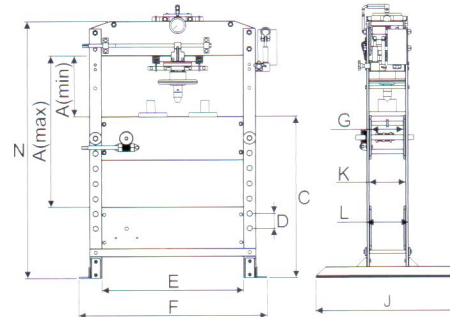
STP-15



STP-15 / STP-15A



STP-60E STP-100E



STP-35 / STP-35A / STP-35E

Model Number	Cylinder Capacity ton(kN)	Screw Stroke (mm)	Ram Stroke (mm)	Operating Pressure (kgf/cm ²)	Press Modal Pump ²⁾	Output Flow Rate	Dimensions(mm)											Wt. (kg)
							A (max)	A (min)	C	D	E	F	G	J	K	L	N	
STP-15	15(148)	90	108	300	H	5c.c./once	1000	310	880	90	625	858	138	740	162	188	1510	168
STP-35	35(335)	125	172	360	H	6c.c./once	1085	335	970	90	850	1130	192	865	217	249	1695	220
STP-35AH ¹⁾					A & H	750c.c./min												222
STP-35EH ¹⁾					E & H	8750c.c./min												250
STP-60E ¹⁾	60(523)	—	310	70 210	E	8750c.c./min 3000c.c./min	1050	250	1350	100	1050	1380	268	1000	306	338	1900	670
STP-100E ¹⁾	100(1010)	—	300	70 210	E	8750c.c./min 3000c.c./min	1080	480	1120	200	1600	2050	400	1500	450	500	2000	1500

1) STP-35AH : Air pressure 7-10kgf/cm² STP-35EH : 0.5HP*110/ 220V*1PH STP-60E : 3HP*220V*3PH STP-100E : 5HP*220V*3PH

2) H:by manual A:by air E:by electric