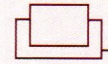


SULF High Pressure Single-Acting, Low Height, Flat Cylinder

- Compact and flat design for use where in a narrow space.
- Single-Acting, load return.
- The piston can be used up to 3 deg of the inclination.
- When the piston is protruded over stroke, the oil leaks.

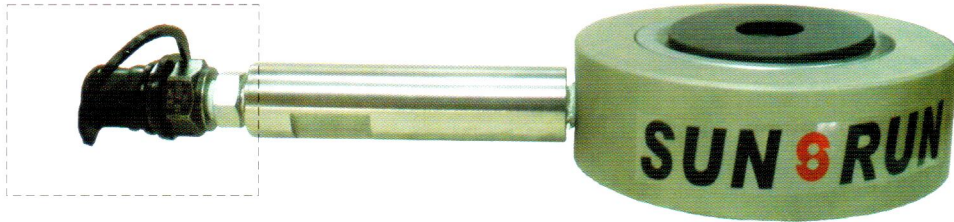
SULF Series



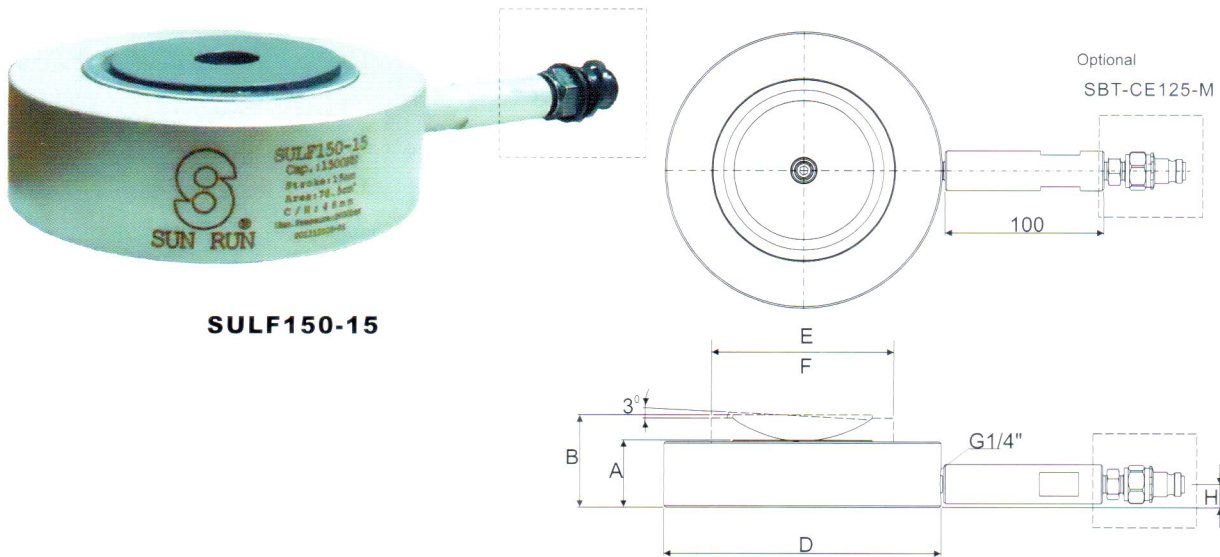
Capacity:
100-300 ton

Stroke:
10-20mm

Maximum Operating Pressure:
2000 bar



SULF100-10



SULF150-15

Model Number	Cylinder Capacity	Stroke	Eff. Area	Oil capacity	Collapsed Height	Extended Height	O.D	Cylinder Bore Diam.	Plunger Diam.	Base to Adv. Port	Weight
	(kN)	(mm)	(cm ²)	(cm ³)	A(mm)	B (mm)	D(mm)	E (mm)	F(mm)	H(mm)	(kg)
SULF100-10	1000	10	50.2	50	41	51	120	80	80	17	3.5
SULF100-15		15	50.2	75	46	61	120	80	80	17	3.9
SULF150-10	1500	10	78.5	79	41	51	150	100	100	17	5.7
SULF150-15		15	78.5	118	46	61	150	100	100	17	6.1
SULF200-10	2000	10	103.8	104	43	53	175	115	115	19	8.1
SULF200-15		15	103.8	156	48	63	175	115	115	19	8.5
SULF200-20		20	103.8	208	53	73	175	115	115	19	9.0
SULF300-10	3000	10	153.9	154	47	57	210	140	140	23	12.8
SULF300-15		15	153.9	231	52	67	210	140	140	23	13.2