

ADDENDUM NO. 2

August 25, 2020

**RE: Salem Water Users Association PWA
2019 System Improvements
Contract – 1 Reed Trail Tank
2.0 M Gallon Elevated Composite Tank
Pulaski County, Arkansas**

FROM: GarNat Engineering, LLC
3825 Mt Carmel Road
Bryant, Arkansas 72022

TO: Prospective Bidders

This Addendum forms a part of the Contract Documents and modifies the original Bidding Documents dated **April, 2020** as noted below. Acknowledge receipt of the Addendum in the space provided on the Bid Form. Failure to do so may subject the Bidder to disqualification.

This Addendum consists of two (2) sheets and one (1) attachment consisting of one (1) sheet.

GENERAL

Acknowledge receipt of this addendum by signing in the space provided below and returning this page to the Engineer by fax to (888) 900-3068 or by e-mail to garnatengineering@gmail.com.

Signature

Company Name

CHANGES TO DRAWINGS

A. Sheet 5 – Tank Ground Floor Plan & Piping Details

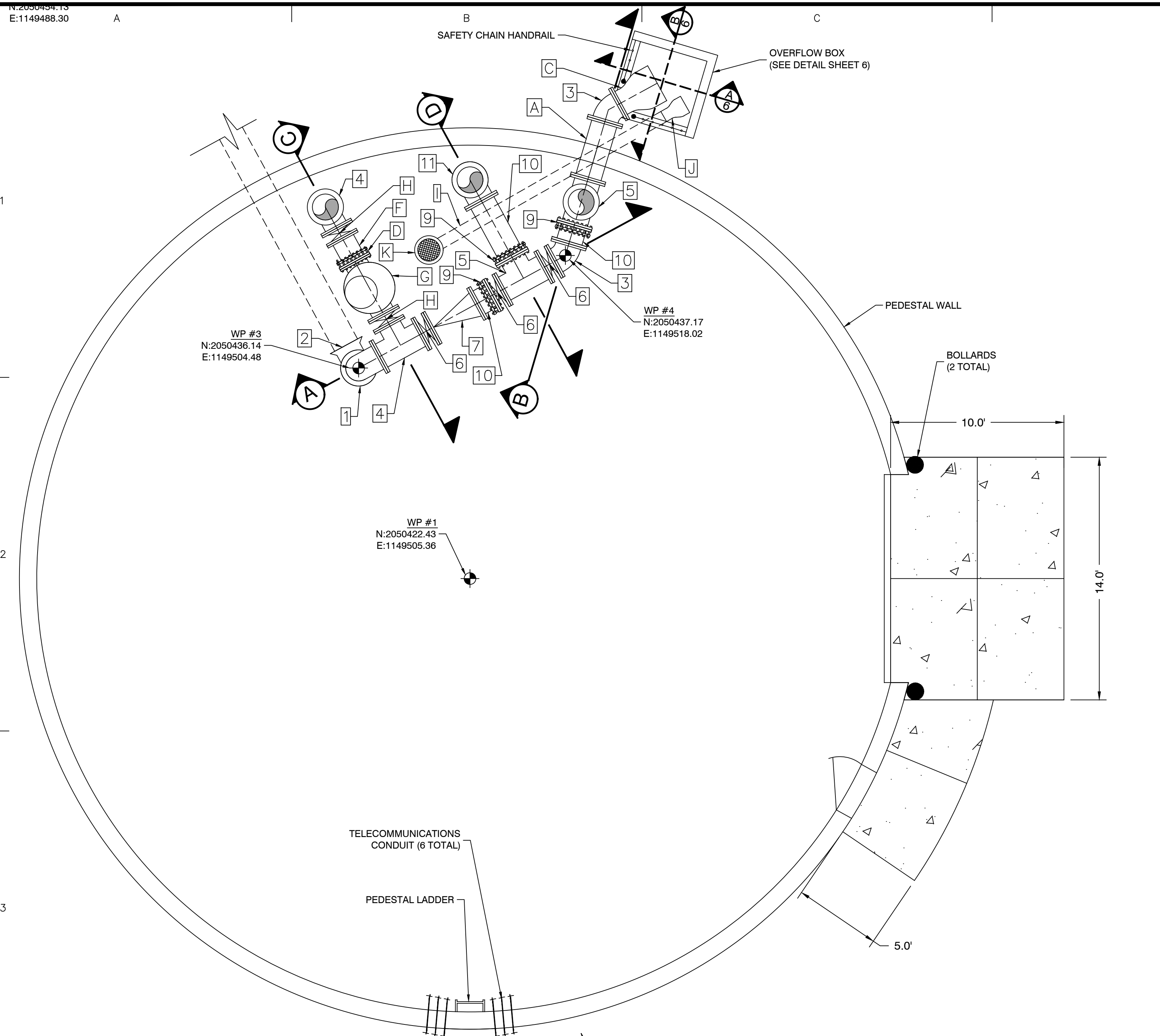
1. Delete sheet and replace with enclosed document

CHANGES TO SPECIFICATIONS

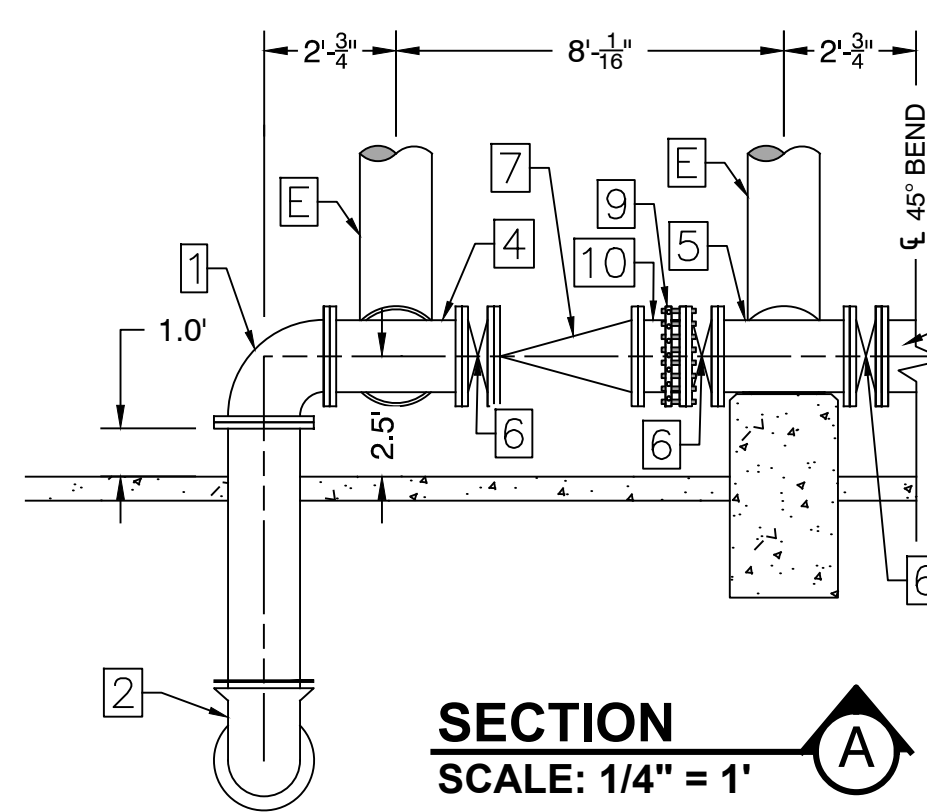
B. Section 13100 – Composite Elevated Water Storage Tank

1. Delete paragraph 1.05.A.1.b and replace with the following:
 - b. The design, construction and commissioning of a minimum of ten (10) 2,000,000 – gallon composite elevated tanks of equal or greater capacity in successful service for at least 5 years. These tanks shall be of the same design and constructed using forming systems as detailed by this specification.
2. Add paragraph 1.05.B.3
3. Caldwell Tanks, Inc.
3. Delete paragraph 3.02.A.6 and replace with the following:
 6. The forming system for the pedestal wall shall be fully engineered and detailed with procedures to meet the increased demands of architectural concrete. The support wall shall be constructed with a jump form process using form segments prefabricated to match the wall curvature. Concrete pour height shall be a minimum of 4 ft. and a maximum of 12 ft. Form panels shall be designed for lateral pressures associated with full height plastic concrete head and eccentric loads resulting from the segmented wall pour procedure.

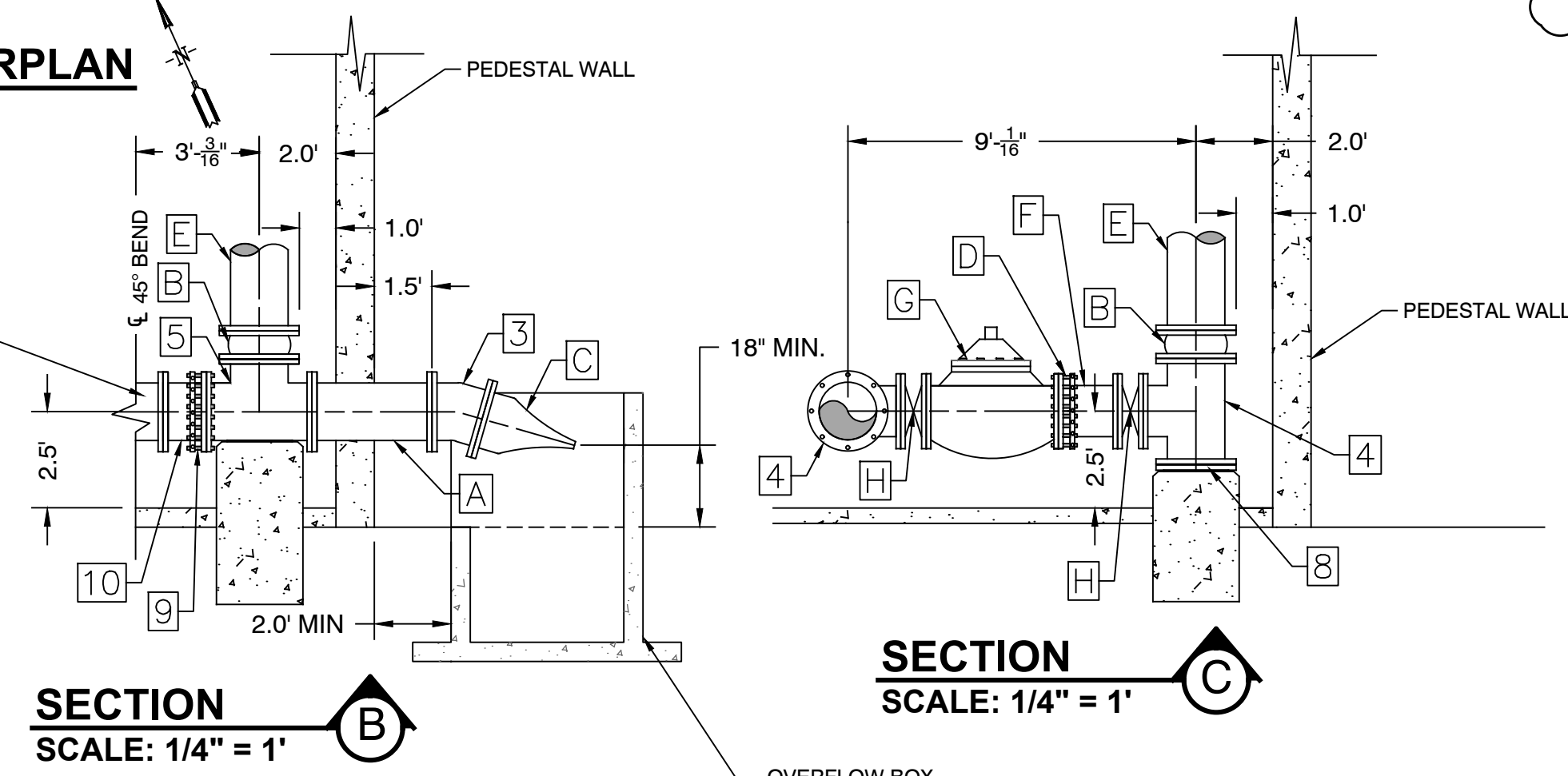
END OF ADDENDUM



GROUND FLOORPLAN
SCALE: 1/4" = 1'

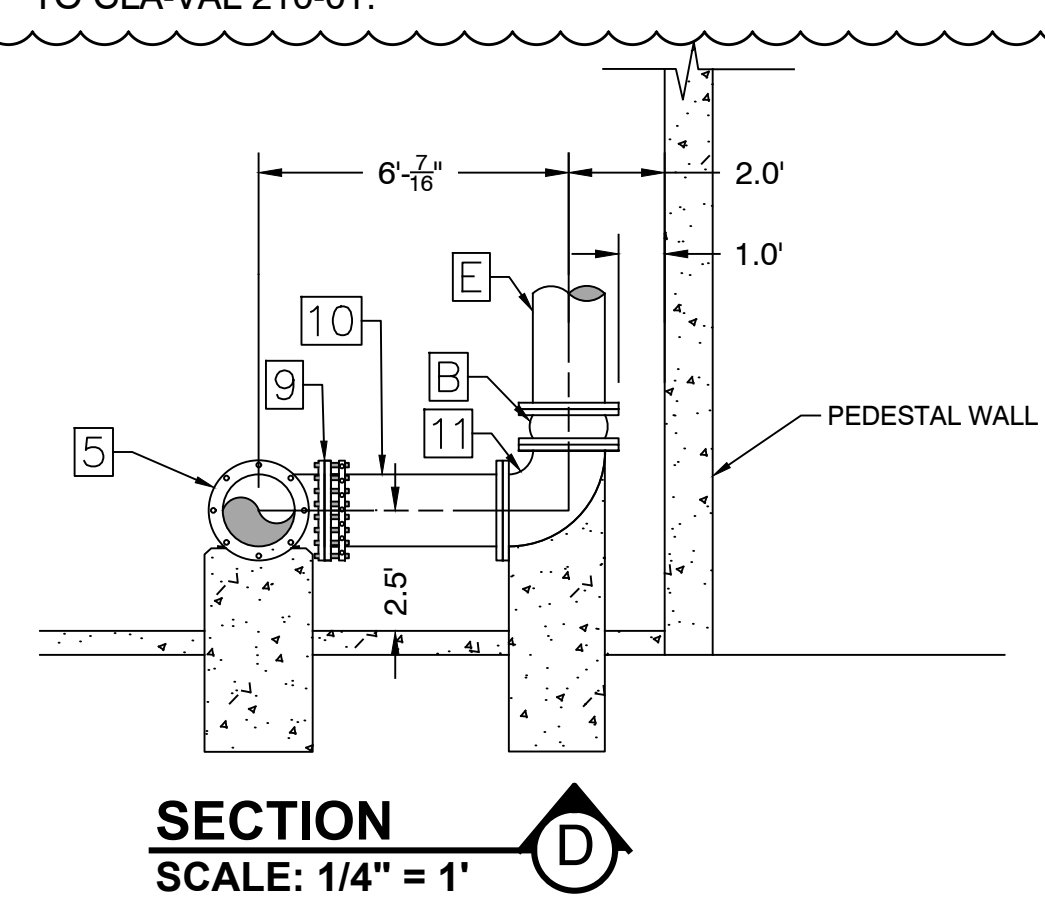


SECTION A
SCALE: 1/4" = 1'



SECTION B
SCALE: 1/4" = 1'

SECTION C
SCALE: 1/4" = 1'



SECTION D
SCALE: 1/4" = 1'

KEYED NOTES

1	18" FL D.I. 90° BEND TAPPED WITH HOSE BIB
2	18" MJ D.I. 90° BEND W/ MEGALUGS
3	18" FL D.I. 45° BEND
4	18" X 16" FL D.I. TEE
5	18" FL D.I. TEE
6	18" FL BUTTERFLY VALVE WITH HAND WHEEL (DEZURIK D10386 OR EQUAL) (SEE NOTE 2)
7	18" FL CHECK VALVE (VALMATIC SWING-FLEX SERIES 500 OR EQUAL) (SEE NOTE 5)
8	18" BLIND FLANGE
9	18" FLANGE COUPLING ADAPTOR (EBAA MEGAFLANGE SERIES 2100 OR EQUAL)
10	18" D.I. SPOOL (FL X PE)
11	18" FL D.I. 90° BEND
A	18" FL D.I. PIPE
B	18" EXPANSION JOINT (MAXI-JOINT 1101HP OR EQUAL)
C	18" FL DUCKBILL CHECK VALVE (TIDEFLEX SERIES 35 OR EQUAL) (SEE NOTE 3)
D	16" FLANGE COUPLING ADAPTOR (EBAA MEGAFLANGE SERIES 2100 OR EQUAL)
E	18" S.S. PIPE
F	16" D.I. SPOOL (FL X PE)
G	16" FL ALTITUDE VALVE (CLA VAL 210-01 OR EQUAL) (SEE NOTE 6)
H	16" FL BUTTERFLY VALVE WITH HAND WHEEL (DEZURIK D10386 OR EQUAL) (SEE NOTE 2)
I	8" D.I. PIPE
J	8" DUCKBILL BAND CLAMP CHECK VALVE (TIDEFLEX SERIES TF-2 OR EQUAL) (SEE NOTE 4)
K	15" FLOOR DRAIN (ZURN Z1737 OR EQUAL)

NOTES:

- ALL PIPING SHALL BE RESTRAINED JOINT. ABOVE SLAB DUCTILE IRON SHALL HAVE FLANGED JOINTS. BELOW GRADE DUCTILE IRON SHALL BE MECHANICAL JOINT WITH MEGALUG OR PUSH ON JOINT WITH RESTRAINED JOINT GASKET.
- VAL-MATIC SERIES 2000 IS AN EQUIVALENT TO DEZURIK D10386.
- CLA-VAL SERIES RF-DBF IS AN EQUIVALENT TO TIDEFLEX SERIES 35. J&S VALVE SERIES 9800 IS AN EQUIVALENT TO TIDEFLEX SERIES 35.
- CLA-VAL SERIES RF-DBO IS AN EQUIVALENT TO TIDEFLEX SERIES TF-2. J&S VALVE SERIES 9900 IS AN EQUIVALENT TO TIDEFLEX SERIES TF-2.
- DEZURIK FLAPPER SWING CHECK SERIES 100 IS AN EQUIVALENT TO VALMATIC SWING-FLEX SERIES 500.
- SINGER VALVE MODEL 106-A-TYPE 2 IS AN EQUIVALENT TO CLA-VAL 210-01.

BY: BLW
REVISION: REVISED PER ADDENDUM - 1
REVISED PER ADDENDUM - 2
DATE: 8-21-20
8-24-20

GNE Designing our client's success
GarNat Engineering, LLC
3825 Mt. Carmel Rd
Bryant, AR 72022
garnatengineering@gmail.com
P.O. Box 116
Benton, AR 72018
Ph: (501) 408-4650

SALEM WATER USERS ASSOCIATION PWA
2019 WATER SYSTEM IMPROVEMENTS
CONTRACT 1 - REED TRAIL TANK
2.0 M GALLON ELEVATED COMPOSITE TANK
PULASKI COUNTY, ARKANSAS

STATE OF ARKANSAS
REGISTERED PROFESSIONAL ENGINEER
JERSON J. WILLIAMS
NO. 9551

04-23-2020

CONTENTS:
TANK GROUND FLOOR PLAN & PIPING DETAILS

PROJECT NO:
18117

DATE:
APRIL 1, 2020

SHEET NO:
5