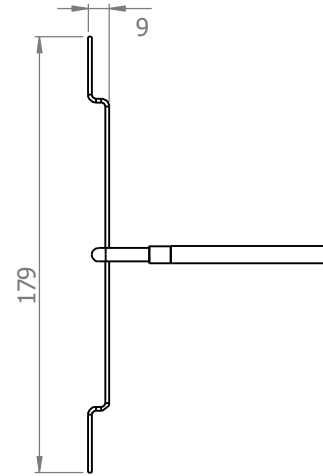
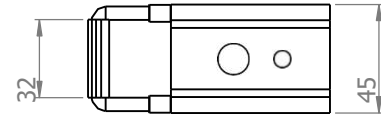


PRODUCT CODE: CGT3
 PUBLICATION DATE: May 2021 v1.01

Horizontal / Vertical Control Gap Tie



Datasheet

DESCRIPTION

Horizontal / vertical control gap tie for brick and block work. This tie will retain masonry integrity against lateral wind loads, sleeves - back plate will absorb differential movement.

FEATURES

- Clay brick / block work
- Tested to a control gap of 40mm
- Soffit and column fitment
- Easy fix installation
- Universal applications
- Australian design & tested AS/NZS 2699.2:2020

FIXING REQUIREMENTS

Fixed with approved fasteners, contact us with your project requirements.

CORROSION CHARACTERISTICS

Galvanised Z600 (R2)
 Stainless steel 316L (R4)
 Conforms to corrosion resistance set by AS/NZS 2699.2:2020 / AS 3700.

ORDERING INFORMATION

When ordering please supply use with the part number and quantity you require

CGT3-R4

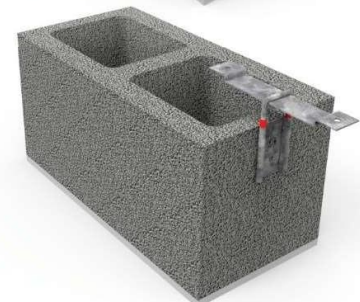
PRODUCT CODE

MATERIAL

Specify
 R2 for Galvanised Z600
 R4 for Stainless steel 316L



COLUMN



SOFFIT



FOR SALES ENQUIRIES, PLEASE CONTACT ROGERS CS (QLD) OR SALES@ROGERSCS.COM.AU

UNIT 2, 19 HOOK STREET, CAPALABA QLD 4157 | T: 07 3823 2316 | HTTPS://ROGERSCS.COM.AU