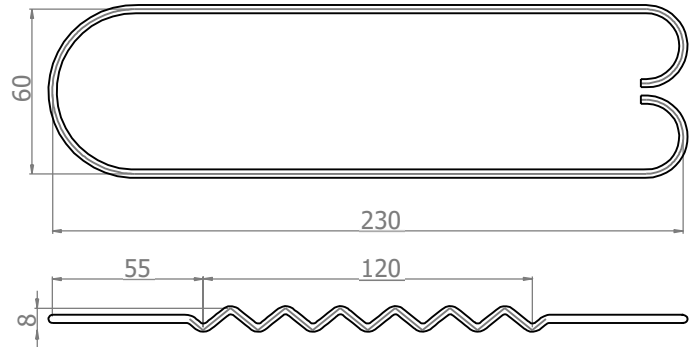
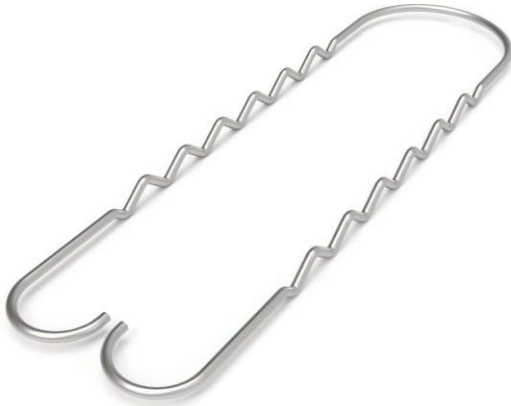


PRODUCT CODE: FIX-120  
PUBLICATION DATE: May 2021 v1.01

## Medium Duty Cavity Wall Tie



Datasheet

### DESCRIPTION

Medium duty cavity wall tie

### FEATURES

- Clay brick / clay brick or clay brick / block work
- Maximum cavity 120mm
- Universal applications
- Australian design & tested AS/NZS 2699.2:2020

### SIZES

Standard Sizes : 230mm

### CORROSION CHARACTERISTICS

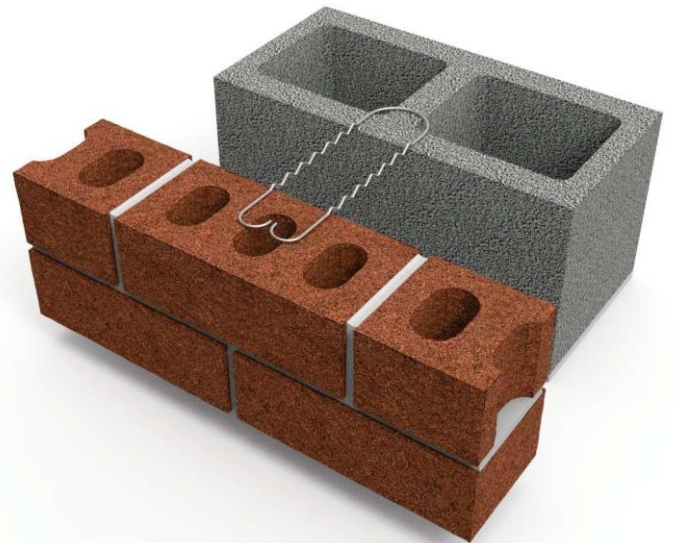
Stainless steel 316L (R4)  
Conforms to corrosion resistance set by AS/NZS 2699.2:2020 / AS 3700.

### ORDERING INFORMATION

When ordering please supply use with the part number and quantity you require

FIX-120

PRODUCT CODE



FOR SALES ENQUIRIES, PLEASE CONTACT ROGERS CS (QLD) OR SALES@ROGERSCS.COM.AU

UNIT 2, 19 HOOK STREET, CAPALABA QLD 4157 | T: 07 3823 2316 | HTTPS://ROGERSCS.COM.AU