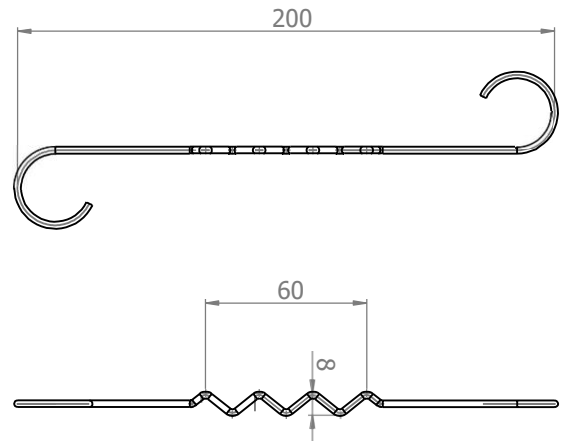


PRODUCT CODE: FIX-50
PUBLICATION DATE: May 2021 v1.01

Medium Duty Cavity Wall Tie



Datasheet

DESCRIPTION

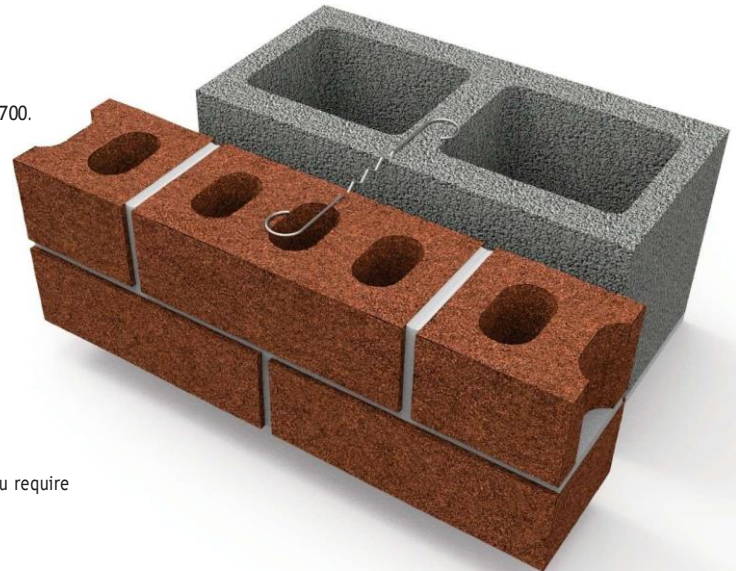
Medium duty cavity wall tie

FEATURES

- Clay brick / clay brick or clay brick / block work
- Maximum cavity 50mm
- Universal applications
- Australian design & tested AS/NZS 2699.2:2020

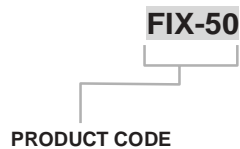
CORROSION CHARACTERISTICS

Stainless steel 316L (R4)
Conforms to corrosion resistance set by AS/NZS 2699.2:2020 / AS 3700.



ORDERING INFORMATION

When ordering please supply use with the part number and quantity you require



FOR SALES ENQUIRIES, PLEASE CONTACT ROGERS CS (QLD) OR SALES@ROGERSCS.COM.AU

UNIT 2, 19 HOOK STREET, CAPALABA QLD 4157 | T: 07 3823 2316 | [HTTPS://ROGERSCS.COM.AU](https://rogerscs.com.au)