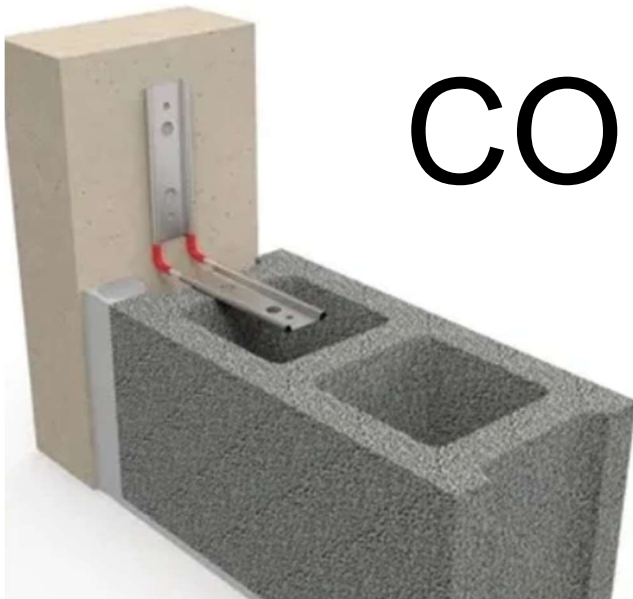


MASONRY CONNECTORS

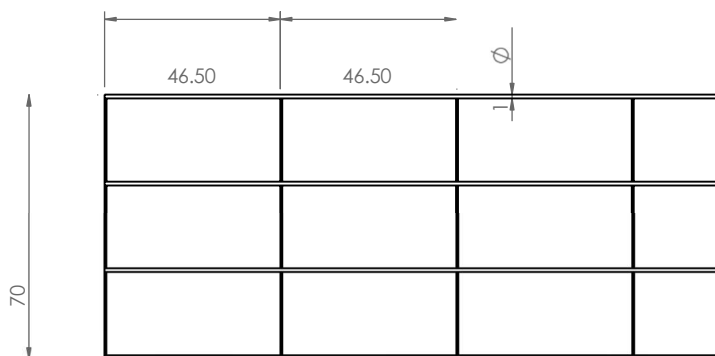
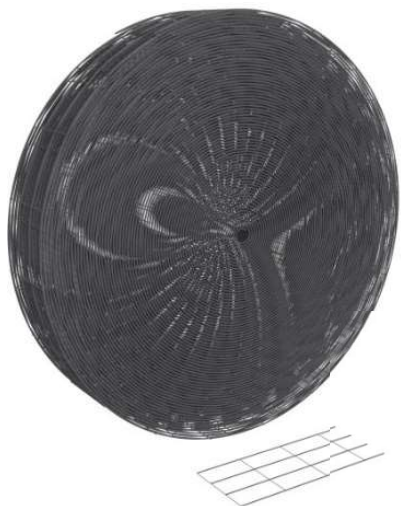
BRICK TIES & EXPANSION TIES



PRODUCT CODE	PRODUCT DESCRIPTION	PAGE
(BR1)	BRICK REO 70	2 - 6
(CGT1)	VERTICAL CONTROL GAP TIE	7
(CGT1-B)	VERTICAL CONTROL GAP TIE	8
(CGT1-P)	VERTICAL CONTROL GAP TIE	9
(CGT3)	HORIZONTAL/VERTICAL CONTROL GAP TIE	10
(CGT2-B)	VERTICAL CONTROL GAP TIE	11
(CGT4)	HORIZONTAL CONTROL GAP TIE	12
(CGT4-2)	HORIZONTAL CONTROL GAP TIE	13
(CGT11)	HEAVY DUTY CAVITY WALL TIE	14
(CGT12-HD)	HEAVY DUTY VENEER WALL TIE	15
(CGT17)	VERTICAL CONTROL GAP TIE	16
(FIX-50)	MEDIUM DUTY CAVITY WALL TIE	17
(FIX-120)	MEDIUM DUTY CAVITY WALL TIE	18
(STUBI-FF)	MEDIUM DUTY FAST FIX WALL TIE	19



Brick Reo 70



DESCRIPTION

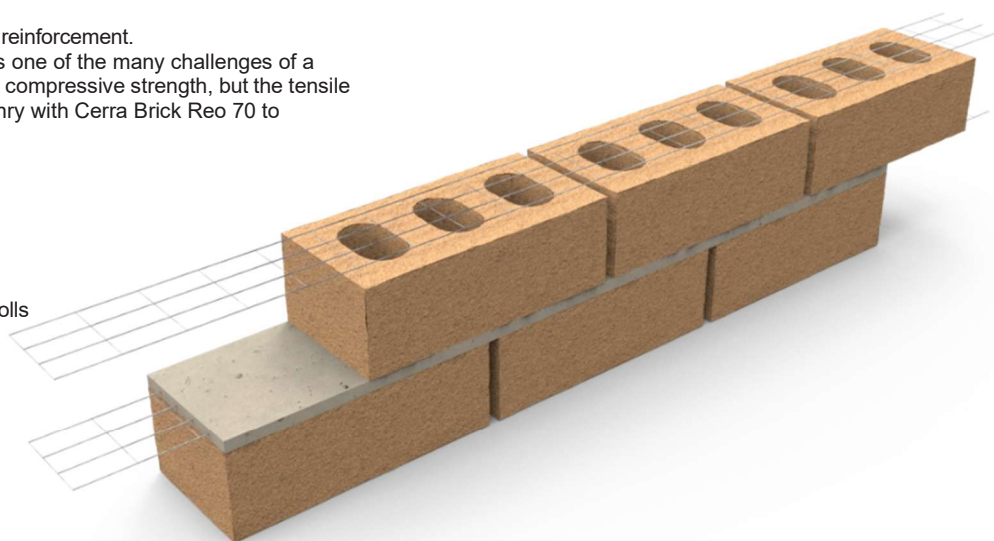
Brick Reo 70 is the standard in masonry reinforcement. Controlling crack formation in masonry is one of the many challenges of a construction project. Masonry has a high compressive strength, but the tensile strength is limited. Reinforce your masonry with Cerra Brick Reo 70 to add strength and prevent cracks.

FEATURES

- Clay brick / block work
- Universal applications
- Durable and efficient crack control
- Available in easy to handle stack-able rolls
- Increased longevity of walls
- Improved seismic resistance
- Creates greater bond strength
- User friendly and easy to install
- Reduces stress concentrations in walls

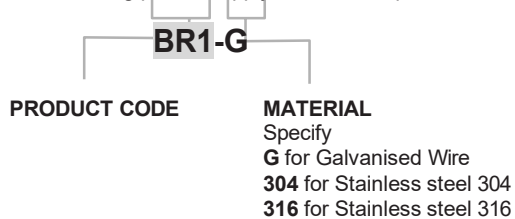
MATERIALS

Galvanised Wire
Stainless steel 304
Stainless steel 316



ORDERING INFORMATION

When ordering please supply use with the part number and quantity you require

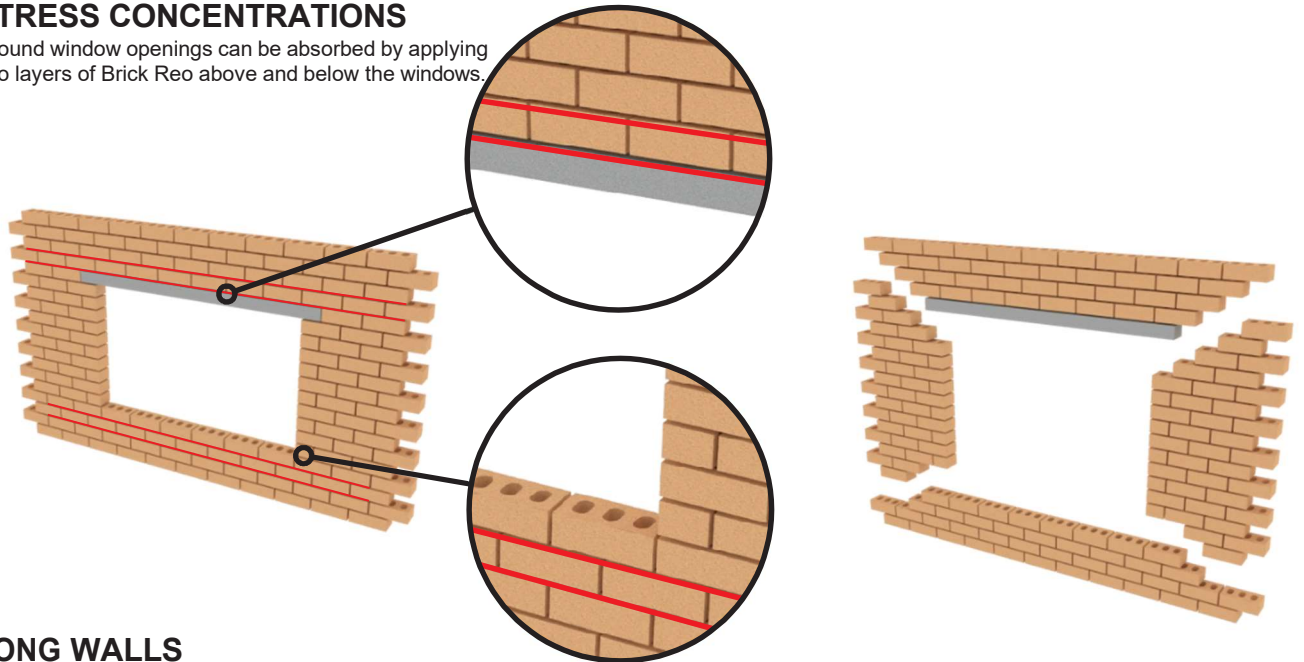


Datasheet

Brick Reo 70

STRESS CONCENTRATIONS

Around window openings can be absorbed by applying two layers of Brick Reo above and below the windows.

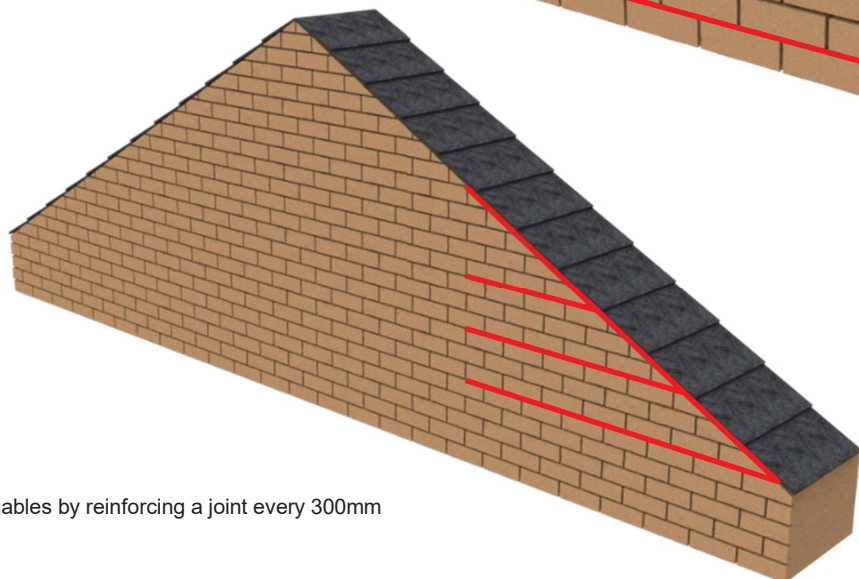
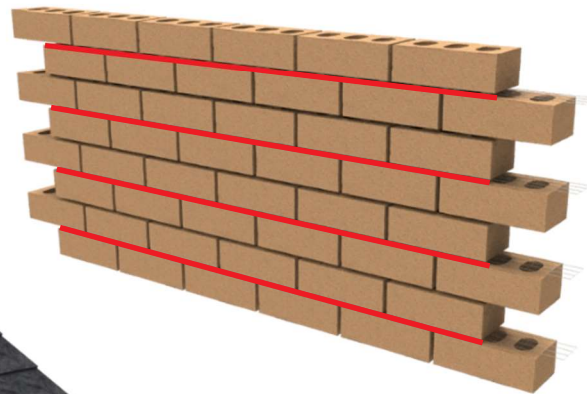


LONG WALLS

Shrinkage or expansion of materials can lead to cracks in the masonry.

These larger distances are dependent on:

- Type and color of the facing brick
- Type of mortar or glue
- Type of joint
- Age of the bricks
- Orientation
- Temperature at implementation
- Type of obstacle



Gables Improve the stability of gables by reinforcing a joint every 300mm



POINT LOADS

Concentrated loads can cause tensile stress and cracks in the masonry. Depending on the volume of the load, three to five layers of the underlying bed joints.

PARTI WALLS

Parti walls that are laid between slabs will start to crack in different places where there is too much sagging. To prevent this, you can reinforce and isolate the wall from the support with Brick Reo.

STACK BONDED MASONRY

Brick Reo guarantee's stability of the masonry with and without a stack bond. For masonry with a stack bond, the bricks are placed directly above each other, meaning reinforcement is essential for wall stability. With masonry without overlaps, reinforcement is required to compensate for insufficient bending bonding.





CORNER AND T-CONNECTIONS

LATERALLY LOADED WALL PANELS

Brick Reo allows longer or thinner wall partitions that can withstand high wind loads.

WIND

STRESS CONCENTRATIONS

With level differences
At wall base
Above window and door openings
Under window sills

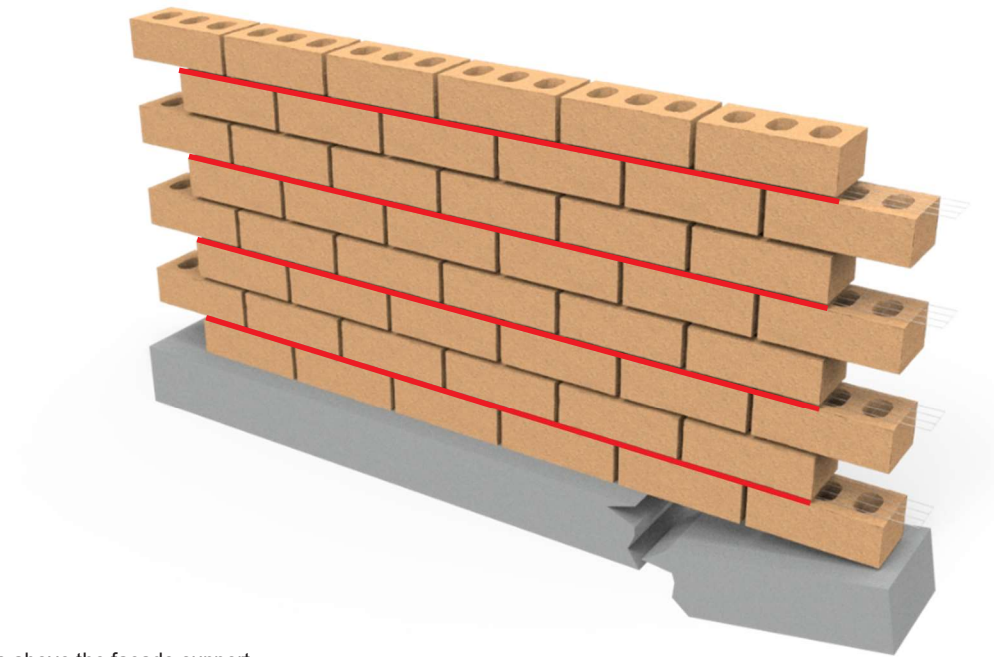
Datasheet



DIFFERENTIAL SETTLEMENT

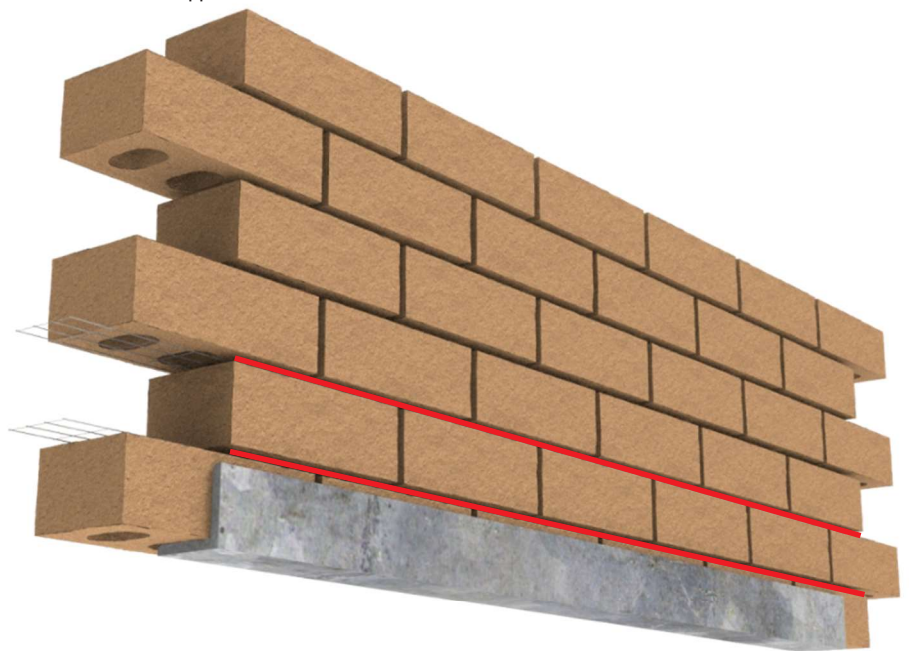
(such as garden walls)

Masonry on partly hardened soil or uneven terrain is susceptible to deformations and stresses. Therefore it is recommended to reinforce the masonry.



FACADE SUPPORT

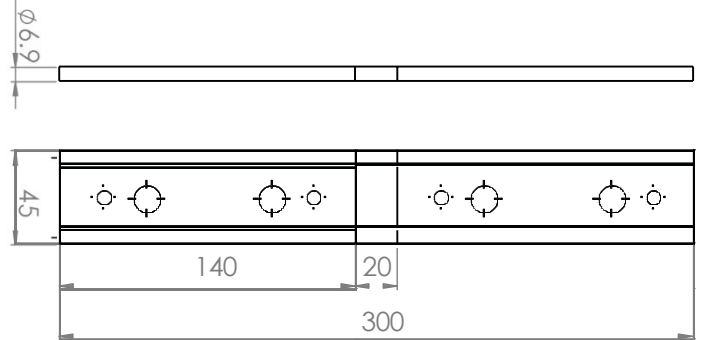
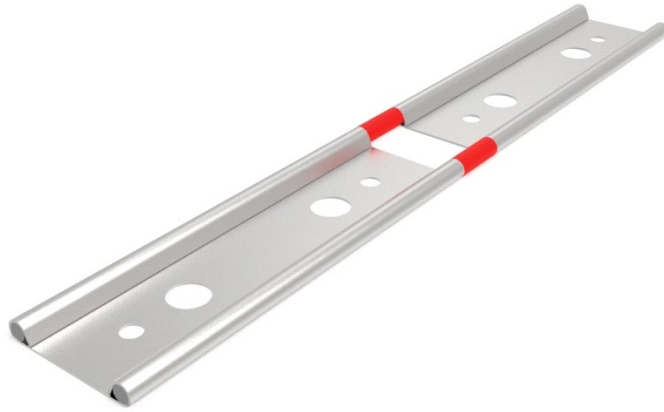
Prevent cracks by reinforcing one or two joints above the facade support





PRODUCT CODE: CGT1
 PUBLICATION DATE: May 2021 v1.00

Vertical Control Gap Tie



DESCRIPTION

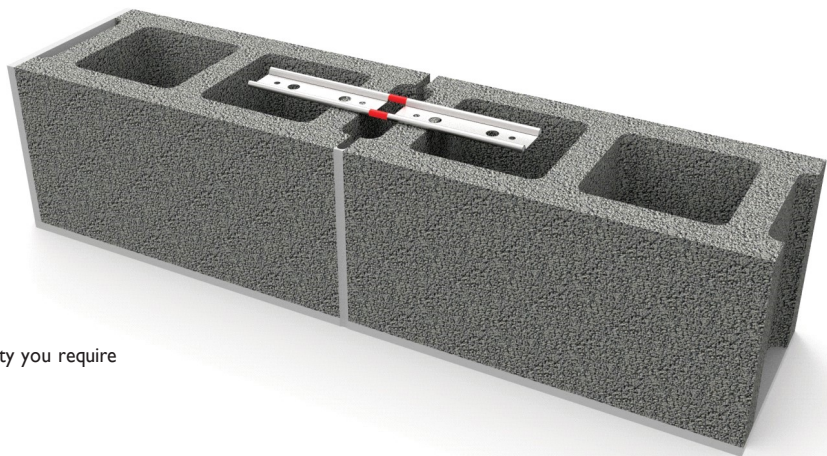
Vertical control gap tie for brick block work. This tie will retain masonry integrity Against lateral wind loads, sleeves will absorb differential movement.

FEATURES

- Clay brick / block work
- Tested to a control gap of 40mm
- Universal applications
- Australian design & tested as/nzs 2699.2:2020

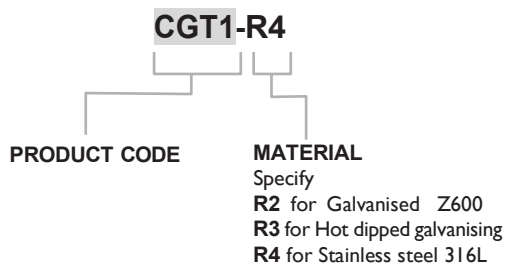
CORROSION CHARACTERISTICS

Galvanised Z600 (R2)
 Hot dipped galvanising (R3)
 Stainless steel 316L (R4)
 Conforms to corrosion resistance set by AS/NZS 2699.2:2020 / AS 3700.



ORDERING INFORMATION

When ordering please supply use with the part number and quantity you require

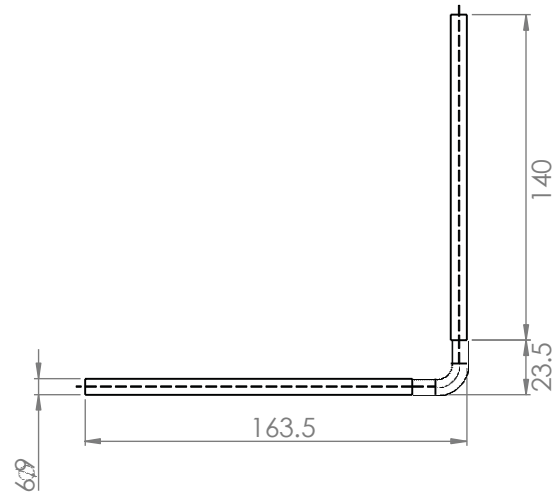
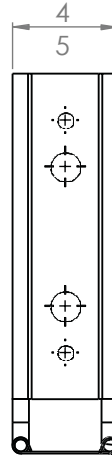
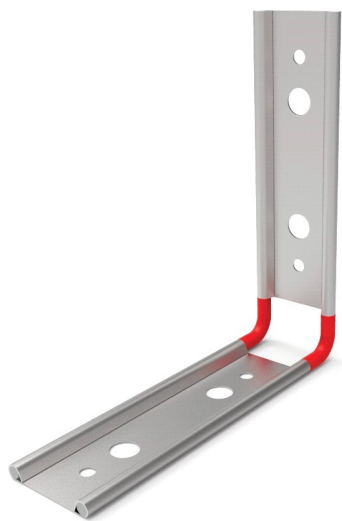


Datasheet



PRODUCT CODE: CGT1-B
PUBLICATION DATE: May 2021 v1.01

Vertical Control Gap Tie



DESCRIPTION

Vertical control gap tie for brick block work. This tie will retain masonry integrity against lateral wind loads, sleeves will absorb differential movement.

FEATURES

- Clay brick / block work
- Tested to a control gap of 40mm
- Wall starter
- Universal applications
- Australian design & tested AS/NZS 2699.2:2020

FIXING REQUIREMENTS

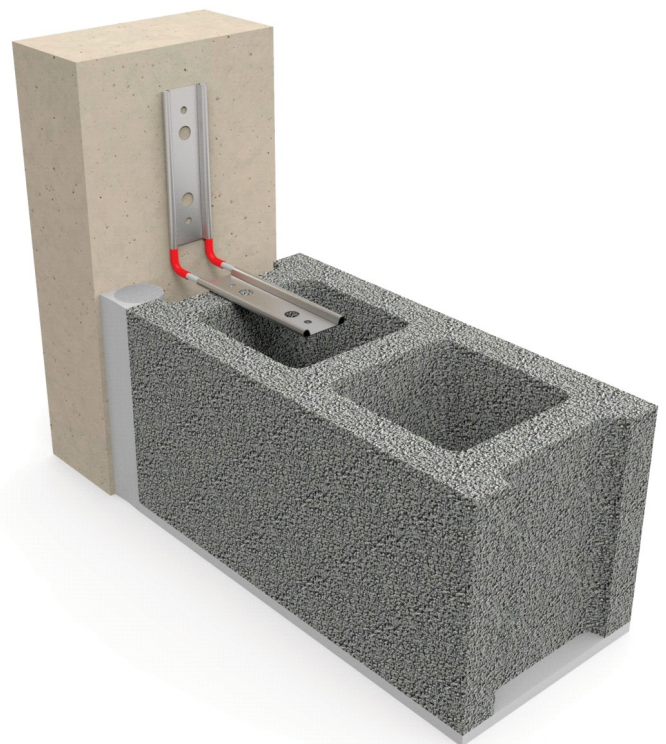
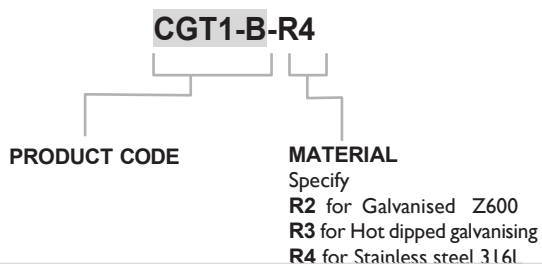
Fixed with approved fasteners, contact us with your project requirements.

CORROSION CHARACTERISTICS

- Galvanised Z600 (R2)
- Hot dipped galvanising (R3)
- Stainless steel 316L (R4)
- Conforms to corrosion resistance set by AS/NZS 2699.2:2020 / AS 3700.

ORDERING INFORMATION

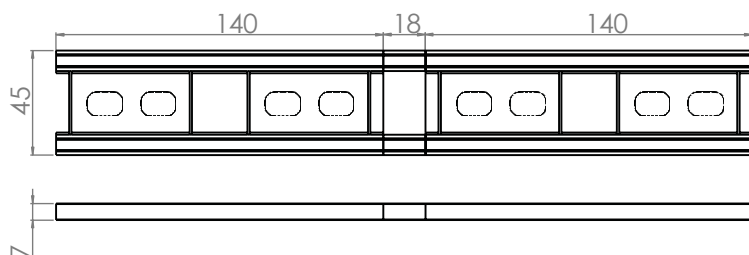
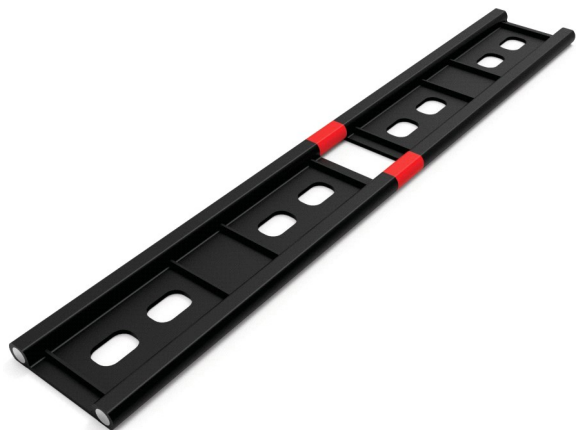
When ordering please supply use with the part number and quantity you require





PRODUCT CODE: CGT1-P
PUBLICATION DATE: May 2021 v1.01

Vertical Control Gap Tie



DESCRIPTION

Vertical control Gap Tie for brickwork. This tie will retain masonry integrity against lateral wind loads, sleeves will absorb differential movement.

FEATURES

- Clay brick
- Tested to a control gap of 20mm
- Universal applications
- Australian design & tested AS/NZS 2699.2:2020

CORROSION CHARACTERISTICS

Heavy galvanised wire (R2)
 Hot dipped galvanising (R3)
 Stainless steel 316L wire (R4)
 Conforms to corrosion resistance set by AS/NZS 2699.2:2020 / AS 3700.

ORDERING INFORMATION

When ordering please supply use with the part number and quantity you require

CGT1-P-R4

PRODUCT CODE

MATERIAL

- Specify
 R2 for Galvanised wire
 R3 for Hot dipped galvanising
 R4 for Stainless steel 316L wire



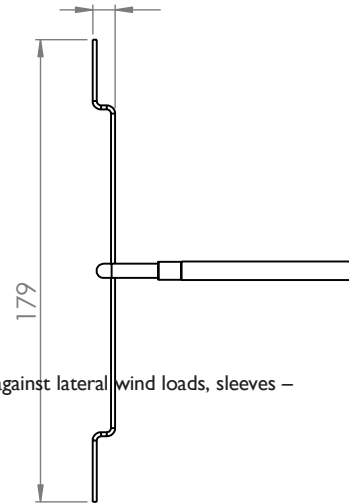
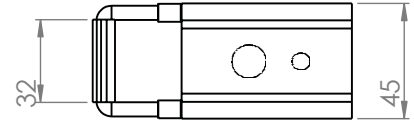
Datasheet





PRODUCT CODE: CGT3
PUBLICATION DATE: May 2021 v1.01

Horizontal / Vertical Control Gap Tie



DESCRIPTION

Horizontal / vertical control gap tie for brick and block work. This tie will retain masonry integrity against lateral wind loads, sleeves – back plate will absorb differential movement.

FEATURES

- Clay brick / block work
- Tested to a control gap of 40mm
- Soffit and column fitment
- Easy fix installation
- Universal applications
- Australian design & tested AS/NZS 2699.2:2020

FIXING REQUIREMENTS

Fixed with approved fasteners, contact us with your project requirements.

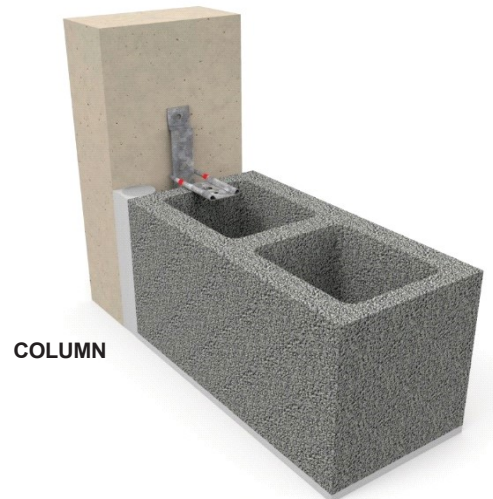
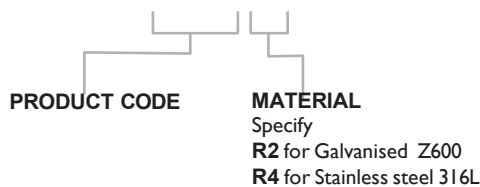
CORROSION CHARACTERISTICS

Galvanised Z600 (R2) Stainless steel 316L (R4)
Conforms to corrosion resistance set by AS/NZS 2699.2:2020 / AS 3700.

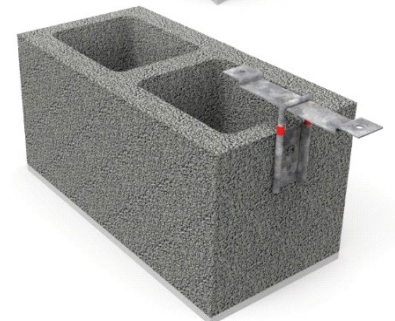
ORDERING INFORMATION

When ordering please supply use with the part number and quantity you require

CGT3-R4



COLUMN



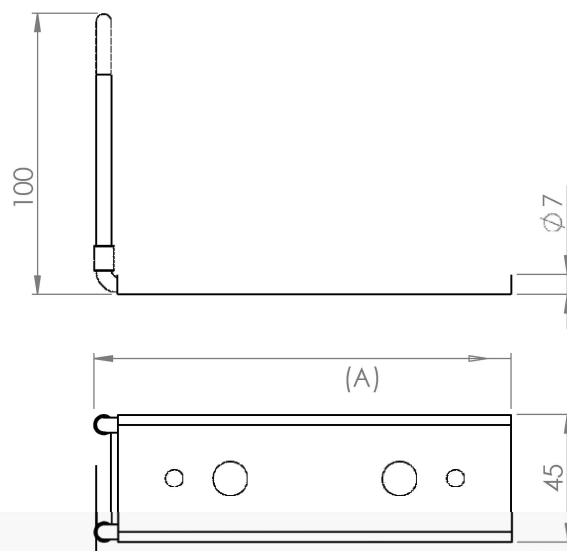
SOFFIT





PRODUCT CODE: CGT2-B
 PUBLICATION DATE: May 2021 v1.01

Vertical Control Gap Tie



DESCRIPTION

Vertical control gap tie for brick and block work. This tie will retain masonry integrity against lateral wind loads, sleeves will absorb differential movement.

FEATURES

- Clay brick / block work
- Tested to a control gap of 0 - 40mm
- Universal applications
- Intersecting walls
- Wall starter
- Stub wall starter
- Cross wall
- Australian design & tested AS/NZS 2699.2:2020

SIZES

Standard Sizes : 100mm 150mm 200mm 250mm

FIXING REQUIREMENTS

Fixed with approved fasteners, contact us with your project requirements.

CORROSION CHARACTERISTICS

Galvanized Z600 (R2) Stainless
 Steel 316L (R4)
 Conforms to corrosion resistance set by AS/NZS 2699.2:2020 / AS 3700.

ORDERING INFORMATION

When ordering please supply use with the part number and quantity you require

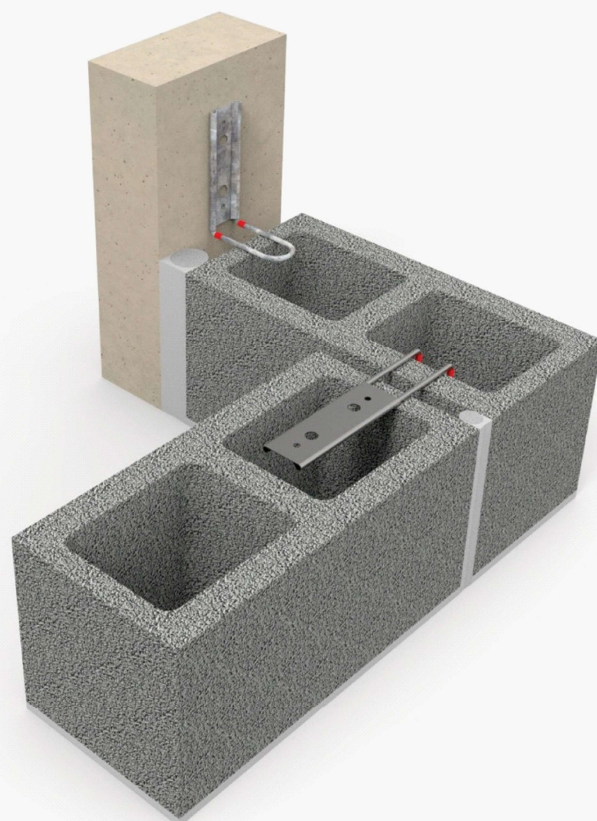
CGT2-B-150-R4

PRODUCT CODE

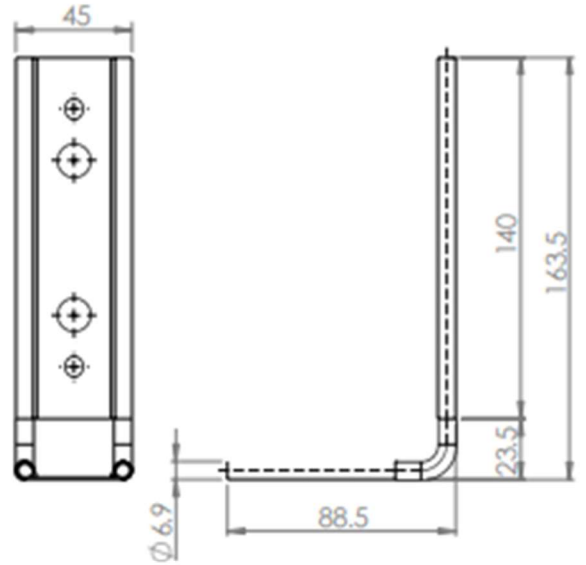
LENGTH

MATERIAL

A
 100 Specify
 150 R2 for Galvanised Z600
 200 R4 for Stainless steel 316L
 250



Horizontal Control Gap Tie



DESCRIPTION

Horizontal control gap tie for brick and block work. This tie will retain masonry integrity against lateral wind loads, sleeves will absorb differential movement.

FEATURES

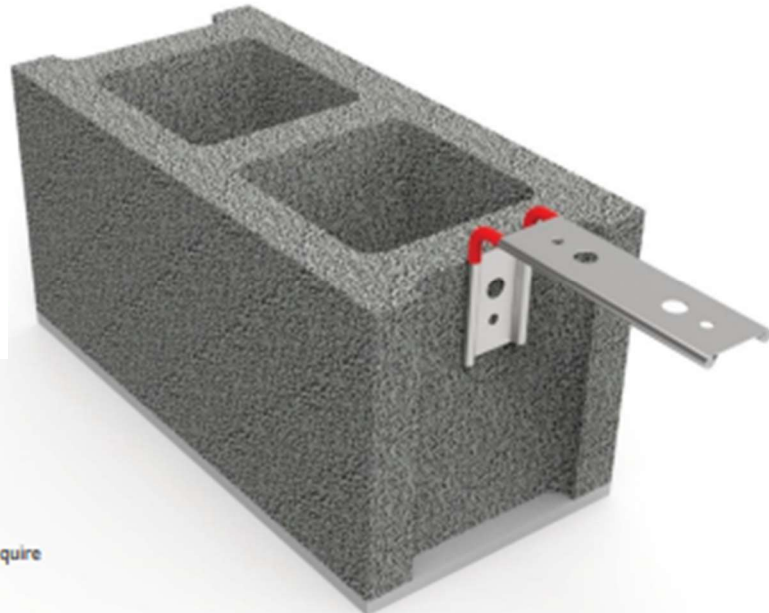
- Clay / brick work
- Tested to a control gap of 40mm
- Universal applications
- Australian design & tested as/nzs 2699.2:2020

FIXING REQUIREMENTS

Fixed with approved fasteners, contact us with your project requirements.

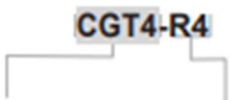
CORROSION CHARACTERISTICS

- Galvanised Z600 (R2)
- Hot dipped galvanising (R3)
- Stainless steel 316L (R4)
- Conforms to corrosion resistance set by AS/NZS 2699.2:2020 / AS 3700



ORDERING INFORMATION

When ordering please supply use with the part number and quantity you require



PRODUCT CODE

MATERIAL

Specify

R2 for Galvanised Z600

R3 Hot dipped galvanised

R4 for Stainless steel 316L

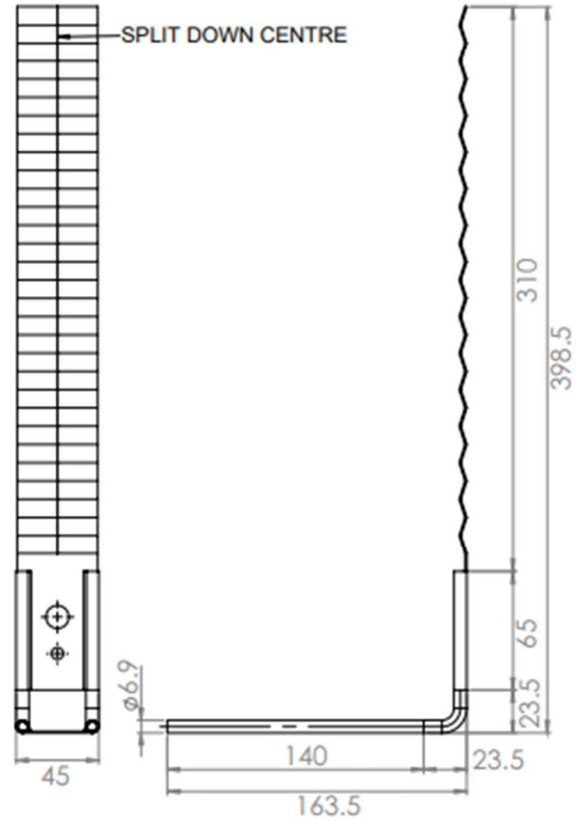


Datasheet



PRODUCT CODE: CGT4-2
PUBLICATION DATE: May 2021 v1.02

Horizontal Control Gap Tie



DESCRIPTION

Horizontal control gap tie for brick and block work. This tie will retain masonry integrity against lateral wind loads, sleeves will absorb differential movement.

FEATURES

- Clay brick / block work
- Increased bond strength
- Tested to a control gap of 40mm
- Universal applications
- Australian design & tested as/nzs 2699.2:2020

FIXING REQUIREMENTS

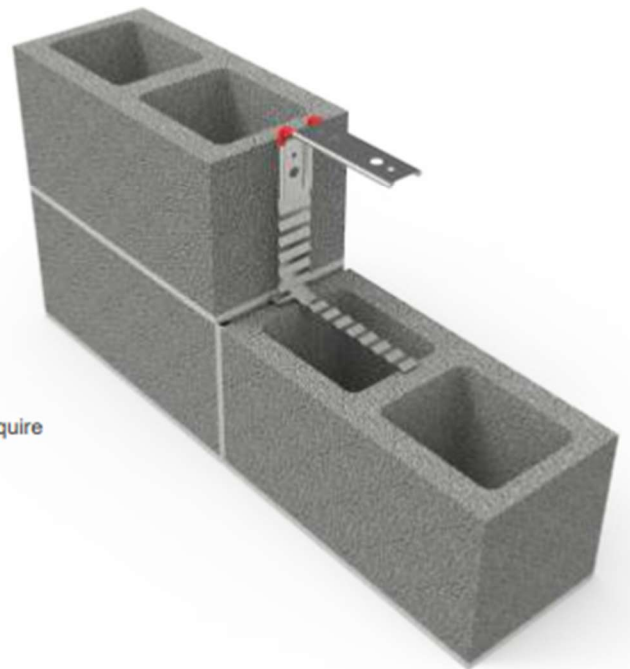
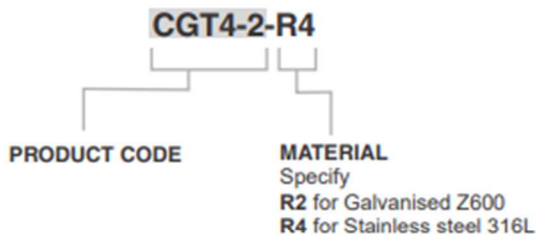
Fixed with approved fasteners, contact us with your project requirements.

CORROSION CHARACTERISTICS

Galvanised Z600 (R2)
Stainless steel 316L (R4)
Conforms to corrosion resistance set by AS/NZS 2699.2:2020 / AS 3700.

ORDERING INFORMATION

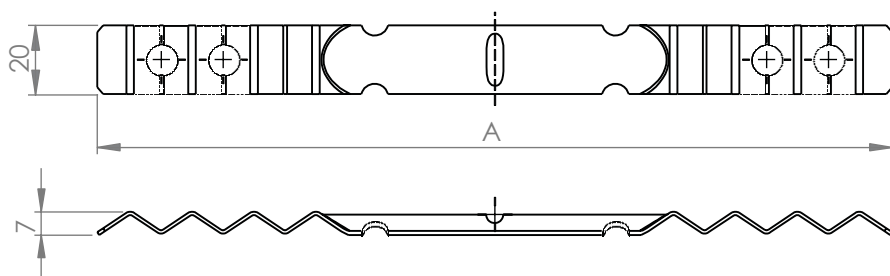
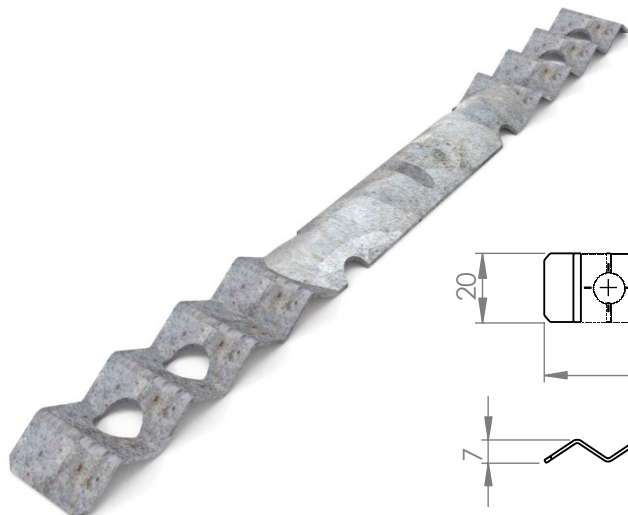
When ordering please supply use with the part number and quantity you require





PRODUCT CODE: CGT11
PUBLICATION DATE: May 2021 v1.00

Heavy Duty Cavity Wall Tie



DESCRIPTION

Heavy duty cavity wall tie

FEATURES

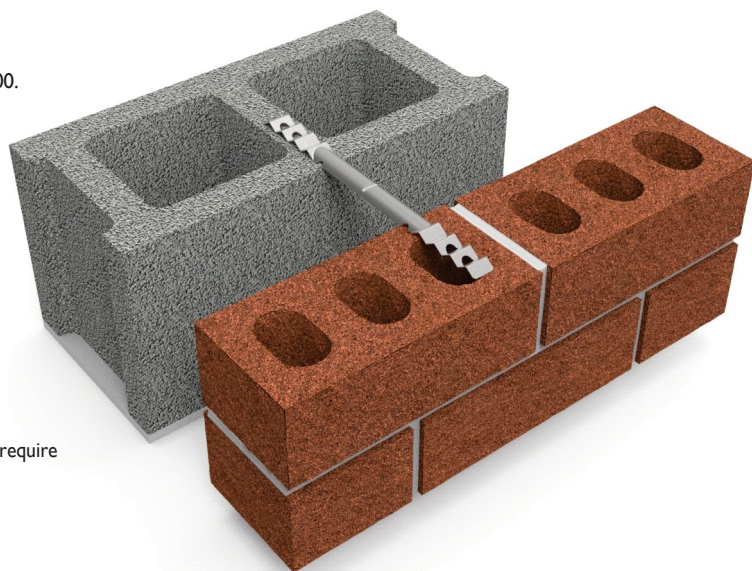
- Clay brick / clay brick or clay brick / block work
- Maximum cavity 120mm
- Universal applications
- Australian design & tested as/nzs 2699.2:2020

SIZES

Standard Sizes : 200mm, 230mm, 270mm, 310mm and 350mm

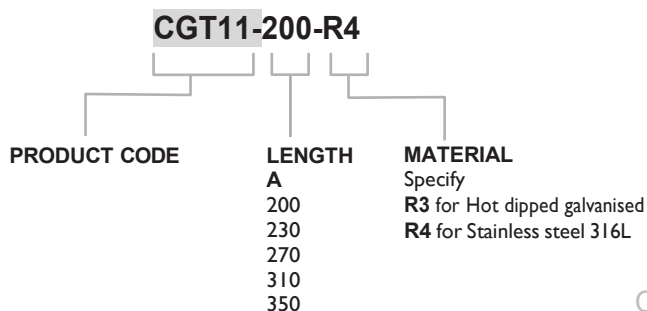
CORROSION CHARACTERISTICS

Hot dipped galvanising (R3)
 Stainless steel 316L (R4)
 Conforms to corrosion resistance set by AS/NZS 2699.2:2020 / AS 3700.



ORDERING INFORMATION

When ordering please supply use with the part number and quantity you require

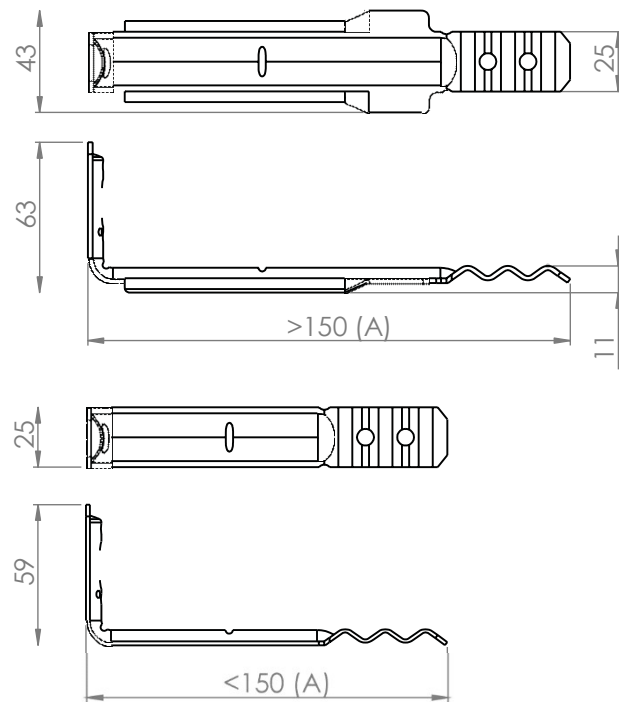


Datasheet



PRODUCT CODE: CGT12-HD
 PUBLICATION DATE: May 2021 v1.01

Heavy Duty Veneer Wall Tie



DESCRIPTION

Heavy duty veneer wall tie.

FEATURES

- Clay brick / block work
- For larger cavity construction
- Additional strengthening wings on ties over 150mm
- Multiple fixing options
- Universal applications
- Australian design & tested AS/NZS 2699.2:2020

SIZES

Standard Sizes : 150mm, 200mm, 250mm and 300mm

Special Order : 350mm, 400mm, 450mm and 500mm

FIXING REQUIREMENTS

- 60mm x 6mm dia AM premium concrete screw (Concrete)
- 32mm x 5mm dia Mushroom spikes head anchor (Concrete)
- S/Drilling hex head 10g X 25mm galvanised class 3 finished (Metal)

CORROSION CHARACTERISTICS

Galvanised Z600 (R2)

Stainless steel 316L

(R4)

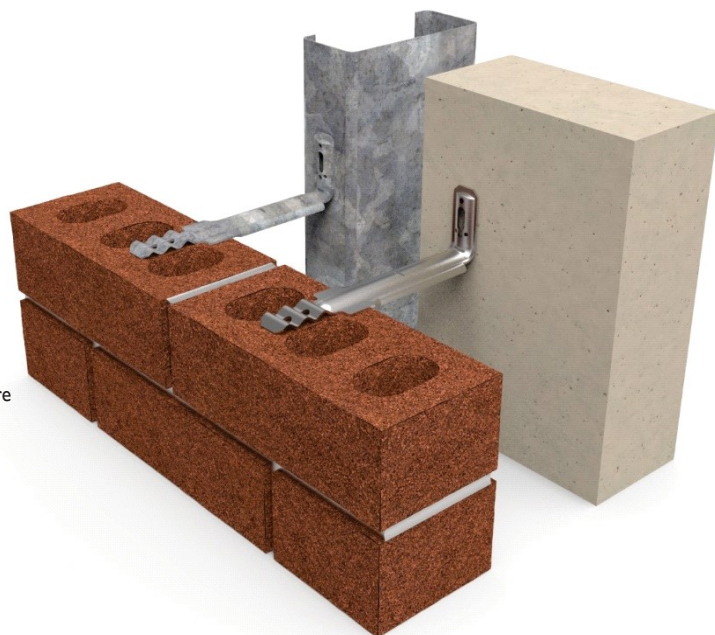
Conforms to corrosion resistance set by AS/NZS 2699.2:2020 / AS 3700.

ORDERING INFORMATION

When ordering please supply use with the part number and quantity you require

CGT12-HD-250-R4

PRODUCT CODE	LENGTH A	MATERIAL Specify
	150 350	R2 for Galvanised Z600
	200 400	R3 for Hot dipped galvanised
	250 450	R4 for Stainless steel 316L
	300 500	



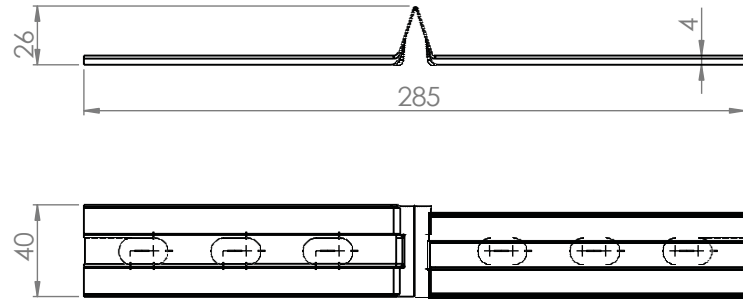
Datasheet





PRODUCT CODE: CGT17
 PUBLICATION DATE: May 2021 v1.01

Vertical Control Gap Tie



DESCRIPTION

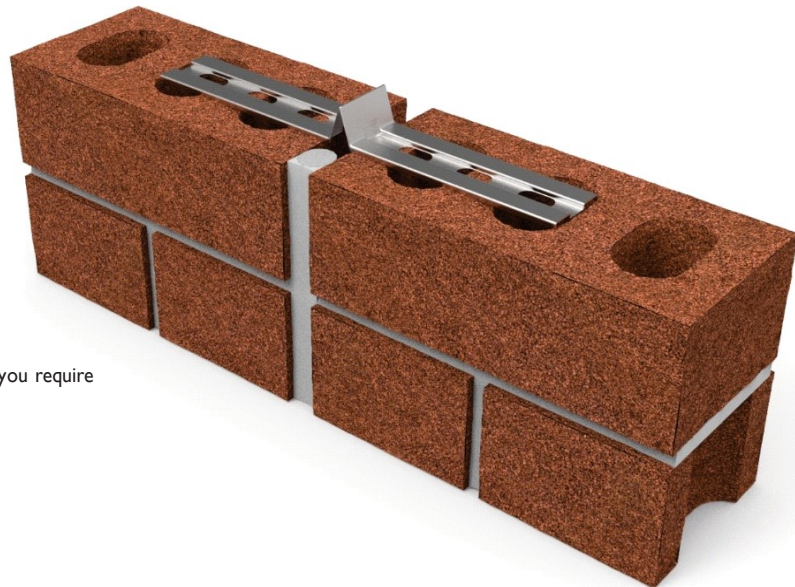
Vertical control gap tie for brickwork. This tie will retain masonry integrity against lateral wind loads, v profile will absorb differential movement.

FEATURES

- Clay brick
- Tested to a control gap of 10 - 15mm
- Universal applications
- Australian design & tested AS/NZS 2699.2:2020

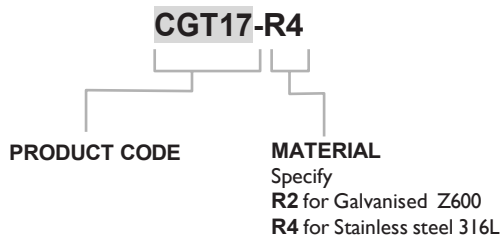
CORROSION CHARACTERISTICS

Galvanised Z600 (R2)
 Stainless steel 316L (R4)
 Conforms to corrosion resistance set by AS/NZS 2699.2:2020 / AS 3700.



ORDERING INFORMATION

When ordering please supply use with the part number and quantity you require



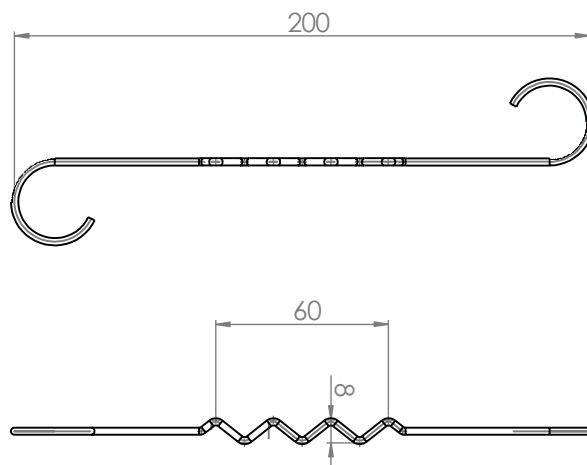
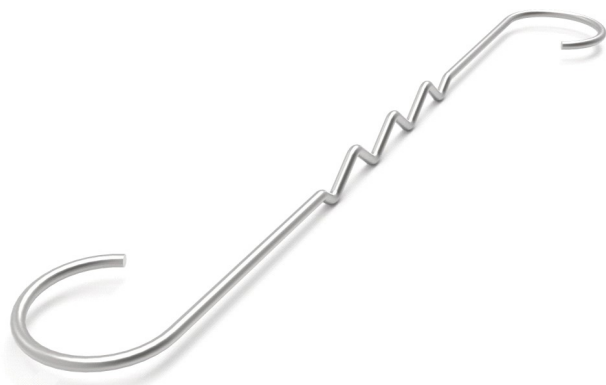
Datasheet





PRODUCT CODE: **FIX-50**
PUBLICATION DATE: **May 2021 v1.01**

Medium Duty Cavity Wall Tie



DESCRIPTION

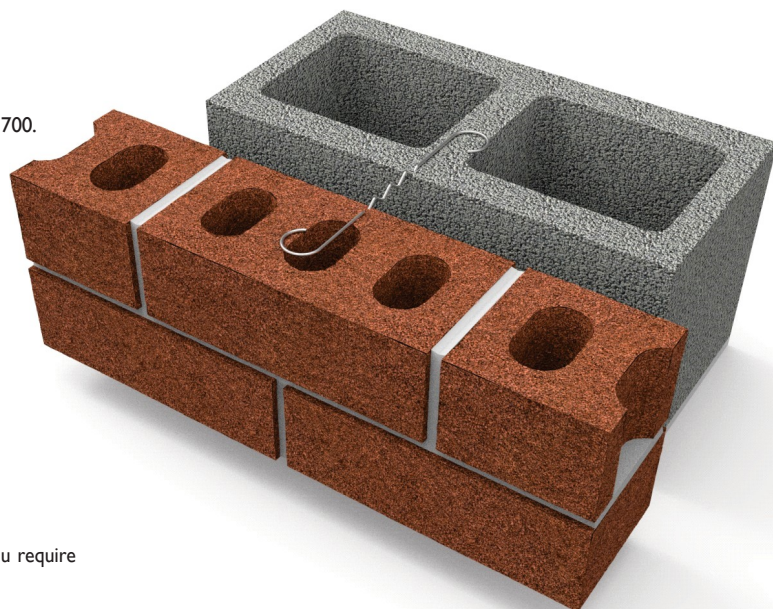
Medium duty cavity wall tie

FEATURES

- Clay brick / clay brick or clay brick / block work
- Maximum cavity 50mm
- Universal applications
- Australian design & tested AS/NZS 2699.2:2020

CORROSION CHARACTERISTICS

Stainless steel 316L (R4)
Conforms to corrosion resistance set by AS/NZS 2699.2:2020 / AS 3700.



ORDERING INFORMATION

When ordering please supply use with the part number and quantity you require

FIX-50

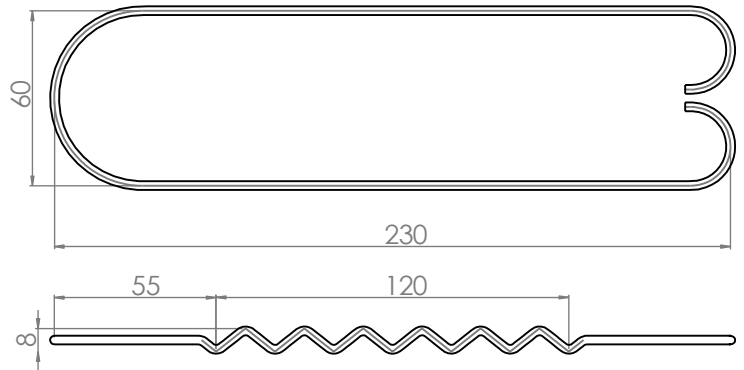
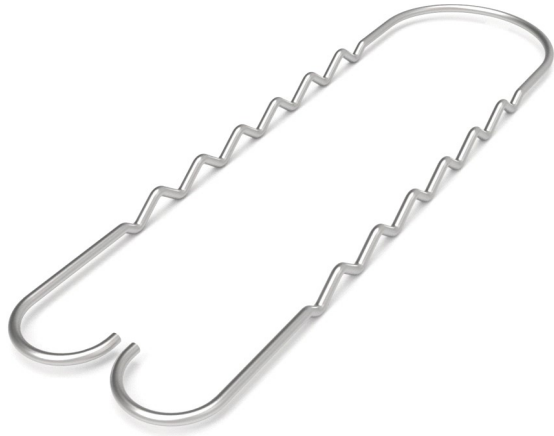
PRODUCT CODE





PRODUCT CODE: **FIX-120**
PUBLICATION DATE: **May 2021 v1.01**

Medium Duty Cavity Wall Tie



DESCRIPTION

Medium duty cavity wall tie

FEATURES

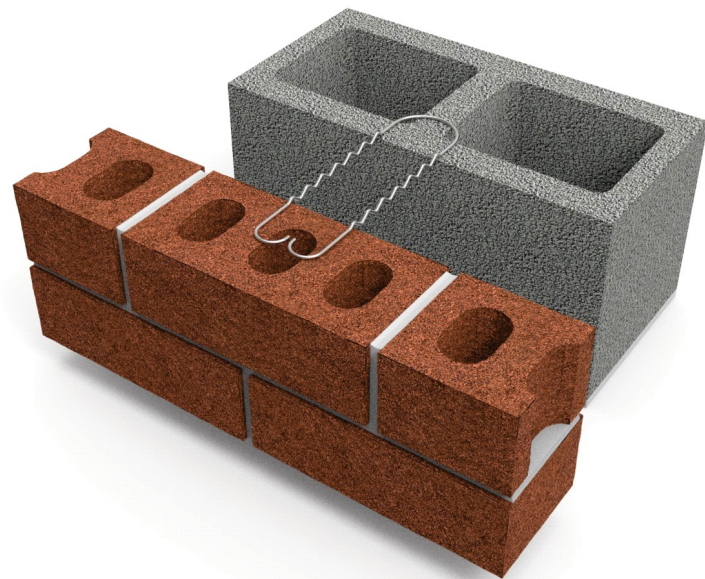
- Clay brick / clay brick or clay brick / block work
- Maximum cavity 120mm
- Universal applications
- Australian design & tested AS/NZS 2699.2:2020

SIZES

Standard Sizes : 230mm

CORROSION CHARACTERISTICS

Stainless steel 316L (R4)
Conforms to corrosion resistance set by AS/NZS 2699.2:2020 / AS 3700.



ORDERING INFORMATION

When ordering please supply use with the part number and quantity you require

FIX-120

PRODUCT CODE

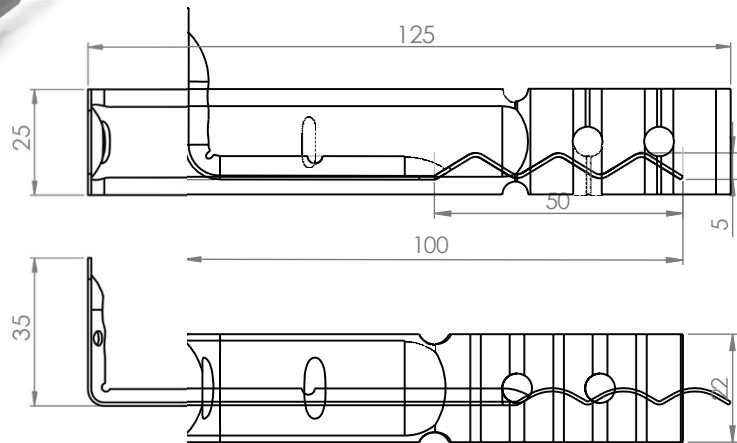
Datasheet





PRODUCT CODE: CGT12-MD-FF
PUBLICATION DATE: Jun 2022 v1.01

Medium Duty Fast Fix Veneer Wall Tie



DESCRIPTION

Medium duty fast fix veneer wall tie.

Save installation time with the pre installed multi purpose screw for timer and metal framing.
Supplied with the extra long reach driver bit to make installation easy as well as fast

FEATURES

- Clay brick
- Maximum cavity 50mm
- **Fast installation** due to the pre installed Cerra multi purpose screw
- **Easy installation** due to the included long reach driver
- Universal applications
- Australian design & tested AS/NZS 2699.2:2020

FIXING REQUIREMENTS

- Pre installed Cerra multi purpose screw for metal and timber framing

CORROSION CHARACTERISTICS

STUBI-FF

Hot dipped galvanising (R3)

Conforms to corrosion resistance set by AS/NZS 2699.2:2020 / AS 3700.

CERRA MULTI PURPOSE SCREW

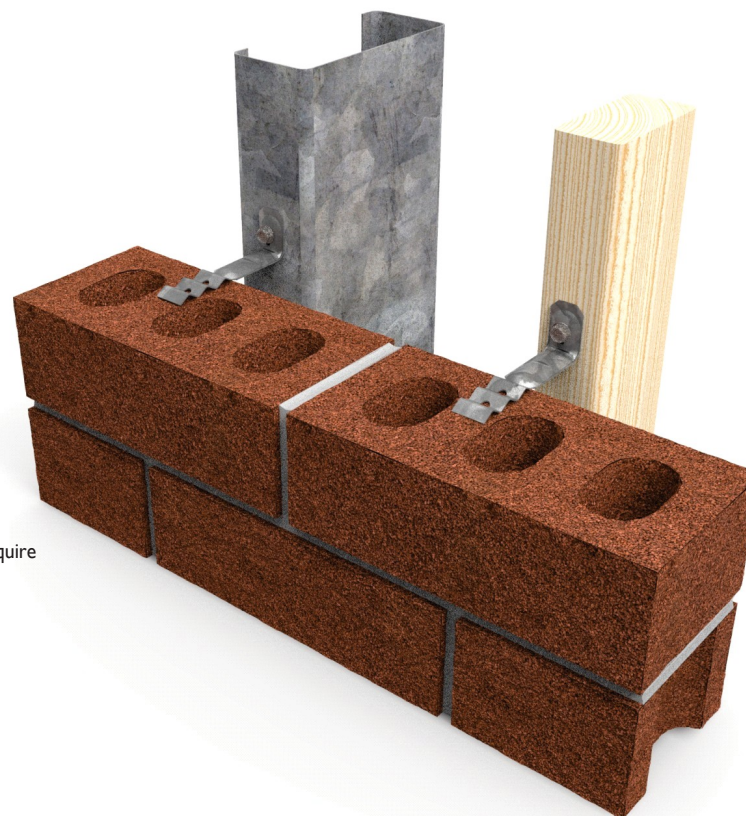
10g x 30mm (R2) Z600

ORDERING INFORMATION

When ordering please supply use with the part number and quantity you require

STUBI-FF

PRODUCT CODE



ROGERS

CONSTRUCTION SUPPLIES



07 3823 2316

SALES@ROGERSCS.COM.AU

2/19 HOOK ST, CAPALABA 4157