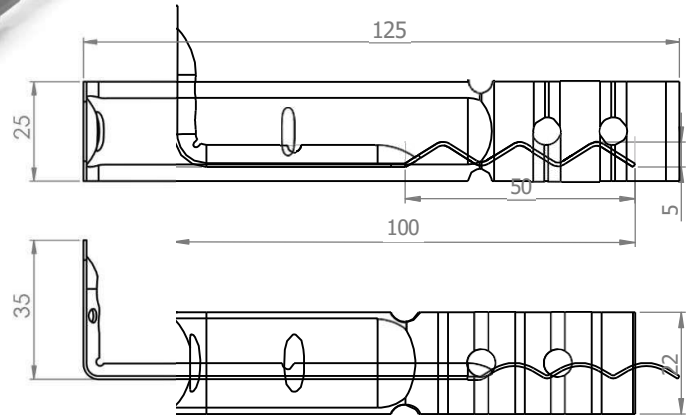


PRODUCT CODE: CGT12-MD-FF  
 PUBLICATION DATE: Jun 2022 v1.01

## Medium Duty Fast Fix Veneer Wall Tie



### DESCRIPTION

Medium duty fast fix veneer wall tie.  
 Save installation time with the pre installed multi purpose screw for timber and metal framing.  
 Supplied with the extra long driver bit to make installation easy as well as fast

### FEATURES

- Clay brick
- Maximum cavity 50mm
- **Fast installation** due to the pre installed Cerra multi purpose screw
- **Easy installation** due to the included long reach driver
- Universal applications
- Australian design & tested AS/NZS 2699.2:2020

### FIXING REQUIREMENTS

- Pre installed Cerra multi purpose screw for metal and timber framing

### CORROSION CHARACTERISTICS

**STUBI-FF**  
 Hot dipped galvanising (R3)  
 Conforms to corrosion resistance set by AS/NZS 2699.2:2020 / AS 3700.

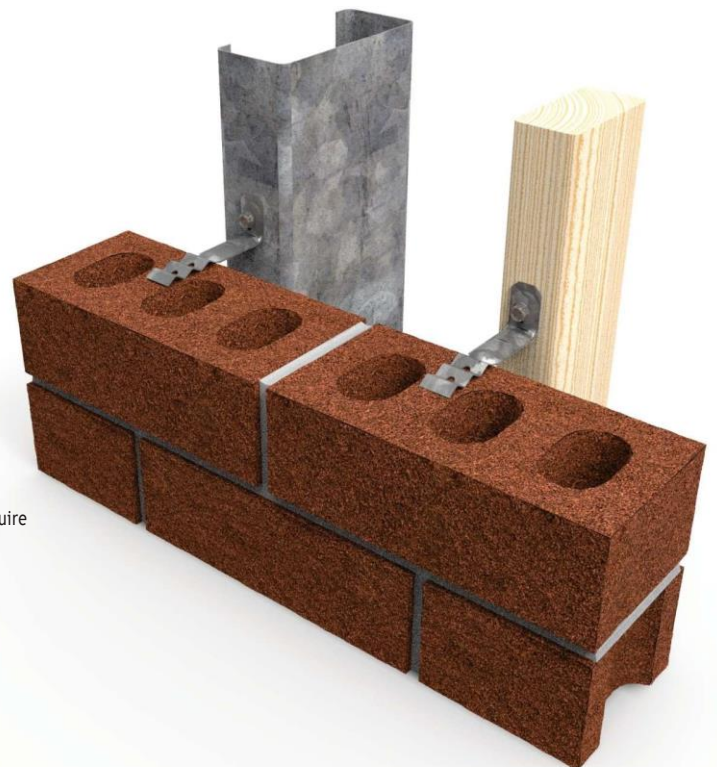
**CERRA MULTI PURPOSE SCREW**  
 10g x 30mm (R2) Z600

### ORDERING INFORMATION

When ordering please supply use with the part number and quantity you require

**STUBI-FF**

PRODUCT CODE



Datasheet



FOR SALES ENQUIRIES, PLEASE CONTACT ROGERS CS (QLD) OR SALES@ROGERSCS.COM.AU

UNIT 2, 19 HOOK STREET, CAPALABA QLD 4157 | T: 07 3823 2316 | HTTPS://ROGERSCS.COM.AU