

The logo features a stylized letter 'S' in a light green color, enclosed within a black-outlined shape that resembles a mountain peak or a shield.

swagman®



WE ARE ENABLERS OF FUN

We believe that true fun is found in the outdoors.
Our mission is to enable that fun through
thoughtful product design aimed to help you
bring your gear on your next adventure.



CONTENTS

5 - Ebike Racks

12 - Platform Racks

24 - RV Racks

40 - Cargo Management

44 - Winter Sports

50 - Roof Racks

58 - Pick Up Racks

65 - Water Sports

69 - Bike Storage

78 - Bike Packing

89 - Tools

95 - Accessories

105 - POP



Learn with Swagman Resources

4 - How to Choose a Bike Rack

23 - How to Choose a Hitch Rack for your Car, Truck, or SUV

25 - How to Choose a Bike Rack for Your Trailer, RV, or Fifth-wheel

51 - How to Choose a Roof Rack

104 - Replacement Keys

Get Inspired with the Swagman Journal

41 - Is This the Greatest Mountain Town?



How To Choose a Bike Rack



Are you looking for a bike rack for your car, truck, crossover, or SUV, but have no idea where to begin? We don't blame you! There's no shortage of options to get your bike from point A to point B. With this guide, we'll help you learn the differences between the various mounting locations of bike racks, as well as the different kinds of bike racks themselves.

READ MORE ►

SCAN ME



CLICK ME

EBIKE RACKS



escapee pro

EBIKE RACK

CARRIES: 1 OR 2 BIKES

FITS: 2" HITCH RECEIVER

MAX LOAD: 80 LBS PER BIKE*

ITEM: 67693



RV APPROVED 

FEATURES:

- External Handle allows for easy tilt and fold function without having to reach through bikes
- Includes new vertical anti-wobble device
- Anchor point on drawbar for using Swagman Sentry hardened steel security chain and u-lock for additional security (not included)
- Compatible with Escapee Pro Add-On #67699 to carry up to 4 bikes.
- Carries 2 bikes up to 80 lbs each (*70 lbs while in use on towable RV's (travel trailers, 5th Wheels)
- Uses locking threaded hitch pin for horizontal anti-wobble
- Compatible with #66694 Ramp and Bridge for easy loading of heavier ebikes
- Fits wheel sizes from 20" up to 29" and up to 5" wide
- Locking ratchet arms help secure bikes to rack
- Not designed for use with front fenders



IMPROVED FRONT WHEEL TRAY TO HOLD ALL TIRE PROFILES/WIDTHS STABLE



TILTS DOWN, WITH BIKES ON TO ALLOW ACCESS TO REAR OF VEHICLE



FOLDS UP AGAINST YOUR VEHICLE WHILE NOT IN USE

skaha 2 pro

EBIKE RACK

CARRIES: 1 OR 2 BIKES

FITS: 1-1/4" & 2" HITCH RECEIVER

MAX LOAD: 60 LBS PER BIKE

ITEM: 67686



FEATURES:

- External handle allows for easy tilt and fold function without having to reach through bikes
- Includes new vertical anti-wobble device
- Improved front wheel tray to hold all tire profiles/widths stable
- Anchor point on drawbar for using Swagman Sentry hardened steel security chain and u-lock for additional security (not included)
- Carries 2 bikes up to 60 lbs each
- Includes locking threaded hitch pin for horizontal anti-wobble
- Fits wheel sizes from 20" up to 29" and up to 5" wide
- Locking ratchet hooks help secure bikes to rack
- Compatible with #66694 Ramp and Bridge for easy loading of heavier ebikes
- Not designed for use with front fenders
- Tilts down, with bikes on to allow access to rear of vehicle



TILTS DOWN, WITH BIKES ON TO ALLOW ACCESS TO REAR OF VEHICLE



ANCHOR POINT ON DRAWBAR FOR ADDED SECURITY



FOLDS UP AGAINST YOUR VEHICLE WHILE NOT IN USE

ramp and bridge

FOR SKAHA 2 SERIES, SKAHA 2 PRO SERIES, ESCAPEE & ESCAPEE PRO SERIES

ACCESSORIES

FITS: SKAHA 2 SERIES, SKAHA 2 PRO SERIES, ESCAPEE & ESCAPEE PRO SERIES

ITEM: 66694

FEATURES:

- Allows heavy or hard-to-maneuver bikes to be rolled into compatible bike racks for easier loading and unloading
- Easily attaches and detaches in seconds for quick loading and unloading
- Ramp telescopes down to 34.5" when collapsed
- Bridge nests onto ramp for easy storage
- Ramp extends to 54.5" when fully extended



RAMP & BRIDGE COLLAPSES AND NESTS FOR EASY STORAGE AND TRANSPORT



RAMP EXTENDS TO 54.5" FOR EASY LOADING ANGLES



BRIDGE ALLOWS BIKE TO ROLL EASILY BETWEEN WHEEL TRAYS

e-spec pro

EBIKE RACK

CARRIES: 1 OR 2 BIKES

FITS: 2" HITCH RECEIVER

MAX LOAD: 80 LBS PER BIKE*

ITEM: 67689



RV APPROVED 

FEATURES:

- External handle allows for easy tilt and fold function without having to reach through bikes
- Includes new vertical anti-wobble device
- Anchor point on drawbar for using Swagman Sentry hardened steel security chain and u-lock for additional security (not included)
- Carries 2 bikes up to 80 lbs each (*70lbs while being used with Towable RV's (Travel Trailers and 5th Wheels)
- Uses locking threaded hitch pin for horizontal anti-wobble
- Locking ratchet hooks help secure bikes to rack
- Compatible with #66690 Ramp and Bridge for easy loading of heavier ebikes
- RV Approved for use on Travel Trailers and 5th Wheel Trailers



FITS TIRE WIDTHS UP TO 5" WIDE



TILTS DOWN, WITH BIKES ON TO ALLOW ACCESS TO REAR OF VEHICLE



FOLDS UP AGAINST YOUR VEHICLE WHILE NOT IN USE

current pro

EBIKE RACK

CARRIES: 1 OR 2 BIKES

FITS: 1-1/4" & 2" HITCH RECEIVER

MAX LOAD: 60 LBS PER BIKE

ITEM: 67678



FEATURES:

- External handle allows for easy tilt and fold function without having to reach through bikes
- Includes new vertical anti-wobble device
- Anchor point on drawbar for using Swagman Sentry hardened steel security chain and u-lock for additional security (not included)
- Carries 2 bikes up to 60 lbs each
- Fits 1-1/4" and 2" receivers
- Includes locking threaded hitch pin for horizontal anti-wobble
- Locking ratchet hooks help secure bikes to rack
- Compatible with #66690 Ramp and Bridge for easy loading of heavier ebikes



FITS TIRE WIDTHS UP TO 5" WIDE



TILTS DOWN, WITH BIKES ON TO ALLOW ACCESS TO REAR OF VEHICLE



FOLDS UP AGAINST YOUR VEHICLE WHILE NOT IN USE



ramp and bridge

FOR E-SPEC, CURRENT, G10, E-SPEC PRO & CURRENT PRO

ACCESSORIES

FITS: E-SPEC, CURRENT, G10,
E-SPEC PRO & CURRENT PRO

ITEM: 66690

FEATURES:

- Allows heavy or hard-to-maneuver bikes to be rolled into compatible bike racks for easier loading and unloading
- Easily attaches and detaches in seconds for quick loading and unloading
- Ramp telescopes down to 37.5" when collapsed
- Bridge nests onto ramp for easy storage
- Ramp extends to 57.5" when fully extended



RAMP & BRIDGE COLLAPSES AND NESTS FOR EASY STORAGE AND TRANSPORT



RAMP EXTENDS TO 57.5" FOR EASY LOADING ANGLES



BRIDGE ALLOWS BIKE TO ROLL EASILY BETWEEN WHEEL TRAYS

PLATFORM RACKS



escapee pro

EBIKE RACK

CARRIES: 1 OR 2 BIKES

FITS: 2" HITCH RECEIVER

MAX LOAD: 80 LBS PER BIKE*

ITEM: 67693



RV APPROVED 

FEATURES:

- External Handle allows for easy tilt and fold function without having to reach through bikes
- Includes new vertical anti-wobble device
- Anchor point on drawbar for using Swagman Sentry hardened steel security chain and u-lock for additional security (not included)
- Compatible with Escapee Pro Add-On #67699 to carry up to 4 bikes.
- Carries 2 bikes up to 80 lbs each (*70 lbs while in use on towable RV's (travel trailers, 5th Wheels)
- Uses locking threaded hitch pin for horizontal anti-wobble
- Compatible with #66694 Ramp and Bridge for easy loading of heavier ebikes
- Fits wheel sizes from 20" up to 29" and up to 5" wide
- Locking ratchet arms help secure bikes to rack
- Not designed for use with front fenders



IMPROVED FRONT WHEEL TRAY TO HOLD ALL TIRE PROFILES/WIDTHS STABLE



TILTS DOWN, WITH BIKES ON TO ALLOW ACCESS TO REAR OF VEHICLE



FOLDS UP AGAINST YOUR VEHICLE WHILE NOT IN USE

escapee pro add-on

EBIKE RACK

CARRIES: 1 OR 2 BIKES

FITS: 67693

MAX LOAD: 45 LBS PER BIKE

ITEM: 67699



FEATURES:

- Compatible with Escapee Pro #67693, external handle can be transferred to the end of the 67699 Escapee Pro Add-On easily (all parts included)
- External handle allows for easy tilt and fold function
- When attached to the Escapee Pro #67693 the weight capacity becomes 4 bikes weighing up to 45 lbs each
- Uses locking threaded hitch pin for horizontal anti-wobble
- Fits wheel sizes from 20" up to 29" and up to 5" wide.
- Locking ratchet hooks help secure bikes to rack
- Not designed for use with front fenders
- Compatible with #66694 Ramp and Bridge
- Tilts down, with bikes on to allow access to rear of vehicle.



IMPROVED FRONT WHEEL TRAY TO HOLD ALL TIRE PROFILES/WIDTHS STABLE



FOLDS UP AGAINST YOUR VEHICLE WHILE NOT IN USE

skaha 2 pro

EBIKE RACK

CARRIES: 1 OR 2 BIKES

FITS: 1-1/4" & 2" HITCH RECEIVER

MAX LOAD: 60 LBS PER BIKE

ITEM: 67686



FEATURES:

- External handle allows for easy tilt and fold function without having to reach through bikes
- Includes new vertical anti-wobble device
- Improved front wheel tray to hold all tire profiles/widths stable
- Anchor point on drawbar for using Swagman Sentry hardened steel security chain and u-lock for additional security (not included)
- Carries 2 bikes up to 60 lbs each
- Includes locking threaded hitch pin for horizontal anti-wobble
- Fits wheel sizes from 20" up to 29" and up to 5" wide
- Locking ratchet hooks help secure bikes to rack
- Compatible with #66694 Ramp and Bridge for easy loading of heavier ebikes
- Not designed for use with front fenders
- Tilts down, with bikes on to allow access to rear of vehicle



TILTS DOWN, WITH BIKES ON TO ALLOW ACCESS TO REAR OF VEHICLE



ANCHOR POINT ON DRAWBAR FOR ADDED SECURITY



FOLDS UP AGAINST YOUR VEHICLE WHILE NOT IN USE

e-spec pro

EBIKE RACK

CARRIES: 1 OR 2 BIKES

FITS: 2" HITCH RECEIVER

MAX LOAD: 80 LBS PER BIKE*

ITEM: 67689



RV APPROVED 

FEATURES:

- External handle allows for easy tilt and fold function without having to reach through bikes
- Includes new vertical anti-wobble device
- Anchor point on drawbar for using Swagman Sentry hardened steel security chain and u-lock for additional security (not included)
- Carries 2 bikes up to 80 lbs each (*70lbs while being used with Towable RV's (Travel Trailers and 5th Wheels)
- Uses locking threaded hitch pin for horizontal anti-wobble
- Locking ratchet hooks help secure bikes to rack
- Compatible with #66690 Ramp and Bridge for easy loading of heavier ebikes
- RV Approved for use on Travel Trailers and 5th Wheel Trailers



FITS TIRE WIDTHS UP TO 5" WIDE



TILTS DOWN, WITH BIKES ON TO ALLOW ACCESS TO REAR OF VEHICLE



FOLDS UP AGAINST YOUR VEHICLE WHILE NOT IN USE

current pro

EBIKE RACK

CARRIES: 1 OR 2 BIKES

FITS: 1-1/4" & 2" HITCH RECEIVER

MAX LOAD: 60 LBS PER BIKE

ITEM: 67678



FEATURES:

- External handle allows for easy tilt and fold function without having to reach through bikes
- Includes new vertical anti-wobble device
- Anchor point on drawbar for using Swagman Sentry hardened steel security chain and u-lock for additional security (not included)
- Carries 2 bikes up to 60 lbs each
- Fits 1-1/4" and 2" receivers
- Includes locking threaded hitch pin for horizontal anti-wobble
- Locking ratchet hooks help secure bikes to rack
- Compatible with #66690 Ramp and Bridge for easy loading of heavier ebikes



FITS TIRE WIDTHS UP TO 5" WIDE



TILTS DOWN, WITH BIKES ON TO ALLOW ACCESS TO REAR OF VEHICLE



FOLDS UP AGAINST YOUR VEHICLE WHILE NOT IN USE



chinook

PLATFORM RACK

CARRIES: 1 OR 2 BIKES

FITS: 1-1/4" & 2" HITCH RECEIVER

MAX LOAD: 45 LBS PER BIKE

ITEM: 64683

FEATURES:

- Fits most frame sizes, shapes and styles
- Rack folds up against the rear of vehicle when not in use
- Rack tilts away from vehicle even with bikes loaded
- Locking ratcheting arms help to prevent bike theft
- Locking hitch pin included
- Fat Tire Trays available sold separately (#64694)



RATCHETING WHEEL STRAPS HOLD WHEELS FIRMLY IN PLACE



CENTER ARM FOLDS DOWN WHEN NOT IN USE



FAT TIRE TRAYS AVAILABLE SOLD SEPARATELY (#64694)

quad 2+2

PLATFORM RACK

CARRIES: 1, 2, 3 OR 4 BIKES

FITS: 2" HITCH RECEIVER

MAX LOAD: 45 LBS PER BIKE

ITEM: 66692

FEATURES:

- Ratcheting wheel straps hold bikes firmly in place
- Transforms from 2-bike to 4-bike carrier in seconds
- Rack folds up against the vehicle when not in use
- Locking ratcheting arms help to prevent bike theft
- Locking hitch pin included
- Fat tire trays sold separately (#64694)



RATCHETING WHEEL STRAPS HOLD WHEELS FIRMLY IN PLACE



LOCKING ADJUSTABLE HOOKS SECURE BIKE FRAME TO RACK



THE FRONT-HALF OF THE QUAD IS COMPATIBLE WITH THE EXPANSE CARGO TRAY WHEN USING THE CONNECTOR BAR (#80515 & #80516 SOLD SEPARATELY)

XTC2 TILT

PLATFORM RACK

CARRIES: 1 OR 2 BIKES

FITS: 1-1/4" & 2" HITCH RECEIVER

MAX LOAD: 35 LBS PER BIKE

ITEM: 64671

FEATURES:

- Tilts down to allow access to the rear of the vehicle
- Ratchet hooks have soft-frame friendly coating to protect bike's finish
- Fits most frame sizes, shapes and styles
- Fits 20"-29" wheel sizes up to 2.5" wide
- Locking threaded hitch pin and 7.5 ft. long security cable (#64031) sold separately



TILTS DOWN TO ALLOW ACCESS TO THE REAR OF THE VEHICLE



RACK FOLDS UP FOR EASY STORAGE



FRAME FRIENDLY HOOKS HOLD BIKES SECURELY IN PLACE

XTC4

PLATFORM RACK

CARRIES: 1, 2, 3 OR 4 BIKES

FITS: 2" HITCH RECEIVER

MAX LOAD: 35 LBS PER BIKE

ITEM: 64665

FEATURES:

- Locking threaded hitch pin and 8 foot long security cable included
- Frame friendly ratchet hooks easily adjust to different bike frame sizes
- Center arm folds down to allow access to the rear of vehicle without removing the rack
- Powder coated for added rust protection
- Rack folds up when not in use



FITS 20" – 29" WHEEL SIZES UP TO 2.5" WIDE



FRAME FRIENDLY HOOKS HOLD BIKES SECURELY IN PLACE



LOCKING HITCH PIN AND 8 FT. LONG SECURITY CABLE INCLUDED

XTC2

PLATFORM RACK

CARRIES: 1 OR 2 BIKES

FITS: 1-1/4" & 2" HITCH RECEIVER

MAX LOAD: 35 LBS PER BIKE

ITEM: 64670

FEATURES:

- Frame friendly ratchet hooks easily adjust to different bike frame sizes
- Center arm folds down to allow access to the rear of vehicle without removing the rack
- Powder coated for added rust protection
- Locking threaded hitch pin and 7.5 ft. long security cable (#64031) sold separately



RACK FOLDS UP FOR EASY STORAGE



FITS 20"-29" WHEEL SIZES UP TO 2.5" WIDE



FRAME FRIENDLY HOOKS HOLD BIKES SECURELY IN PLACE

How to Choose the Best Hitch Mount Bike Rack for Your Car, Truck, Crossover, or SUV



If you've read our 'How to Choose a Bike Rack' post and have decided on a hitch rack, we can help!

Here's what you need to consider before purchasing a Swagman Hitch Mount Bike Rack.

READ MORE ►



SCAN ME

CLICK ME

RV RACKS



How to Choose the Best Bike Rack for your Travel Trailer, RV, Motorhome, or Fifth Wheel



Are you looking for an RV-approved rack for your travel trailer, fifth-wheel (5th Wheel) or RV? Swagman can help!

We make a variety of bike racks designed for use on travel trailers, RVs, motorhomes and fifth wheels that can

READ MORE ►

SCAN ME



CLICK ME

escapee pro

EBIKE RACK

CARRIES: 1 OR 2 BIKES

FITS: 2" HITCH RECEIVER

MAX LOAD: 80 LBS PER BIKE*

ITEM: 67693



RV APPROVED 

FEATURES:

- External Handle allows for easy tilt and fold function without having to reach through bikes
- Includes new vertical anti-wobble device
- Anchor point on drawbar for using Swagman Sentry hardened steel security chain and u-lock for additional security (not included)
- Compatible with Escapee Pro Add-On #67699
- Carries 2 bikes up to 80 lbs each (*70 lbs while in use on towable RV's (travel trailers, 5th Wheels)
- Uses locking threaded hitch pin for horizontal anti-wobble
- Compatible with #66694 Ramp and Bridge for easy loading of heavier ebikes
- Fits wheel sizes from 20" up to 29" and up to 5" wide
- Locking ratchet arms help secure bikes to rack
- Not designed for use with front fenders



IMPROVED FRONT WHEEL TRAY TO HOLD ALL TIRE PROFILES/WIDTHS STABLE



TILTS DOWN, WITH BIKES ON TO ALLOW ACCESS TO REAR OF VEHICLE



FOLDS UP AGAINST YOUR VEHICLE WHILE NOT IN USE

e-spec pro

EBIKE RACK

CARRIES: 1 OR 2 BIKES

FITS: 2" HITCH RECEIVER

MAX LOAD: 80 LBS PER BIKE*

ITEM: 67689



RV APPROVED 

FEATURES:

- External handle allows for easy tilt and fold function without having to reach through bikes
- Includes new vertical anti-wobble device
- Anchor point on drawbar for using Swagman Sentry hardened steel security chain and u-lock for additional security (not included)
- Carries 2 bikes up to 80 lbs each (*70lbs while being used with Towable RV's (Travel Trailers and 5th Wheels)
- Uses locking threaded hitch pin for horizontal anti-wobble
- Locking ratchet hooks help secure bikes to rack
- Compatible with #66690 Ramp and Bridge for easy loading of heavier ebikes
- RV Approved for use on Travel Trailers and 5th Wheel Trailers



FITS TIRE WIDTHS UP TO 5" WIDE



TILTS DOWN, WITH BIKES ON TO ALLOW ACCESS TO REAR OF VEHICLE



FOLDS UP AGAINST YOUR VEHICLE WHILE NOT IN USE

dispatch

RV RACK

CARRIES: 1 OR 2 BIKES

FITS: 2" HITCH RECEIVER

MAX LOAD: 45 LBS PER BIKE

ITEM: 66684

RV APPROVED 

FEATURES:

- Ratcheting wheel straps hold bikes firmly in place
- Sliding wheel trays adjust to accommodate bikes of different lengths
- Designed for increased ground clearance (7" higher than #64663)
- Cam lever works to easily lower vertical post
- Adjustable hooks secure frame to rack
- Fat tire trays available sold separately (#64694)
- Newly redesigned to allow for the Expanse Cargo Tray (#85015) to be connected as add-on
- Includes extra bolt to allow for use on travel trailers and 5th wheels
- When installed in non RV-approved mode, the rack can be folded up against the rear of a car, truck, or SUV when not in use



LOCKING ADJUSTABLE HOOKS SECURE BIKE FRAME TO RACK



RATCHETING WHEEL STRAPS HOLD WHEELS FIRMLY IN PLACE



WHEN INSTALLED IN NON RV-APPROVED MODE, THE RACK CAN BE FOLDED UP AGAINST THE REAR OF A CAR, TRUCK, OR SUV WHEN NOT IN USE

nomad

RV RACK

CARRIES: 1 OR 2 BIKES

FITS: 2" HITCH RECEIVER

MAX LOAD: 35 LBS PER BIKE

ITEM: 66670

RV APPROVED 

FEATURES:

- Designed for increased ground clearance (6" higher than #64663)
- 3D wheel hoops with wheel straps to hold bike wheels securely
- Ratcheting frame hooks hold most frame types
- Wheel hoop arms fold up for storage when not in use



INCREASED GROUND CLEARANCE



CLAMSHELL DESIGN



ADJUSTABLE HOOPS FIT MOST BIKES

TRAVELER XC2

RV RACK

CARRIES: 1 OR 2 BIKES

FITS: 2" HITCH RECEIVER

MAX LOAD: 35 LBS PER BIKE

ITEM: 64663

RV APPROVED 

FEATURES:

- 2" bumper mount adaptor included
- Rack folds up for easy storage
- Fits into a 2" Class 3 Hitch or mounts to a 4.5" continuous welded steel RV bumper
- Push-button ratchet hooks easily adjusts to secure your bike
- Locking hitch pin and 10 mm security cable sold separately (#64030)



ADJUSTABLE HOOPS FIT A VARIETY OF BIKES



RACK FOLDS UP FOR EASY STORAGE



ADJUSTABLE HOOKS SECURE BIKE FRAME TO RACK

TRAILHEAD 4 RV

RV RACK

CARRIES: 1, 2, 3 OR 4 BIKES

FITS: 2" HITCH RECEIVER

MAX LOAD: 35 LBS PER BIKE

ITEM: 63381

* Total load on the rack cannot exceed 100 lbs

RV APPROVED 

FEATURES:

- Anti-sway cradles prevent bike-to-bike contact
- Arms fold down when not in use
- Ideal for RV's or Motorhomes
- Transports up to 4 bikes
- Deluxe Bar Adapter (#64005) or Cruiser Bar (#63999) sold separately provides horizontal mounting point if bike does not have a horizontal top tube
- Maximum capacity of the rack is 35 lbs per bike (100 lbs total)



FITS 2" RECEIVER



ANTI-SWAY CRADLES PREVENT BIKE-TO-BIKE CONTACT



DUAL ARMS FOLD DOWN FOR CONVENIENT STORAGE

STRATUS

RV RACK

CARRIES: 2 BIKES

FITS: MOST TRAVEL TRAILER "A" FRAMES

MAX LOAD: 50 LBS PER BIKE

ITEM: 80504

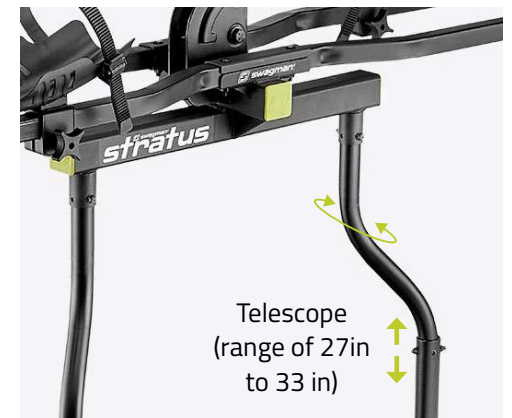
RV APPROVED 

FEATURES:

- Sturdy steel construction
- ED and powder coated for corrosion resistance
- Rack can be raised or lowered for better fit
- Legs articulate to enable ideal fit on most travel trailer frames
- Requires a 1/4" drill bit
- Rack can be raised over propane tanks



FITS MOST TRAVEL TRAILER FRAMES



LEGS TELESCOPE AND ARTICULATE

THE STRADDLER

RV RACK

CARRIES: 2 BIKE CARRIER + 2 BIKES

FITS: MOST TRAVEL TRAILER "A" FRAMES

MAX LOAD: 35 LBS PER BIKE + BIKE RACK*

ITEM: 80503

*(MAX 100 LBS
INCLUDING BIKE RACK)

RV APPROVED 

FEATURES:

- Steel construction
- Receiver can be raised over Propane tanks
- Powder coated to resist corrosion
- Designed to create a 2" receiver on the nose of the travel trailer
- Allows the user to utilize their own hitch mounted bike racks regardless of RV Approved status as the bounce and sway is not as severe on the nose of the trailer



MAXIMUM 2 BIKE CARRIER ACCEPTED



ROTATING AND TELESCOPING FOOT CLAMPS



RECEIVER CAN BE RAISED OVER PROPANE TANKS

ROAMER

RV RACK

CARRIES: 1 OR 2 BIKES

FITS: TENT TRAILERS, TRUCK CANOPIES & TONNEAU COVERS

MAX LOAD: 150 LBS MAX.

INCLUDING RACK

ITEM: 80510

RV APPROVED 

FEATURES:

- Fits tent trailers, truck canopies and tonneau covers*
- 4 steel feet and 2 cross bars included
- Cross bars (84" in length) fit most bikes and watersports accessories
- Mounting hardware included
- Rack Weight: 27 lbs.

(*Please consult the manufacturer of your canopy, tonneau cover or tent trailer for maximum load capacity)



4 STEEL FEET AND 2 CROSS BARS INCLUDED



FITS TENT TRAILERS, TRUCK CANOPIES AND TONNEAU COVERS



MOUNTING HARDWARE INCLUDED

BUMPER ADAPTER

RV RACK

CARRIES: 1 HITCH MOUNT RACK

FITS: 4-4.5" CONTINUOUSLY

WELDED STEEL BUMPERS

ITEM: 64025

RV APPROVED 

*Not to be used for towing or with cargo carriers.
Consult your trailer manufacturer for load rating on bumper.

FEATURES:

- Attaches to an RV bumper to provide a 2" receiver opening
- Solid steel construction
- Easy installation
- Adapter weighs 9 lbs.
- When used with a hitch pin and anti-wobble set screw, the bumper adapter provides a secure way to carry an RV approved hitch bike rack



ATTACHES TO AN RV BUMPER TO PROVIDE A 2" RECEIVER OPENING



ADAPTER PROVIDES A SECURE WAY TO CARRY AN RV APPROVED HITCH BIKE RACK

RV BIKE BAG

RV RACK

CARRIES: COVERS UP TO 2 BIKES

FITS: HITCH MOUNT RACK

ITEM: 82007

RV APPROVED 

FEATURES:

- NEW larger volume
- Made of PU coated Nylon
- Large opening zipper for quick and easy access
- Included cinch straps tighten for a more streamlined fit
- Specially designed for bicycles that are mounted on a platform-style, hitch mounted bike rack
- Only to be used on a RV Motorhome, Travel Trailer or 5th Wheel, not for use on regular vehicles



PROTECT AND HIDE YOUR HIGH VALUE BIKES



INCLUDED CINCH STRAPS TIGHTEN FOR A MORE STREAMLINED FIT



AROUND THE SPARE DELUXE

RV RACK

CARRIES: 1 OR 2 BIKES

FITS: 4-4.5" SQUARE CONTINUOUSLY
WELDED STEEL BUMPERS

MAX LOAD: 30 LBS PER BIKE

ITEM: 80501

RV APPROVED 

FEATURES:

- Anti-sway cradles prevent bike-to-bike contact and secures bike to the rack using durable rubber straps
- Mounts around most spare tires
- Quick-release pins allow the removal of vertical rack arms to allow tool-free easy access to spare tire



ANTI-SWAY CRADLES PREVENT
BIKE-TO-BIKE CONTACT



FITS 4-4.5" SQUARE CONTINUOUSLY
WELDED STEEL BUMPERS

RV BUMPER RACK 2

RV RACK

CARRIES: 1 OR 2 BIKES

FITS: 4" SQUARE RV BUMPER

MAX LOAD: 30 LBS PER BIKE

ITEM: 80605

RV APPROVED 

FEATURES:

- Heavy duty steel construction with a black paint finish and powder-coated to resist corrosion
- Upright bar in the center of the rack gives added support to your bikes while towing
- Simple to use and supports various bike sizes, frames and wheels
- Fits 4" continuously welded steel bumpers



FITS 4" SQUARE RV BUMPER



SUPPORTS VARIOUS BIKE SIZES, FRAMES AND WHEELS

RV BUMPER RACK 4

RV RACK

CARRIES: 1, 2, 3 OR 4 BIKES

FITS: 4" SQUARE RV BUMPER

MAX LOAD: 30 LBS PER BIKE

ITEM: 80600

RV APPROVED 

FEATURES:

- Heavy duty steel construction with a black paint finish and powder-coated to resist corrosion
- Upright bar in the center of the rack gives added support to your bikes while towing
- Simple to use and supports various bike sizes, frames and wheels
- Fits 4" continuously welded steel bumpers



FITS 4" SQUARE RV BUMPER



SUPPORTS VARIOUS BIKE SIZES, FRAMES AND WHEELS

CARGO MANAGEMENT



swivel

RECEIVER

TYPE: SWING-AWAY RECEIVER

FITS: 2" HITCH RECEIVER

MAX CAPACITY: 300 LBS

ITEM: 80525

FEATURES:

- **Swing-Away Receiver:** The Swivel allows any hitch-mounted accessory to be swung away from the rear of the vehicle, providing easy access to the rear doors
- **High Load Capacity:** With a maximum load capacity of 300 lbs, the Swivel is robust enough to handle a variety of heavy accessories
- **Class B RV Compatibility:** Designed to be wide enough for installation on Class B RVs, ensuring versatility and broad application
- **Full Rear Door Access:** The Swivel swings away wide enough to allow the rear doors of the RV to be fully opened, offering convenience and ease of use
- **Flippable Design:** The Swivel can swing in both directions—towards the passenger side or the driver's side—providing flexible access options
- **Enhanced Stability:** Comes with two anti-wobble devices—a threaded hitch pin and a vertical anti-wobble device—to ensure a secure and stable attachment



ROBUST ENOUGH TO CARRY A HIGH LOAD CAPACITY



SWINGS OPEN WIDE ENOUGH TO FULLY OPEN REAR DOOR OF RV



FLIPPABLE DESIGN ALLOWS SWIVEL TO SWING IN BOTH DIRECTIONS

expanse

CARGO TRAY

FITS: 2" HITCH RECEIVER

MAX LOAD: 400 LBS ALONE

100 LBS WITH RACK

200 LBS WHEN USED ON AN RV

OR TRAILER

ITEM: 80515

RV APPROVED 

FEATURES:

- Maximum load of 400 lbs when used alone
- Capacity of 100 lbs when combined with bike rack (hardware sold separately)
- Capacity of 200 lbs when installed on an RV or trailer
- Use with Quad 2+2 Front Half, Dispatch, Semi 4.0 Front Half, Skaha 2 Plus, & Escapee



INTERCHANGEABLE DRAWBAR TO CONNECT WITH BIKE RACK (#80516)



SHOWN CONNECTED WITH THE DISPATCH 2-BIKE RACK (#66684)



REINFORCED CORNERS AND HEAVY-DUTY CONSTRUCTION

Is This The Greatest Mountain Town?



"I came here for the mountains and I stayed for the cheap rent."

That's Randy Pruden, Trail Boss at the [REDACTED] bike park, who I caught while he was out working tirelessly on maintaining the trails after the long-weekend rush...

READ MORE ►

SCAN ME



CLICK ME

WINTER SPORTS



squall 4

SKI RACK

CARRIES: UP TO 4 PAIRS OF SKIS
(20 INCHES OF SPACE)

FITS: MOST OEM &
AFTERMARKET CROSSBARS TO A
MAXIMUM WIDTH OF 5 INCHES

ITEM: 45100

FEATURES:

- 20 3/4" internal wide ski rack fits up to 4 pairs of skis
- Installs onto round, oval or square bars
- Spring loaded arms open quickly and easily with red release buttons
- Rubber coated arms safely and securely clamp skis or snowboards into rack without damaging them
- Release lever can be locked for ski and snowboard security



QUICK AND EASY TO OPEN WITH RED
RELEASE BUTTONS



INSTALLS ONTO ROUND, OVAL OR
SQUARE BARS

squall 6

SKI RACK

CARRIES: UP TO 6 PAIRS OF SKIS
(28 INCHES OF SPACE)

FITS: MOST OEM &
AFTERMARKET CROSSBARS TO A
MAXIMUM WIDTH OF 5 INCHES

ITEM: 45105

FEATURES:

- 29 3/4" internal wide ski rack fits up to 6 pairs of skis
- Installs onto round, oval or square bars
- Spring loaded arms open quickly and easily with red release buttons
- Rubber coated arms safely and securely clamp skis or snowboards into rack without damaging them
- Release lever can be locked for ski and snowboard security



QUICK AND EASY TO OPEN WITH RED RELEASE BUTTONS



RUBBER COATED ARMS

cariboo

CARGO BOX

CARRIES: GOLF CLUBS & MORE

VOLUME: 13 CU FT.

MAX LOAD: 150 LB. OR MAX

CAPACITY OF ROOF BARS (WHICH
EVER IS LOWER)

ITEM: 45110

FEATURES:

- 59.5"L x 27"W x 14"H
- Aerodynamic design minimizes fuel economy impact
- Durable impact-resistant polycarbonate shell
- Dual hinge design allows access to cargo box from either side of vehicle
- Cargo box locks for security
- Tool-free clamps secure cargo box to round, oval or square crossbars
- Spacing between crossbars must be between 27" to 37"

AVAILABLE IN CANADA ONLY



LOCKING AND OPENING ON BOTH SIDES



EASY TO INSTALL CROSSBAR CLAMPS,
ROTATE THE KNOBS TO CLOSE THE
CLAMPS AROUND THE CROSSBARS



CROSSBAR CLAMPS OPEN TO A
MAXIMUM OF 3 ¼ INCHES

purcell

CARGO BOX

CARRIES: SKIS, SNOWBOARDS & MORE

VOLUME: 15 CU FT.

MAX LOAD: 200 LBS OR MAX CAPACITY OF ROOF BARS (WHICH EVER IS LOWER)

ITEM: 45115

FEATURES:

- 78.5"L x 29.5"W x 11.5"H
- Aerodynamic design minimizes fuel economy impact
- Durable impact-resistant polycarbonate shell
- Dual hinge design allows access to cargo box from either side of vehicle
- Cargo box locks for security
- Tool-free clamps secure cargo box to round, oval or square crossbars
- Spacing between crossbars must be between 20" to 38"

AVAILABLE IN CANADA ONLY



LOCKING AND OPENING ON BOTH SIDES



EASY TO INSTALL CROSSBAR CLAMPS, ROTATE THE KNOBS TO CLOSE THE CLAMPS AROUND THE CROSSBARS



CROSSBAR CLAMPS OPEN TO A MAXIMUM OF 3 1/4 INCHES

monashee

CARGO BOX

CARRIES: SKIS, SNOWBOARDS
AND A LOT MORE

VOLUME: 24 CU FT.

MAX LOAD: 200 LBS OR MAX
CAPACITY OF ROOF BARS
(WHICH EVER IS LOWER)

ITEM: 45120

FEATURES:

- 92"L x 34.5"W x 13.25"H
- Aerodynamic design minimizes fuel economy impact
- Durable impact-resistant polycarbonate shell
- Dual hinge design allows access to cargo box from either side of vehicle
- Cargo box locks for security
- Tool-free clamps secure cargo box to round, oval or square crossbars
- Spacing between crossbars must be between 20" to 38"

AVAILABLE IN CANADA ONLY



LOCKING AND OPENING ON BOTH SIDES



EASY TO INSTALL CROSSBAR CLAMPS,
ROTATE THE KNOBS TO CLOSE THE
CLAMPS AROUND THE CROSSBARS



CROSSBAR CLAMPS OPEN TO A
MAXIMUM OF 3 1/4 INCHES

ROOF RACKS



How to Choose the Best Roof Mount Bike Rack for your Vehicle



If you've read our 'How to Choose the Best Bike Rack for your Car, Truck or SUV' post and have decided on a roof rack, we can help!

Here's what you need to know before purchasing the best Swagman Roof Rack to carry your bike on your vehicle.

READ MORE ►

SCAN ME



CLICK ME



ROOF RACK

CARRIES: 1 BIKE

FITS: ROUND, SQUARE AND UP TO 3.5" OVAL CROSS BARS

MAX LOAD: 45 LBS PER BIKE

ITEM: 64705

FEATURES:

- Locking ratchet hook holds the front wheel
- Ratchet arm folds down when not in use
- Fits all wheels 24" and up, plus up to 5" wide tires
- Additional 70mm bolts included to fit larger diameter cross bars
- Rear wheel ratchet strap holds wheel for added security
- Ratchet arm can be changed from passenger to driver's side for ease of use



RATCHET STRAPS FIRMLY HOLD WHEELS



LOCKING RATCHET ARM GRABS THE WHEEL



RATCHET ARM FOLDS DOWN WHEN NOT IN USE

enforcer

ROOF RACK

CARRIES: 1 BIKE

FITS: UPRIGHT ROOF MOUNT

MAX LOAD: 45 LBS PER BIKE

ITEM: 64704

FEATURES:

- Integrated locking 9 mm fork mount
- Adjustable wheelbase fits most bike lengths
- Universal mount fits most round, square and oval 3.5" cross bars
- Ratchet strap secures rear wheel
- Fits most disc brakes
- Tool free installation and removal
- Fits up to 4" wide tires
- Adaptor cores sold separately;
 - 15mm x 100mm older MTB (#64717)
 - 15mm x 110mm "Boost" MTB (#64719)
 - 12mm x 100mm Road/CX (#64718)
 - 20mm x 110mm DH/MTB (#64715)



RATCHET STRAP SECURES REAR WHEEL



INTEGRATED LOCKING 9 MM FORK MOUNT



UNIVERSAL MOUNT FITS MOST ROUND, SQUARE AND OVAL 3.5" CROSS BARS

UPRIGHT ROOF RACK

ROOF RACK

CARRIES: 1 BIKE

FITS: MOST SQUARE, ROUND AND OVAL BARS UP TO 3" WIDE

MAX LOAD: 35 LBS PER BIKE

ITEM: 64720

FEATURES:

- Carries one bike, no wheel removal necessary
- Upright arm connects to down tube
- Versatile and lockable
- Tie-down straps for wheels included



UPRIGHT ARM CONNECTS TO DOWN TUBE



INCLUDES LOCKING BIKE CLAMP



TIE-DOWN STRAPS FOR WHEELS INCLUDED

STANDARD ROOF RACK

ROOF RACK

CARRIES: 1 BIKE

FITS: UPRIGHT ROOF MOUNT

MAX LOAD: 35 LBS PER BIKE

ITEM: 64710

FEATURES:

- Fits most square, round and oval bars up to 3" wide
- Front fork mounts to 9mm skewer
- 9 mm skewer attaches to front fork of bicycle once the front wheel is removed
- Quick-release and tie-down straps for wheels are included
- 9 mm locking quick release skewer sold separately (#64709)
- Spire thru axle adaptor sold separately (#64706)



FRONT FORK MOUNTS TO 9MM SKEWER



FRONT FORK OF BICYCLE ONCE THE FRONT WHEEL IS REMOVED



TIE-DOWN STRAPS FOR WHEELS ARE INCLUDED



SPIRE

ADAPTOR

CARRIES: 1 BIKE

FITS: FORK ROOF MOUNT

MAX LOAD: 45 LBS PER BIKE

ITEM: 64706

FEATURES:

- Full aluminum one piece design
- Attaches to fork-mount quick-release skewers
- Fits 15 and 20 mm thru axles
- Includes aluminum adaptors to fit 15x100 and 20x100 mm axles
- Additional fork adaptors sold separately: 15 x 110 Boost (#64708), 12 x 100 (#64711)



UPGRADE YOUR EXISTING 9MM QR FORK MOUNT TO ACCEPT THRU AXLES



INCLUDES ALUMINUM ADAPTORS TO FIT 15 AND 20 MM AXLES

ADAPTOR CORES

ADAPTOR

For use in Impakt, Patrol & Enforcer models

FITS: ADAPTOR
20 MM X 110 MM
ITEM: 64715



FITS: FAT BIKE
ADAPTOR
15 MM X 150 MM
ITEM: 64716



FITS: MOUNTAIN
BIKE ADAPTER
15 MM X 100 MM
ITEM: 64717



FITS: ROAD/
CYCLOCROSS DISC
ADAPTOR
12 MM X 100 MM
ITEM: 64718



FITS: BOOST 110
ADAPTOR
15 MM X 110 MM
ITEM: 64719



PICK UP RACKS



PATROL

PICK UP RACK

CARRIES: 1 OR 2 BIKES

FITS: PICK UP TRUCKS WITH BOX WIDTHS 45" – 68"

MAX LOAD: 45 LBS PER BIKE

ITEM: 64701

FEATURES:

- Easy and secure fork mount
- Fits nearly all standard 9mm quick release equipped bikes, as well as 12x100mm and 15x110mm (boost) with included adaptors. Additional adaptors sold separately.
- Locking cam lever for easy secure fit
- Locking micro-adjust wheel for final fit against truck box walls
- Comes with 3 keys, keyed alike to fit all 4 locks (cam lever, adjust wheel & both fork mounts)
- The telescoping bar expands to fit many truck box widths
- Extra fork mount available sold separately (#66703 Impakt)
- Adaptor cores sold separately – see page 49



LOCKING 9 MM QUICK RELEASE INCLUDED



EASY AND SECURE FORK MOUNT



THE TELESCOPING BAR EXPANDS TO FIT MANY TRUCK BOX WIDTHS

PICK UP

PICK UP RACK

CARRIES: 1 OR 2 BIKES

FITS: PICK UP TRUCKS BOX

WIDTHS 54" – 62"

MAX LOAD: 45 LBS PER BIKE

ITEM: 64702

FEATURES:

- Mounts across top of truck bed
- Integrated lock secures rack to truck bed
- Adjusts to most sizes of truck beds
- Length: 54" – 62"
- Extra bike holders available (#P484)
- Standard 9 mm quick release only
- Spire (#64706) can be used to accept thru axles
- Replacement keys available
- For broader fork mount options, please consider the Patrol



9 MM QUICK RELEASE HOLDS BIKE BY FORK MOUNTS



INTEGRATED LOCK SECURES RACK TO TRUCK BED

IMPAKT

PICK UP RACK

CARRIES: 1 BIKE

FITS: PATROL, PICK UP TRACK
RAIL SYSTEMS

MAX LOAD: 45 LBS PER BIKE

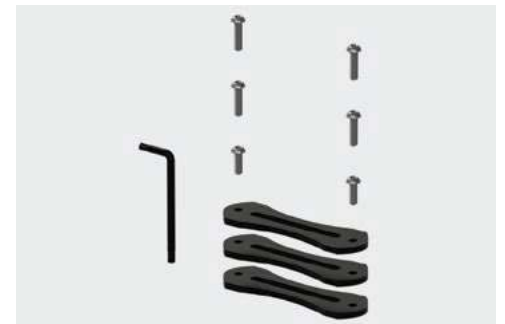
ITEM: 66703

FEATURES:

- Full cast aluminum one piece design
- Includes adaptors to fit 9mm, 12mm x 100mm, and 15mm x 110mm (boost) equipped bikes
- Additional Adaptor cores sold separately, see page 49
 - 15mm x 100mm older MTB (#64717)
 - 15mm x 150mm Fat Bike (#64716)
 - 20mm x 110mm DH/MTB (#64715)
- Theft resistant torx wrench and bolts included



INCLUDES ADAPTORS TO FIT 9MM, 12MM X 100MM, AND 15MM X 110MM (BOOST) EQUIPPED BIKES



RISER KIT (#64712) AVAILABLE TO INCREASE THE STACK HEIGHT BY 5, 10 OR 15 MM.

ADAPTOR CORES

ADAPTOR

For use in Impakt, Patrol & Enforcer models

FITS: ADAPTOR
20 MM X 110 MM
ITEM: 64715



FITS: FAT BIKE
ADAPTOR
15 MM X 150 MM
ITEM: 64716



FITS: MOUNTAIN
BIKE ADAPTER
15 MM X 100 MM
ITEM: 64717



FITS: ROAD/
CYCLOCROSS DISC
ADAPTOR
12 MM X 100 MM
ITEM: 64718



FITS: BOOST 110
ADAPTOR
15 MM X 110 MM
ITEM: 64719



PARAMOUNT TAILGATE PAD

PICK UP RACK

FULL SIZE CARRIES: UP TO 5 BIKES

FITS: TRUCK TAILGATE

SIZE: 61" WIDE

ITEM: 64762

MID SIZE CARRIES: UP TO 4 BIKES

FITS: TRUCK TAILGATE

SIZE: 54" WIDE

ITEM: 64763

FEATURES:

- High density foam pad fits over truck tailgate protecting bike and vehicle
- Bikes are positioned in place with foam block separators
- Made from waterproof and ballistic Tarpaulin
- Soft fleece lining protects truck paint
- Large flap for easy access to truck tailgate latch, can be secured for "back up" camera access
- Two mesh pockets for storage
- Full size includes 5 velcro straps to secure bikes to the pad
- Mid Size includes 4 velcro straps to secure bikes to the pad



LARGE FLAP FOR EASY ACCESS TO TRUCK TAILGATE LATCH



TWO MESH POCKETS FOR STORAGE



BIKES ARE POSITIONED IN PLACE WITH FOAM BLOCK SEPARATORS

TAILWHIP TAILGATE PAD

PICK UP RACK

FULL SIZE CARRIES: UP TO 5 BIKES

FITS: TRUCK TAILGATE

SIZE: 61" WIDE

ITEM: 64760

MID SIZE CARRIES: UP TO 4 BIKES

FITS: TRUCK TAILGATE

SIZE: 54" WIDE

ITEM: 64761

FEATURES:

- Constructed with high density foam to protect your bike
- Soft fleece lining to protect your vehicle
- Made from waterproof and ballistic tarpaulin ensuring durability
- Built in clasp keeps flap open when using a back up camera
- Straps are made of nylon webbing for longer life when exposed to the elements
- Full size Tailwhip comes with 5 Velcro lash straps
- Mid size Tailwhip comes with 4 Velcro lash straps



OVER-SIZED TAILGATE FLAP ALLOWS FOR EASY ACCESS TO TAILGATE LATCH



ADDITIONAL TAILWHIP VELCRO STRAPS SOLD SEPARATELY (#64765)



STRATEGICALLY PLACED DAISY CHAINS ALLOW FOR VERSATILE BIKE PLACEMENT

WATERSPORTS



EXO AERO

KAYAK RACK

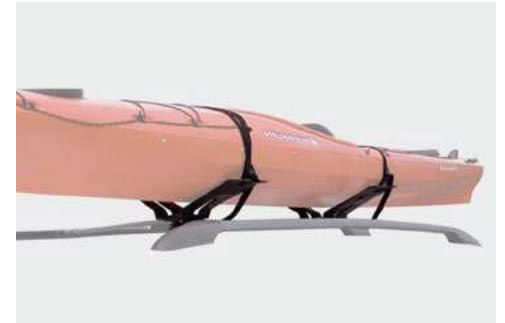
CARRIES: SINGLE KAYAK

FITS: ROUND, SQUARE, OVAL
CROSS BARS UP TO 4.5" WIDE

ITEM: 65145

FEATURES:

- Soft co-molded and form-fitting cradles
- Includes 2 tie-down straps with cam buckles and bow and stern straps
- Universal mount fits most round, square and 3.5" oval cross bars
- 60 mm and 100 mm bolts included



FORM-FITTING CRADLES



TIE DOWN STRAPS SECURE BOAT TO RACK



UNIVERSAL MOUNT FITS ROUND, SQUARE AND FACTORY CROSSBARS

CONTOUR

KAYAK RACK

CARRIES: SINGLE KAYAK

FITS: ROUND, SQUARE, OVAL
CROSS BARS UP TO 4.5" WIDE

ITEM: 65148

FEATURES:

- Universal mount fits round, square and oval crossbars
- Additional 10 mm bolts included to fit larger diameter OEM bars
- Includes 2 tie-down straps with cam lock buckles, plus bow and stern straps
- Padded arms to protect boat
- Tie-down + bow & stern straps



PADDED ARMS TO PROTECT BOAT



TIE-DOWN + BOW & STERN STRAPS



UNIVERSAL MOUNT FITS ROUND, SQUARE AND FACTORY CROSSBARS

TAJO

KAYAK RACK

CARRIES: SINGLE KAYAK

FITS: WALL MOUNT

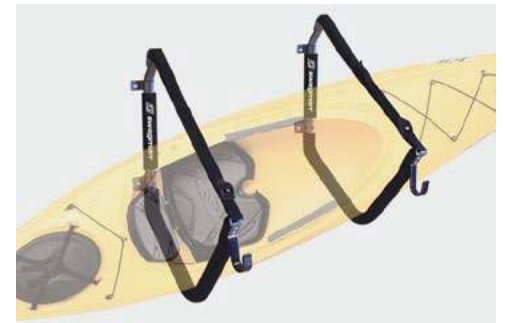
ITEM: 65146

FEATURES:

- Includes two tie-down straps to secure kayak to rack
- Takes up less space and folds against wall when not in use
- Mounts easily to wall
- Includes all mounting hardware
- Soft padding to protect KAYAK
- Folds to side when not in use
- For use in stationary locations, not for transportation



FOLDS TO SIDE WHEN NOT IN USE



SOFT PADDING TO PROTECT KAYAK

BIKE STORAGE



STOW IT

STORAGE RACK

CARRIES: 1 BIKE

FITS: WALL MOUNT STORAGE

ITEM: 80959

FEATURES:

- Effortless bike loading—no lifting required
- Patented 3rd-point wheel stopper keeps the wheel centered and prevents rim contact with the sides
- Space-saving pivot design lets you swivel the rack and bike side to side
- Compatible with tires up to 2.8" (71mm) and wheel diameters from 20" to 29"
- Includes rear wheel holder to protect your walls from tire marks



SUPPORT ARM FOLDS UP WHEN NOT IN USE



SPACE SAVING PIVOT DESIGN

STAND IT

STORAGE RACK

CARRIES: 1 BIKE

FITS: FLOOR RACK STORAGE

ITEM: 80957

FEATURES:

- Effortless height adjustment to accommodate bikes of various sizes
- Patented pivoting tire cradles ensure a stable and secure rear wheel hold
- Front wheel strap included for added alignment and stability
- Compatible with tires up to 2.5" (65mm) and wheel diameters from 20" to 29"



COMPATIBLE WITH TIRES UP TO 2.5" WIDE



EFFORTLESS HEIGHT ADJUSTMENT

WALL HANGER

STORAGE RACK

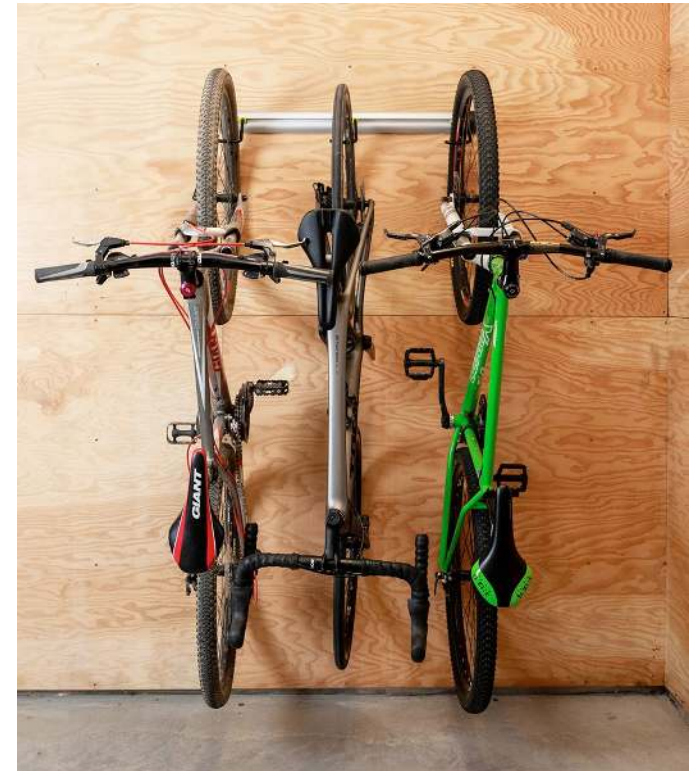
CARRIES: 3 BIKE

FITS: WALL MOUNT STORAGE

ITEM: 80963

FEATURES:

- Easy to install
- Holds up to 3 bikes, max load 90 kg
- Light weight
- Heavy duty aluminium
- Adjustable sliding hooks



HOLDS UP TO 3 BIKES

HANG IT

STORAGE RACK

LOAD: UP TO 2 BIKES

FITS: MAX CEILING HEIGHT 9'

ITEM: 80960

FEATURES:

- Allows you to store 2 bikes anywhere in the room
- Expands to a max. height of 9 ft. to brace against the floor and ceiling
- Hooks can be set at varying heights and angles to hold almost any bike size or shape
- Quick and easy to put up and take down



STORES UP TO 2 BIKES



HOOKS CAN BE SET AT VARYING HEIGHTS AND ANGLES

FOLD IT DELUXE

STORAGE RACK

LOAD: 1 BIKE, MAX 45 LBS

FITS: WALL MOUNT STORAGE

ITEM: 80956

FEATURES:

- Folds up and out of the way when not in use
- Hook can be set at varying angles and widths to hold most bikes level
- Includes mounting hardware



HOOK CAN BE SET AT VARYING ANGLES AND WIDTHS TO HOLD MOST BIKES LEVEL



PARK CITY

STORAGE RACK

LOAD: UP TO 6 BIKES
FLOOR STAND STORAGE
ITEM: 64016

FEATURES:

- Quick and easy to assemble
- Continuous steel construction
- Powdercoated to resist rust
- Large parking stalls accommodate tires up to 5" wide, smaller stalls accommodate up to 2.5" wide



STORES UP TO 6 BIKES



PARK 6

STORAGE RACK

LOAD: UP TO 6 BIKES
FLOOR STAND STORAGE
ITEM: 64019

FEATURES:

- A simple solution for bike storage
- Made of heavy duty steel tubing
- Fits up to 6 bikes
- Recommended for indoor use, such as garages or sheds
- Small parking stalls accept tires up to 2.25" wide, larger stalls up to 4" wide



MADE OF HEAVY DUTY STEEL TUBING

POSTIE

STORAGE RACK

LOAD: 1 OR 2 BIKES

ITEM: 75095

FEATURES:

- Fits nearly all bike designs
- Unique contemporary design
- Zinc plated steel with a durable powder coat
- 9" Length x 32" Height x 2.5" Width
- Mounting hardware included, additional mounting hardware may be required depending on mounting surface



UNIQUE CONTEMPORARY DESIGN



BIKE PACKING



CASK

BIKE PACKING

CARRIES: 3.3L CAPACITY

FITS: BAR BAG

ITEM: 53100

FEATURES:

- Compact cylindrical bag for tools, food, or a jacket
- SummitSkin™ 210D waterproof construction with sealed zippers
- Dual mesh pockets plus CO₂ cartridge loops for organization
- Lightweight, secure mounting between handlebars
- Reflective logos for extra visibility
- Size: 12.5 x 12.5 x 23.5cm



SECURE MOUNTING BETWEEN HANDLEBARS



REFLECTIVE LOGOS FOR EXTRA VISIBILITY

BISON

BIKE PACKING

CARRIES: 9.9L CAPACITY

FITS: BAR BAG

ITEM: 53110

FEATURES:

- Large-capacity roll-top design for bulky gear and layers
- Fully waterproof SummitSkin™ 210D fabric
- Front gear loops for attaching sandals, tent poles, or shells
- Minimalist, durable construction for multi-day adventures
- Size: 25 x 18 x 24.5cm



SECURE MOUNTING BETWEEN HANDLEBARS



FRONT LOOPS FOR ATTACHING GEAR

CACHE

BIKE PACKING

CARRIES: 0.55L CAPACITY

FITS: TOP TUBE BAG

ITEM: 53120

FEATURES:

- Designed for road, gravel, or touring, it keeps fuel, electronics, and small essentials within easy reach while riding
- Aerodynamic, low-profile design reduces drag
- Waterproof zipper for all-weather protection
- One-handed access while riding for snacks or electronics
- Bolt-on or Velcro mounting for universal compatibility
- Size: 20 x 5.5 x 8cm



FITS RIDE ESSENTIALS



EASY ONE-HANDED ACCESS

DUSTY FEEDBAG

BIKE PACKING

CARRIES: 1.9L CAPACITY

FITS: HANDLEBAR FEEDBAG

ITEM: 53130

FEATURES:

- Quick access on the fly
- Fits bear spray, extra water bottles, Nalgene, or bag of snack food
- Can be mounted inside or on the outside of your handlebars
- Size: 10 x 9.5 x 22cm



EASY ACCESS HANDLEBAR MOUNT BAG

MISTRAL

BIKE PACKING

CARRIES: 3.5L CAPACITY

FITS: FRAME BAG

ITEM: 53140

FEATURES:

- Internal mesh pockets and CO₂ loops
- Compact, reversible design fits a wide range of bike frames
- SummitSkin™ 210D waterproof fabric with durable zippers
- Dual electrical ports for GPS or battery pack charging
- Leaves space for one or two water bottles
- Size: 32 x 17.5 x 7cm



INTERNAL MESH POCKETS



COMPACT REVERSIBLE DESIGN

SIROCCO

BIKE PACKING

SIZE: MEDIUM

CARRIES: 3.4L CAPACITY

FITS: FRAME BAG

ITEM: 53150

FEATURES:

- Internal mesh pockets and CO₂ loops
- Distributes weight evenly along the top tube, with front electrical access for GPS or battery packs — perfect for longer adventures
- Zippered pockets on both sides, plus front electrical port
- Full-length frame bag for maximum gear capacity
- SummitSkin™ 210D waterproof construction
- Streamlined fit for stable, aerodynamic weight distribution
- Size: 40 x 6.4 x 15cm



STREAMLINED FIT ALONG TOP TUBE



CARRIES ALL THE GEAR YOU NEED FOR LONGER ADVENTURES

SIROCCO

BIKE PACKING

SIZE: LARGE

CARRIES: 4.5L CAPACITY

FITS: FRAME BAG

ITEM: 53160

FEATURES:

- Internal mesh pockets and CO₂ loops
- Distributes weight evenly along the top tube, with front electrical access for GPS or battery packs — perfect for longer adventures
- Zippered pockets on both sides, plus front electrical port
- Full-length frame bag for maximum gear capacity
- SummitSkin™ 210D waterproof construction
- Streamlined fit for stable, aerodynamic weight distribution
- Size: 46 x 6.4 x 17cm



STREAMLINED FIT ALONG TOP TUBE



CARRIES ALL THE GEAR YOU NEED FOR LONGER ADVENTURES

STOWAWAY

BIKE PACKING

SIZE: MEDIUM

CARRIES: 12L CAPACITY

FITS: SADDLE BAG

ITEM: 53180

FEATURES:

- Attaches securely to saddle and seatpost
- Dependable storage for extra clothing and gear
- Balanced size for weekend gravel or endurance rides
- Waterproof SummitSkin™ 210D construction with roll-top
- Semi-rigid panels maintain shape under load
- Reflective accents and external bungee for added storage
- Size: 41 x 23 x 15cm



ATTACHES SECURELY TO SADDLE AND SEATPOST



SEMI-RIGID PANELS MAINTAIN SHAPE UNDER LOAD

STOWAWAY

BIKE PACKING

SIZE: LARGE

CARRIES: 17.7L CAPACITY

FITS: SADDLE BAG

ITEM: 53190

FEATURES:

- Attaches securely to saddle and seatpost
- Dependable storage for extra clothing and gear
- Balanced size for weekend gravel or endurance rides
- Waterproof SummitSkin™ 210D construction with roll-top
- Semi-rigid panels maintain shape under load
- Reflective accents and external bungee for added storage
- Size: 56 x 2a2 x 16cm



ATTACHES SECURELY TO SADDLE AND SEATPOST



SEMI-RIGID PANELS MAINTAIN SHAPE UNDER LOAD

OUTRIGGER

BIKE PACKING

CARRIES: 4.1L CAPACITY

FITS: FORK BAG

ITEM: 53210

FEATURES:

- Expanded fork storage for cookware, sleep kit, or bulky gear
- Waterproof, abrasion-resistant SummitSkin™ 210D fabric
- Secure low-mount with included brackets and padding
- Holds up to 5.5 lbs per side while keeping weight stable
- Bolt-On or Ring Clamp attachments included
- Size: 17 x 17 x 15cm



BOLT-ON OR RING CLAMP ATTACHMENTS INCLUDED



HOLDS UP TO 5.5 LBS PER SIDE WHILE KEEPING WEIGHT STABLE

TOOLS



CO2 PRESSURE PRESET

TOOLS

FITS: PRESTA VALVES ONLY

ITEM: 30100

FEATURES:

- Patented pressure control valve
- Regulate (inflate & deflate) tire pressure to your desired pressure
- Compact & light
- Incredible air seal performance
- CNC aluminum construction
- Anodized finish
- Weighs only 39 grams / 1.37 oz.



PATENTED PRESSURE CONTROL VALVE



CNC ALUMINUM CONSTRUCTION

CO2 PRESSURE PRESET WITH TIRE PLUGGER

TOOLS

FITS: PRESTA VALVES ONLY

ITEM: 30101

FEATURES:

- Combines rapid tire inflation with a built-in tubeless repair system
- Features preset PSI/Bar settings
- Patented pressure valve
- Puncture repair, inflation and pressure regulation, all in one tool
- Includes: Tool, 5 Maple Bacon Strips (1.5mm), and 5 Tire Plugs
- CNC Aluminum construction with anodized finish



PUNCTURE REPAIR, INFLATION AND PRESSURE REGULATION, ALL IN ONE TOOL



COMES WITH CARRYING CASE

TORQUE WRENCH

TOOLS

SIZE: MEDIUM

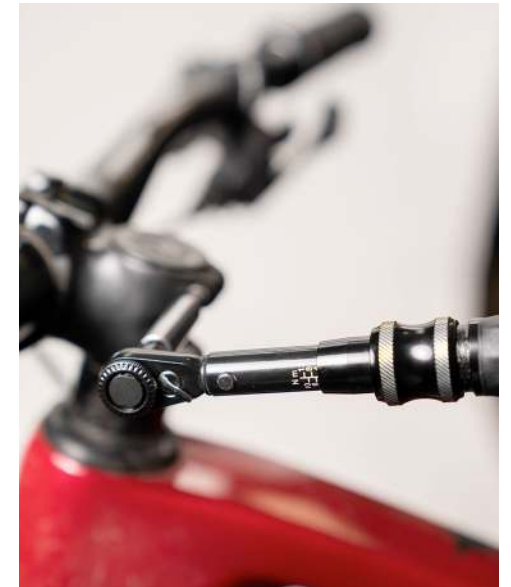
ITEM: 30111

FEATURES:

- Designed for at home use
- Packaged in it's own metal case
- Nm settings from 2-12Nm in 1 Nm increments
- Includes 10 bits: T10, T25 & T30 as well as Allen bits: 2mm, 2.5mm, 3mm, 4mm, 5mm, 6mm, and 7mm
- Includes an extender



COMES WITH CARRYING CASE



TORQUE WRENCH

TOOLS

SIZE: SMALL FOLDING

ITEM: 30110

FEATURES:

- Designed for on-trail use
- Compact size and relative light weight
- Safely tightens seatposts, stems, and handlebars
- Hollow handle with removeable cap can store 2 bits inside
- Includes 5 bits: 2-6 Allen + T25 and an extender
- Nm settings from 4-6Nm in .5 Nm increments



COMES WITH CARRYING CASE



COMPACT FOLDING DESIGN

SPINDOKTOR

TOOLS

FIT: BIKE REPAIR STAND

ITEM: 80958

FEATURES:

- Tripod base provides stability for a safe and secure workspace
- Fully adjustable clamp rotates and tilts for near-infinite positioning
- Quick-action macro-adjustment jaws with a precision micro-adjustment dial ensures a perfect grip every time
- One-handed quick-release button for effortless bike removal
- Supports bikes up to 48 lbs
- Built for strength and reliability



SAFE, STABLE TRIPOD BASE



FOLDS UP WHEN NOT IN USE

ACCESSORIES



deluxe bar adaptor

ACCESSORIES

CARRIES: 1 BIKE

FITS: TELESCOPIC BAR

ITEM: 64005

FEATURES:

- Creates a horizontal cross bar for bikes so they can be mounted onto racks that require a horizontal top tube
- Telescopic bar fits multiple bike sizes
- Adapter comes equipped with vinyl-coated hangers
- User friendly quick release
- Adjusts from 19" to 26"



USER FRIENDLY QUICK RELEASE

READ MORE



SCAN OR CLICK

cruiser bar

ACCESSORIES

CARRIES: 1 BIKE

FITS: TELESCOPIC BAR

ITEM: 63999

FEATURES:

- Designed to fit longer frame designs including popular cruiser style bike frames that the regular bar adaptors struggle to fit properly
- Larger openings on both ends allow it to clamp around over-sized headtubes/stems
- Telescopic bar fits multiple bike sizes
- Adaptor comes equipped with vinyl-coated hangers
- User friendly quick release
- Adjusts from 25" to 34"



DESIGNED TO FIT LONGER FRAME
DESIGNS INCLUDING POPULAR CRUISER
STYLE BIKE FRAMES



READ MORE



SCAN OR CLICK

X MOUNT

STORAGE RACK

LOAD: 1 BIKE RACK

FITS: WALL MOUNT STORAGE

ITEM: 80940

FEATURES:

- Fits 2" receiver style bike racks and 1-1/4" with adapter
- Stores bike rack when not in use
- Folds against wall when not in use
- Pivoting receiver



FOLDS AGAINST WALL WHEN NOT IN USE

sentry

SECURITY

TYPE: SECURITY CHAIN AND SHACKLE LOCK

ITEM: 64039

FEATURES:

- Unmatched security
- 8mm thick hardened steel
- High strength shackle lock
- Weather-resistant durability
- Protective polypropylene sleeve
- Two keys provided



HIGH STRENGTH SHACKLE LOCK



DURABLE POLYPROPYLENE SLEEVE

5/8" LOCKING HITCH PIN & CABLE

ACCESSORIES

CLASS: 3

FITS: CLASS 3 – 2" RECEIVERS

ITEM: 64030

FEATURES:

- 5/8" Threaded Hitch Pin
- High security key allows for easy access with only a half-turn to unlock
- Premium chrome plated for maximum rust protection
- 8.5 ft. long 10 mm security cable with hitch pin adapter
- Rolling change in 2026 to black nickel plating on hitch pin



UNIQUE HIDDEN PIN CYLINDER FOR WEATHER PROTECTION



HIGH SECURITY KEY ALLOWS FOR EASY ACCESS WITH ONLY A HALF-TURN TO UNLOCK

1/2" LOCKING HITCH PIN & CABLE

ACCESSORIES

CLASS: 1 & 2

FITS: CLASS 1 & 2 – 1-1/4" AND
2" UNIVERSAL MOUNT

ITEM: 64031

FEATURES:

- 1/2" Threaded Hitch Pin
- High security key allows for easy access with only a half-turn to unlock
- Premium chrome plated for maximum rust protection
- 7.5 ft. long 10 mm security cable with hitch pin adapter
- Rolling change in 2026 to black nickel plating on hitch pin



UNIQUE HIDDEN PIN CYLINDER FOR WEATHER PROTECTION



HIGH SECURITY KEY ALLOWS FOR EASY ACCESS WITH ONLY A HALF-TURN TO UNLOCK

5/8" LOCKING HITCH PIN

ACCESSORIES

CLASS: 3

FITS: 2" RECEIVERS

ITEM: 64027

FEATURES:

- Unique hidden pin cylinder for weather protection
- Premium chrome plated for maximum rust protection
- High security key allows for easy access with only a half-turn to unlock
- Fits 2" receiver hitch only
- UNC standard thread
- Rolling change in 2026 to black nickel plating on hitch pin



UNIQUE HIDDEN PIN CYLINDER FOR WEATHER PROTECTION



1/2" LOCKING HITCH PIN

ACCESSORIES

CLASS: 1 & 2

FITS: 1-1/4" AND 2" UNIVERSAL
MOUNT

ITEM: 64029

FEATURES:

- High security key allows for easy access with only a half-turn to unlock
- Premium chrome plated for maximum rust protection
- Unique hidden pin cylinder for weather protection
- All 1-1/4" hitches will take a 1/2" hitch pin
- Hitch pin must be tightened with a wrench
- 1/2" – 12 British Standard Whitworth thread
- Rolling change in 2026 to black nickel plating on hitch pin



UNIQUE HIDDEN PIN CYLINDER FOR WEATHER PROTECTION



Swagman Replacement Keys



Are you looking for replacement keys for your Swagman product? We can help!

There are almost a thousand variations of keys for the hundreds of Swagman models over the years, so please read carefully to learn how we can get you the keys you

READ MORE ►

SCAN ME



CLICK ME

POINT OF PURCHASE





DELUXE POP STAND
SIZE: HOLDS 2 RACKS | ITEM: 69047



SWAGMAN
DEALER DECAL
SIZE: 20" X 3" | ITEM: 69035



SWAGMAN
DECAL
SIZE: 8" X 6" | ITEM: 69036



SWAGMAN LARGE
DEALER BANNER
SIZE: 72" X 40" | ITEM: 69030



SWAGMAN MEDIUM
DEALER BANNER
SIZE: 56" X 22" | ITEM: 69031



SWAGMAN
DEALER SIGN
SIZE: 36" X 22" | ITEM: 69032

enablers of fun

video series



"I turned to the Mayor, and I said, 'It's crazy that all these mountain bikers are coming to the middle of nowhere,' and he turned back to me, a confident look on his face and said, "No John, this is the middle of everywhere."

WATCH NOW ▶

SCAN ME



CLICK ME



Where in the world is Cory Wallace?

With an annual race calendar that entails a lifetime's worth of bucket list events, it's a genuine question.

WATCH NOW ▶

SCAN ME



CLICK ME

www.swagman.net

PHONE:

800.469.7924
250.490.8883

SWAGMAN HEAD OFFICE

300 - 1880 GOVERNMENT STREET
PENTICTON, BC, CANADA V2A 7J1

FAX:

800.469.7893
250.490.8885

