

Fill out the values in the form below as best you can. If you don't know select (Don't know) and our team of engineers will offer you the best solution for your application. Return the form to [sales@stingraymetalworks.com](mailto:sales@stingraymetalworks.com)

CAPACITY DESIRED: \_\_\_\_\_, [Don't Know]

DIMENSION A: \_\_\_\_\_, [Don't Know]

DIMENSION B: \_\_\_\_\_, [Don't Know]

DIMENSION C: \_\_\_\_\_, [Don't Know]

BIN MATERIAL THICKNESS: [10ga], [12ga], [Don't Know]

MATERIAL: [Carbon Steel], [304 Stainless Steel], [316 Stainless Steel], [Don't Know]

Application: \_\_\_\_\_, [Don't Know]

Product Used In The Bin: \_\_\_\_\_, [Don't Know]

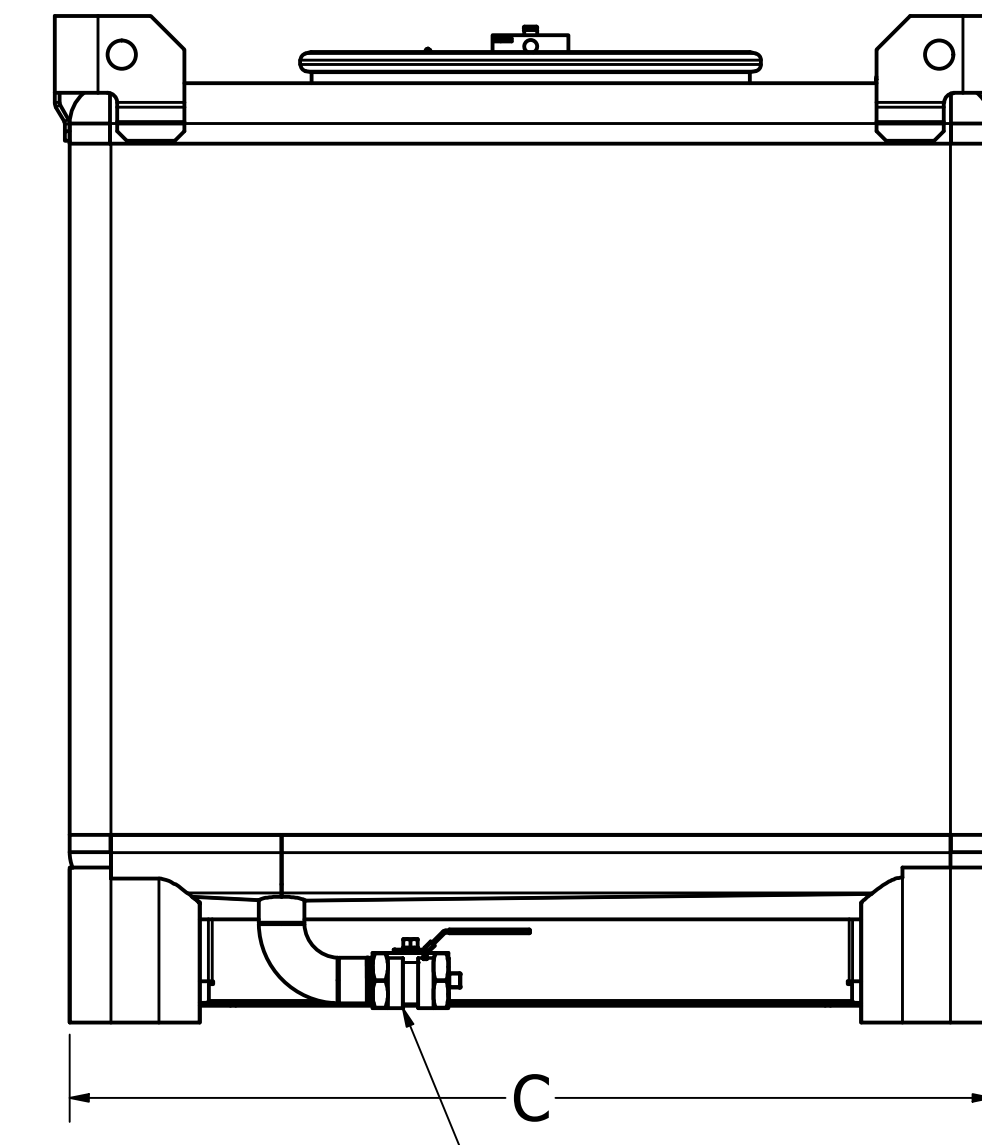
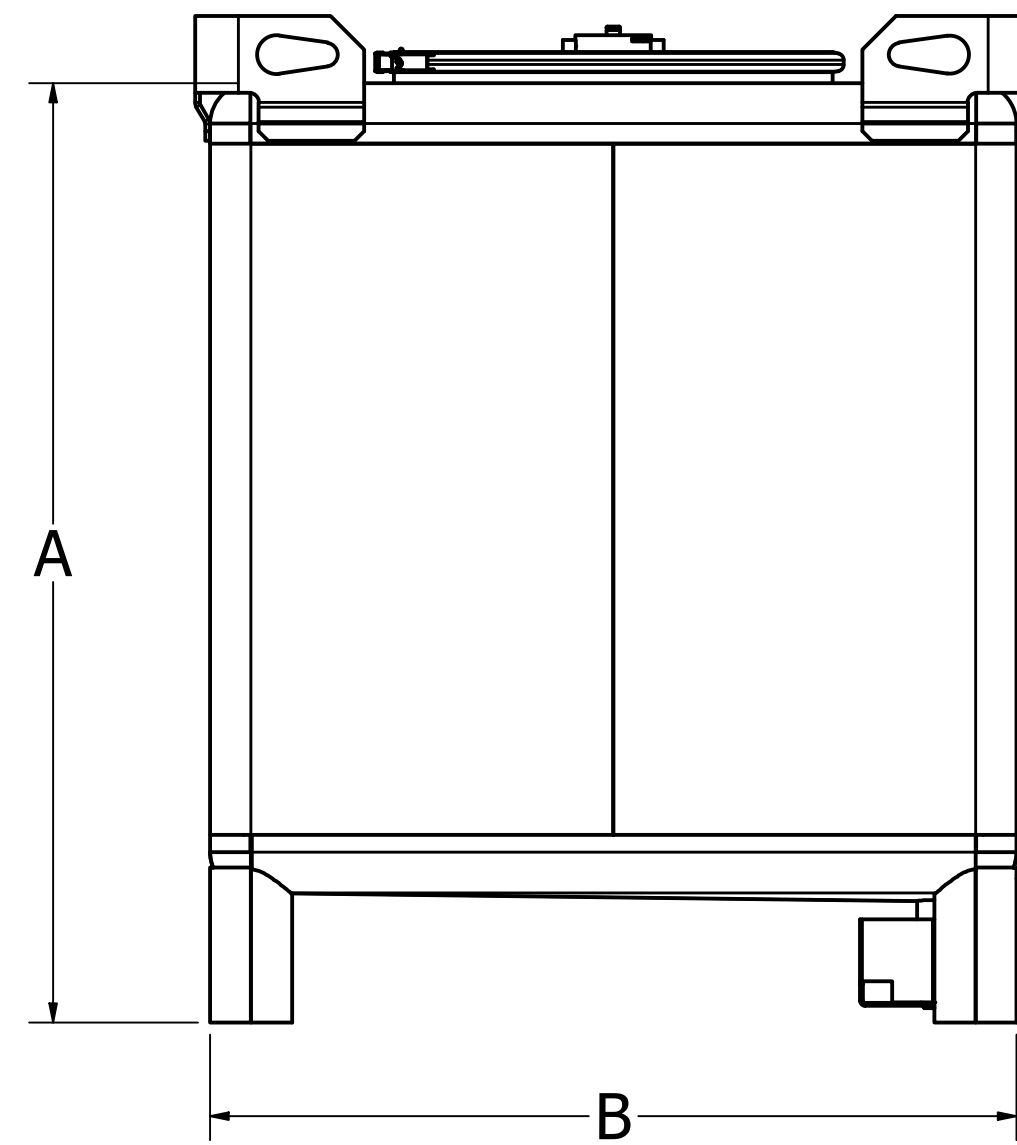
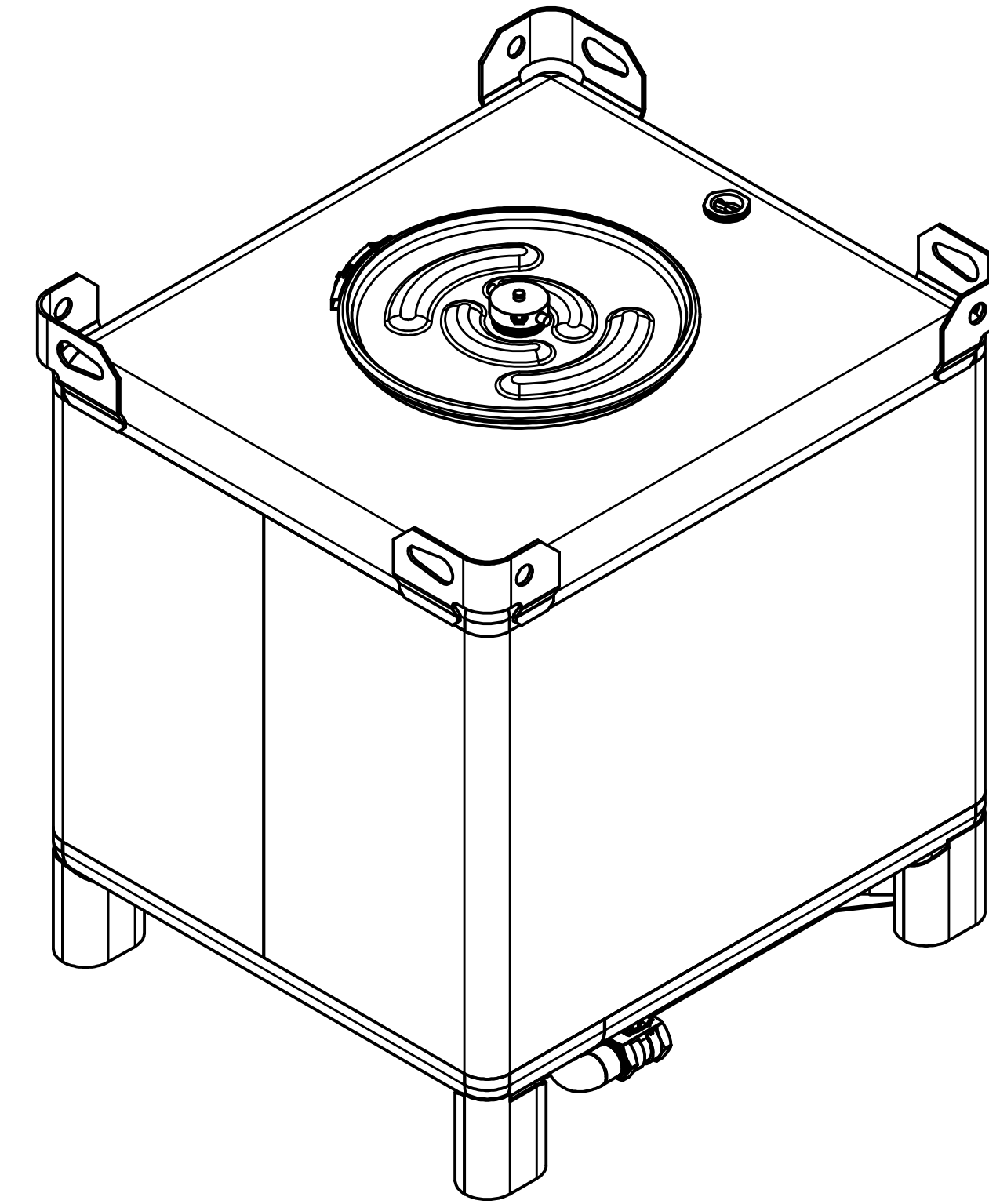
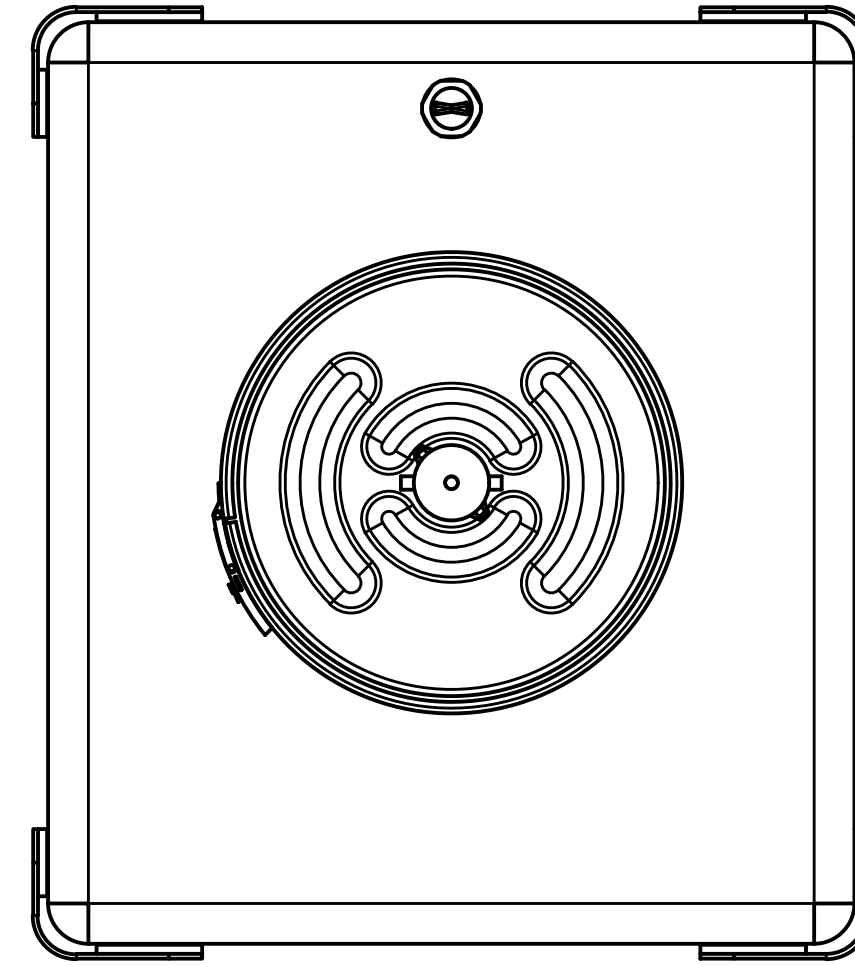
Density of Product Used In The Bin: \_\_\_\_\_, [Don't Know]

GASKET MATERIAL: \_\_\_\_\_, [Don't Know]

LID TYPE: \_\_\_\_\_, [Don't Know]

VALVE OPTION: \_\_\_\_\_, [Don't Know]

ANYTHING ELSE NOT MENTIONED: \_\_\_\_\_



[WWW.STINGRAYMETALWORKS.COM](http://WWW.STINGRAYMETALWORKS.COM)