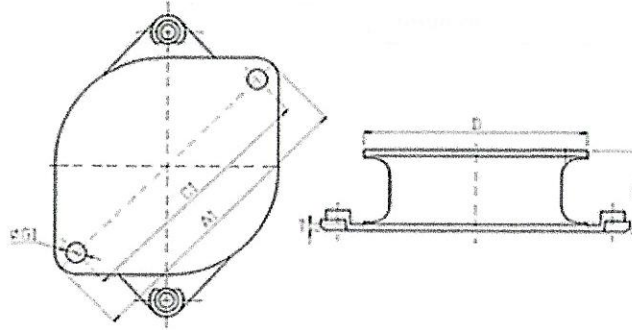
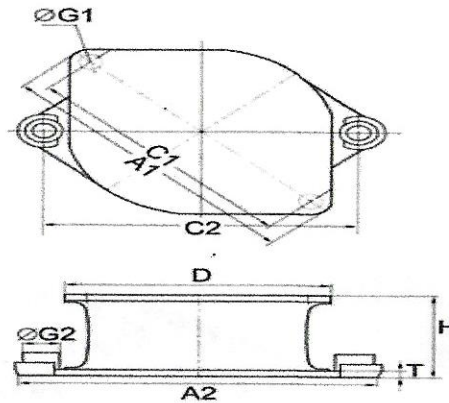


IC1501 Series



Everpads Item	Maker	Model No.	Dimension								Hardness +/-3	Part No.	Q'ty	
			A1	C1	G1	D	H	A2	C2	G2				T
IC1501	HAMM	3205, 3307, 3307HT, 3410, 3411, 3412, 3412(H180), 3413, 3413(H180), 3414, 3414(H180), 3414HT, 3516, 3516(H161), 3517, 3518, 3518(H161), 3519, 3520, 3520(H161), 3520HT, 3625(H162), 3625HT, DV40, DV65TO, DV70, DV90, DV90TO, HD13, HD14, HD120VV, HD140VV	208	184	13.7	156	76.5	209	184	22	6	50~60	1487116	8 16 24 32
IC1502	ZOOMLION	YZC12	233	205	17	150	75				7.5			



Everpads Item	Maker	Model No.	Dimension								Hardness +/-3	Part No.	Q'ty	
			A1	C1	G1	D	H	A2	C2	G2				T
IC1503	HAMM	3520, 3412-3414, 3516, 3518, 3520, 3625	237	205	14	171	88	237	205	32	8	50-60	1524771	