

## SINGLE ARM BRACKET

**966947**

**Four Foot Reach**

Arm Dimensions:  
A=44", B=36", C=19.5"

**966957**

**Five Foot Reach**

Arm Dimensions:  
A=56", B=48", C=20"

**966967**

**Six Foot Reach**

Arm Dimensions:  
A=68.5", B=60", C=20.5"

**966977**

**Seven Foot Reach**

Arm Dimensions:  
A=80.5", B=72", C=20.5"

## DOUBLE ARM BRACKET

**967904**

**Four Foot Reach**

Arm Dimensions:  
A=44", B=36", C=19.5"

**967905**

**Five Foot Reach**

Arm Dimensions:  
A=56", B=48", C=20"

**967906**

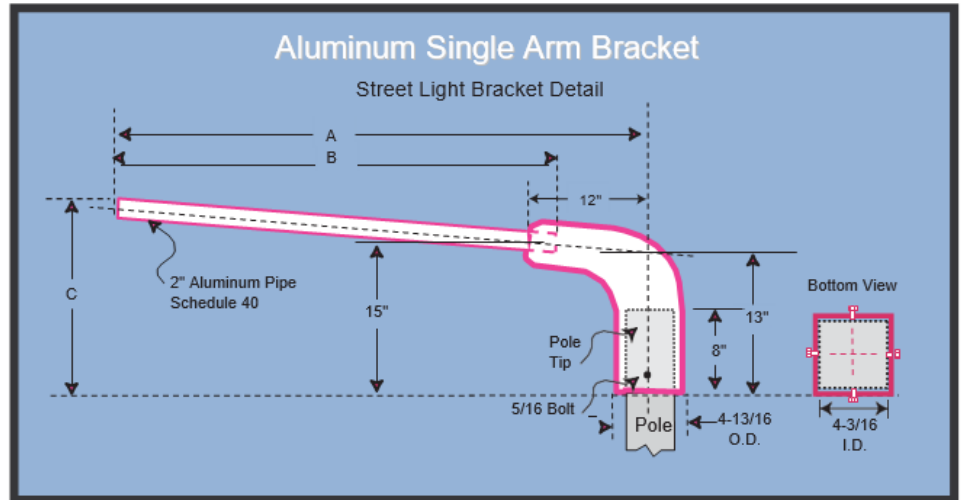
**Six Foot Reach**

Arm Dimensions:  
A=68.5", B=60", C=20.5"

**967907**

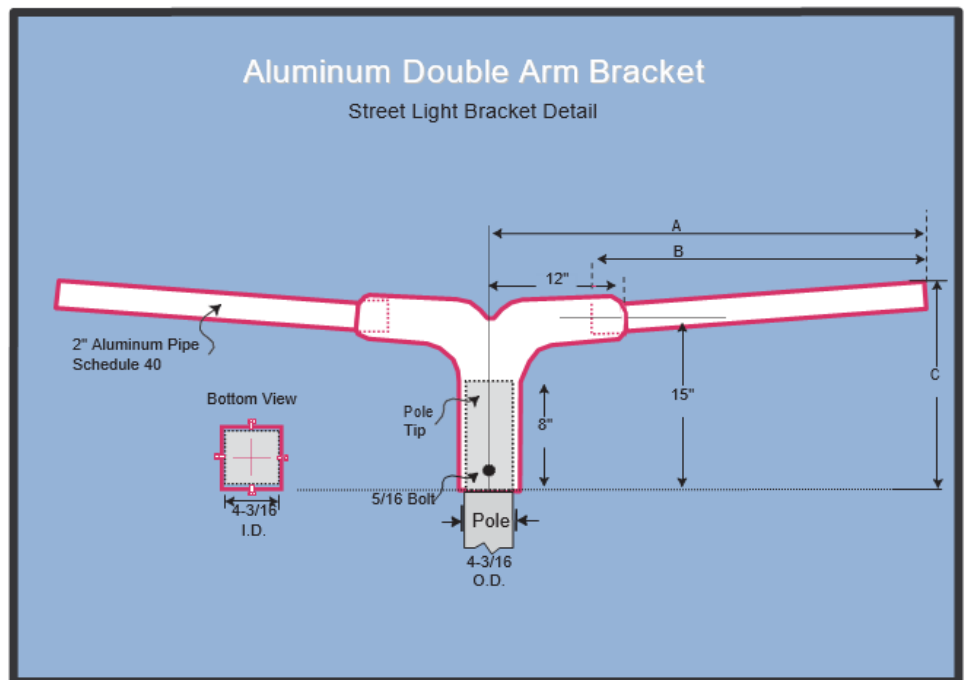
**Seven Foot Reach**

Arm Dimensions:  
A=80.5", B=72", C=20.5"



### Bracket Specifications: Four, Five, Six & Seven Foot Reach

The complete bracket assembly has a uniform finish, and extends (A") from the center of the pole. The cast aluminum arm bracket is an aluminum alloy; #356-T6 Tenzoloy. Support arm is two inch, IPS aluminum pipe, ASA schedule #40, U.S. Aluminum Association #6063-T6.



# BRACKETS

## SINGLE ARM BRACKET

**966894**

**Four Foot Reach**

Arm Dimension:  
A=44"

**966895**

**Five Foot Reach**

Arm Dimension:  
A=56"

**966896**

**Six Foot Reach**

Arm Dimension:  
A=68.5"

**966897**

**Seven Foot Reach**

Arm Dimension:  
A=80.5"

## DOUBLE ARM BRACKET

**968984**

**Four Foot Reach**

Arm Dimension:  
A=44" each side

**968985**

**Five Foot Reach**

Arm Dimension:  
A=56" each side

**968986**

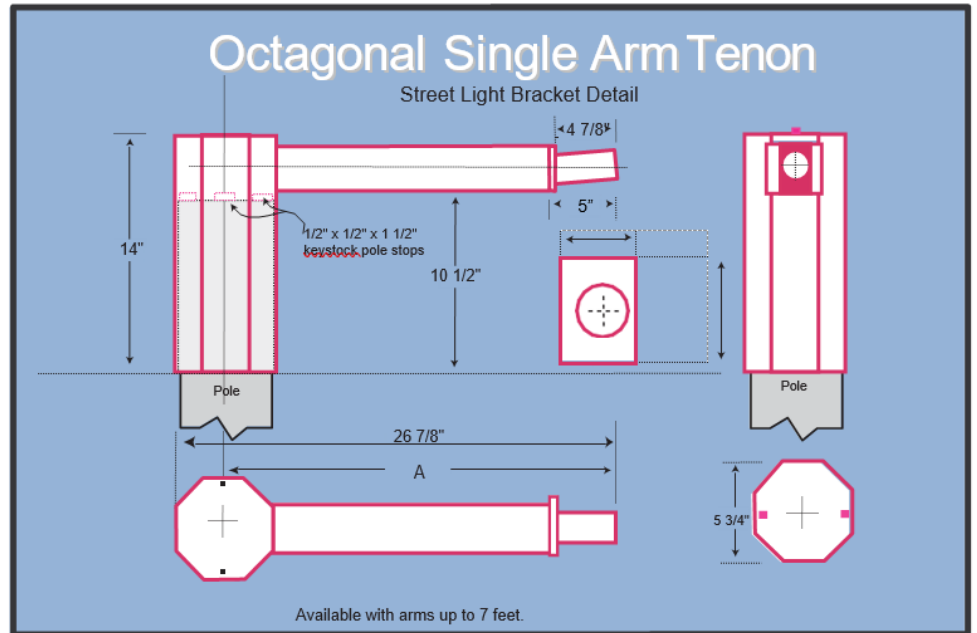
**Six Foot Reach**

Arm Dimension:  
A=68.5" each side

**968987**

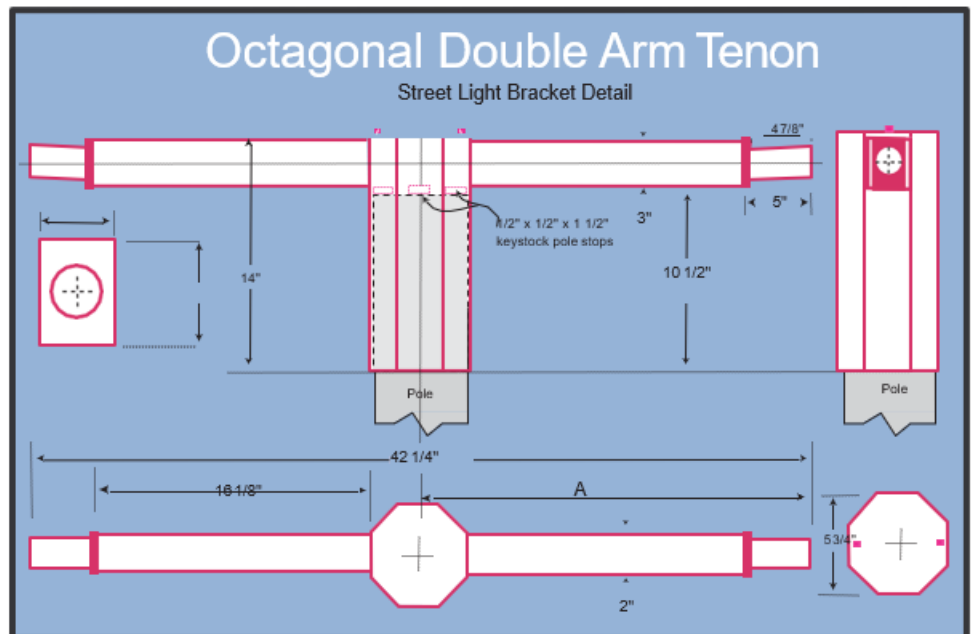
**Seven Foot Reach**

Arm Dimension:  
A=80.5" each side



### Bracket Specifications: Four, Five, Six & Seven Foot Reach

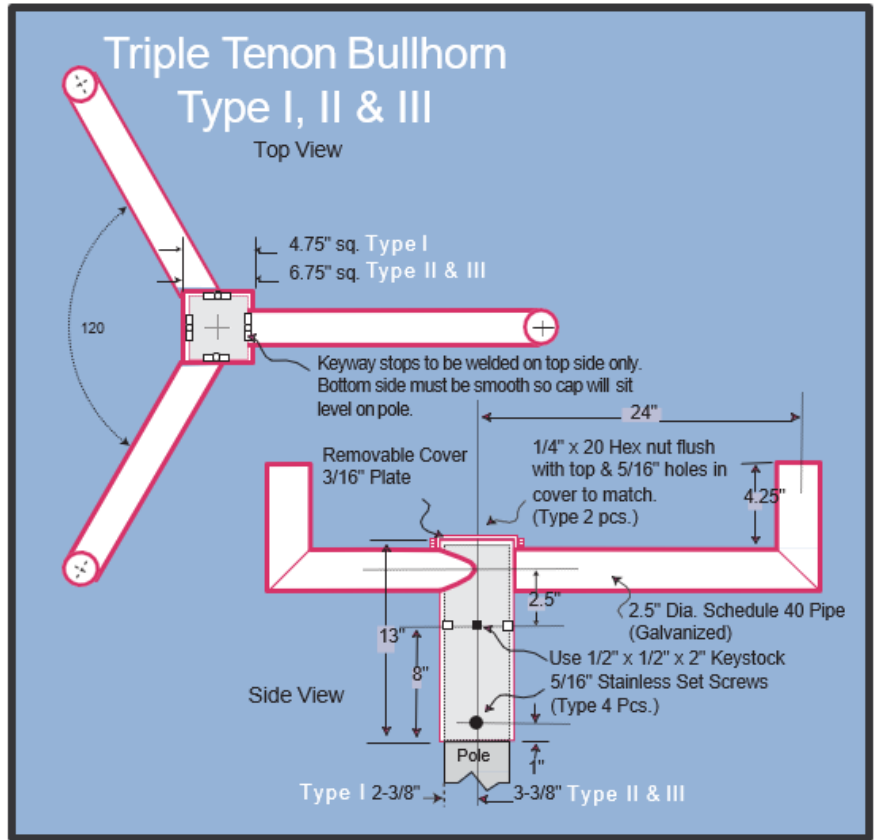
The complete bracket assembly has a uniform finish, and extends (A") from the center of the pole. The cast aluminum arm bracket is an aluminum alloy; #356-T6 Tenzoloy. Support arm is two inch, IPS aluminum pipe, ASA schedule #40, U.S. Aluminum Association #6063-T6.



## TRIPLE TENON BULLHORN

962879  
TYPE I

962879  
TYPE II & III



## QUAD TENON BULLHORN

971879  
TYPE I

979879  
TYPE II & III

