

STOCK CODE:  
CUSTOMER:



8892 Highway 159 East  
Bellville, TX 77418  
www.lonestarprestress.com  
Tel: (713) 896-0994  
Fax: (713) 896-0762

DWG. NO:	CATALOG	REV.:
CAT. NO:	966916	DATE:
PROJECT:		10/28/21

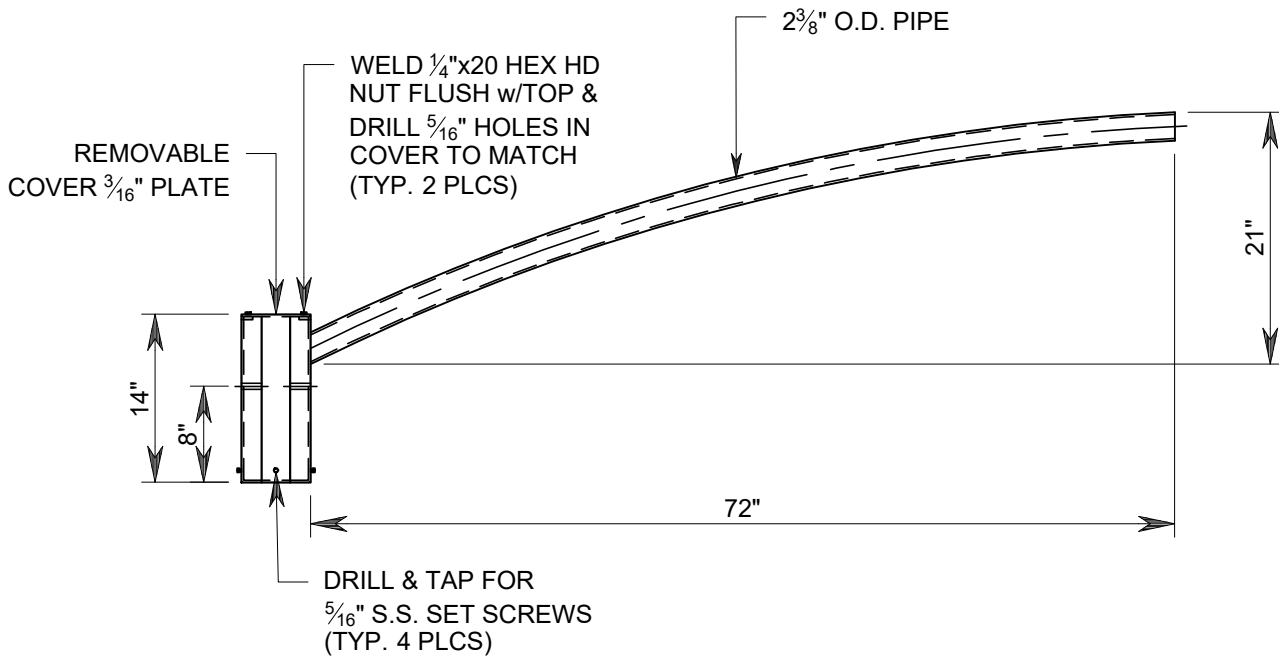
TEXAS PROFESSIONAL ENGINEERS REG. NO. F-9055.  
APPROVED BY: \_\_\_\_\_ DATE: \_\_\_\_\_



KEYWAY STOPS TO BE WELDED ON TOP SIDE ONLY. BOTTOM SIDE MUST BE SMOOTH SO CAP WILL SIT LEVEL ON POLE.

### TOP VIEW

SCALE: 3/4"=1'-0"



### SIDE VIEW

SCALE: 3/4"=1'-0"

**NOTES:**

1. ALL PARTS TO BE STEEL.
2. ALL TOLERANCES SHALL BE 1/16".
3. MATERIAL TO BE 3/16" ALUMINUM UNLESS OTHERWISE NOTED.
4. ALL THREADS ARE TO BE CHASED AFTER FABRICATION.
5. INSTALL 1/4"x20"x1/4" S.S. BOLTS IN COVER BRACKET TO BE ALUMINUM FINISH AFTER FABRICATION.
- 6.

DESCRIPTION: <b>6' UPSWEEP OCTAGONAL SINGLE ARM BRACKET</b>		
TRUCK LOAD QTY:	DRWN: KC	CHKD.:
WEIGHT:	QTY:	
FINISH: ALUMINUM		