

STOCK CODE:
CUSTOMER:

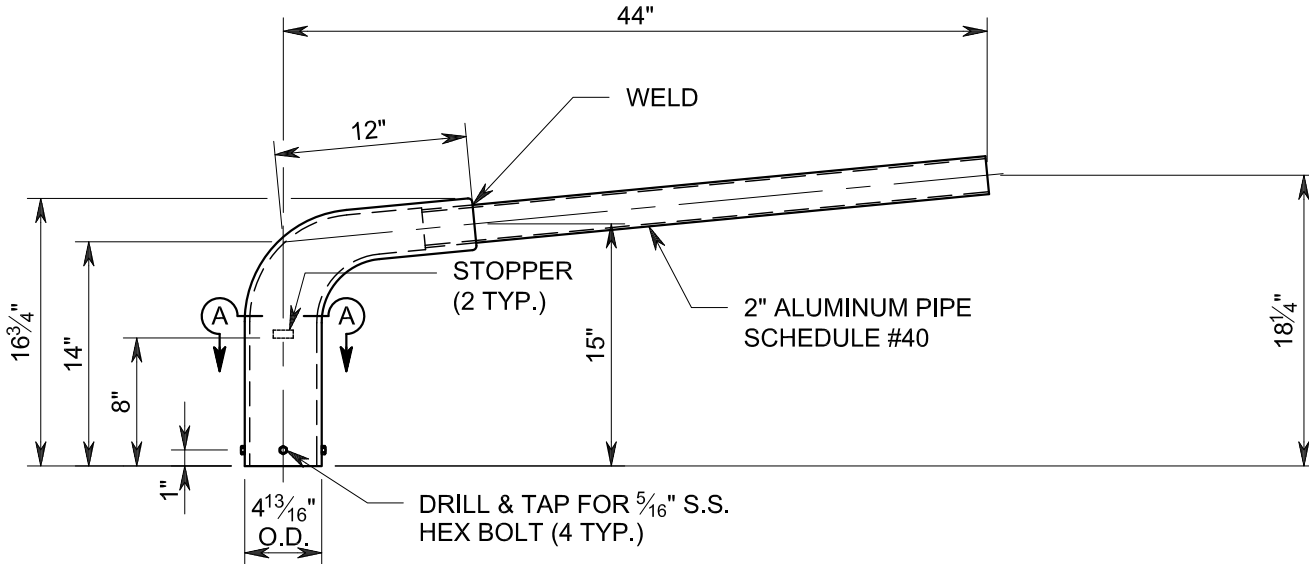


8892 Highway 159 East
Bellville, TX 77418
www.lonestarprestress.com
Tel: (713) 896-0994
Fax: (713) 896-0762

DWG. NO:	CATALOG	REV.
CAT. NO:	966947	DATE: 2/18/20
PROJECT:		

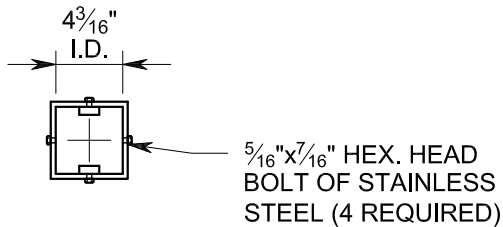
TEXAS PROFESSIONAL ENGINEERS REG. NO. F-9055.
APPROVED BY: _____ DATE: _____

SAB-4 BRACKET ARM



STREET LIGHT BRACKET DETAIL

SCALE: 1"=1'-0"



SECTION A-A

SCALE: 1"=1'-0"

BRACKET NOTES:

1. COMPLETE ASSEMBLY - THE BRACKET SHALL BE OF A LENGTH TO MOUNT TO A LUMINAIRE APPROXIMATELY FOUR FEET FROM CENTER OF POLE AS PER DRAWING.
2. POLE TOP FITTING - THE POLE TOP FITTING SHALL BE CAST ALUMINUM. THE CASTING AND PARTS SHALL BE AS PER DRAWING. CASTING SHALL BE ALUMINUM ALLOY #356-T6 OR TENZOLOY.
3. SUPPORTS - THE LUMINAIRE SUPPORTS SHALL BE MADE OF TWO INCH IPS ALUMINUM PIPE. ASA SCHEDULE 40.

DESCRIPTION: **4' ALUMINUM
SINGLE ARM BRACKET**

TRUCK LOAD QTY:	DRWN: BD	CHKD:
WEIGHT: 17 LBS.	QTY:	
FINISH: ALUMINUM		

STOCK CODE:
CUSTOMER:

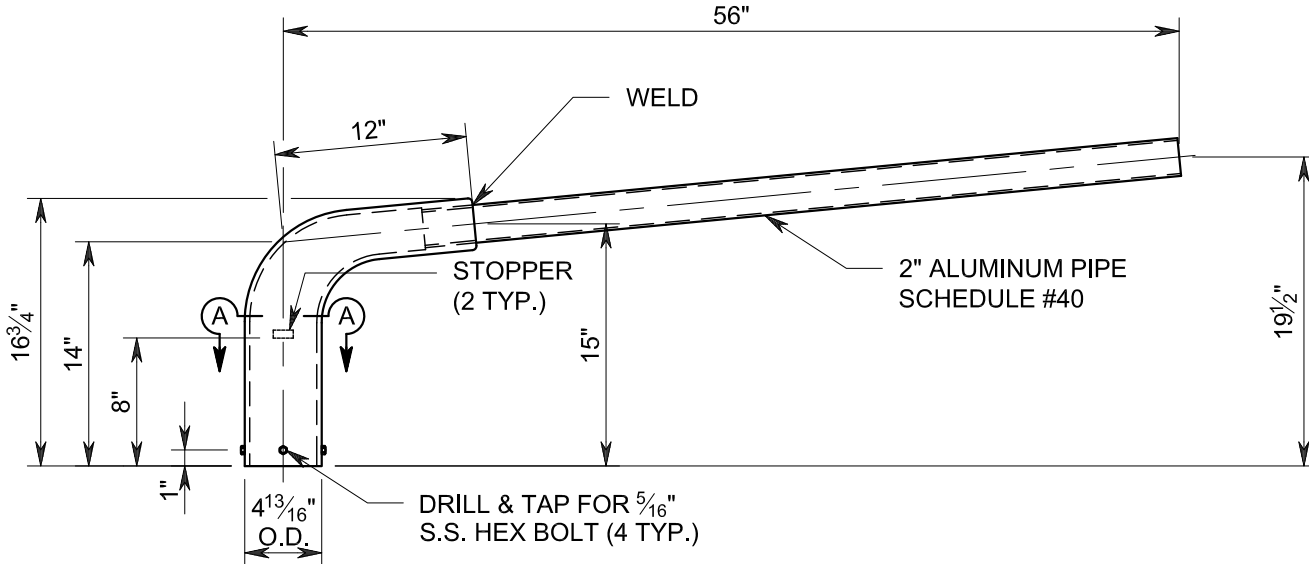


8892 Highway 159 East
Bellville, TX 77418
www.lonestarprestress.com
Tel: (713) 896-0994
Fax: (713) 896-0762

DWG. NO:	CATALOG	REV.
CAT. NO:	966957	DATE: 2/18/20
PROJECT:		

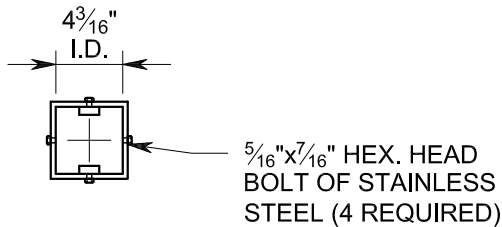
TEXAS PROFESSIONAL ENGINEERS REG. NO. F-9055.
APPROVED BY: _____ DATE: _____

SAB-5 BRACKET ARM



STREET LIGHT BRACKET DETAIL

SCALE: 1"=1'-0"



SECTION A-A

SCALE: 1"=1'-0"

BRACKET NOTES:

1. COMPLETE ASSEMBLY - THE BRACKET SHALL BE OF A LENGTH TO MOUNT TO A LUMINAIRE APPROXIMATELY FIVE FEET FROM CENTER OF POLE AS PER DRAWING.
2. POLE TOP FITTING - THE POLE TOP FITTING SHALL BE CAST ALUMINUM. THE CASTING AND PARTS SHALL BE AS PER DRAWING. CASTING SHALL BE ALUMINUM ALLOY #356-T6 OR TENZOLOY.
3. SUPPORTS - THE LUMINAIRE SUPPORTS SHALL BE MADE OF TWO INCH IPS ALUMINUM PIPE. ASA SCHEDULE 40.

DESCRIPTION: **5' ALUMINUM
SINGLE ARM BRACKET**

TRUCK LOAD QTY:		DRWN: BD	CHKD:
WEIGHT:	18 LBS.	QTY:	
FINISH:	ALUMINUM		

STOCK CODE:
CUSTOMER:

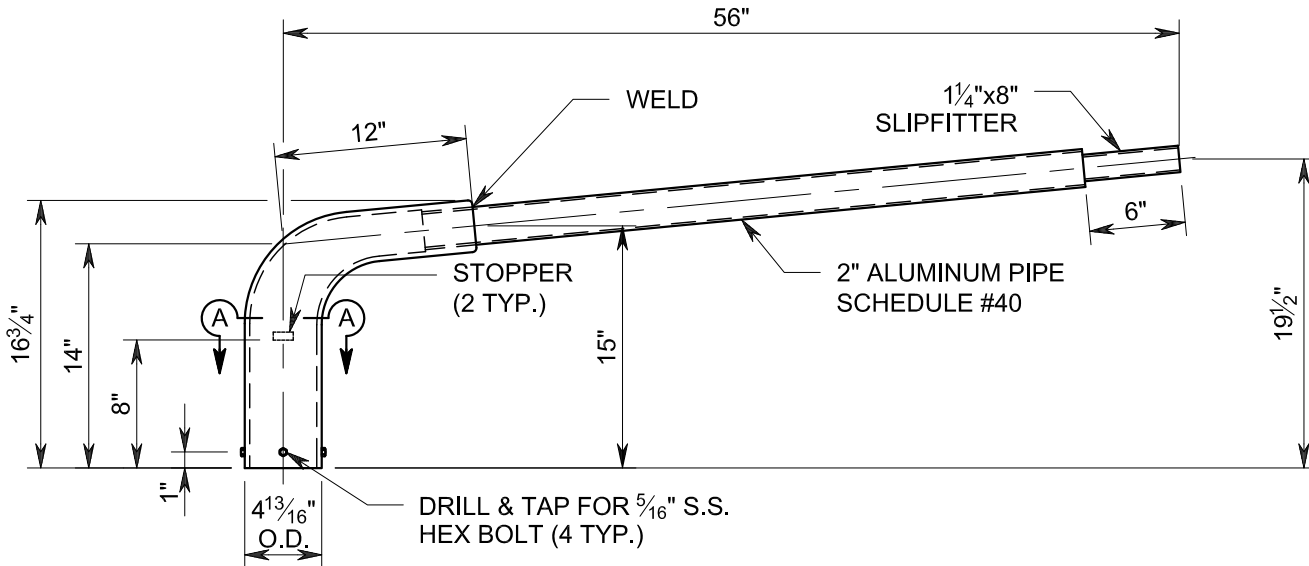


8892 Highway 159 East
Bellville, TX 77418
www.lonestarprestress.com
Tel: (713) 896-0994
Fax: (713) 896-0762

DWG. NO:	CATALOG	REV.
CAT. NO:	966957-SF	DATE: 2/18/20
PROJECT:		

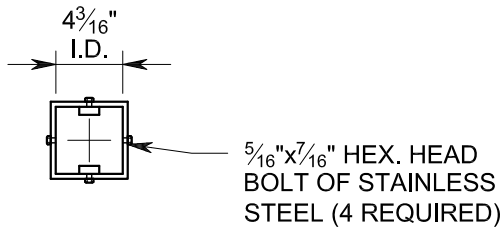
TEXAS PROFESSIONAL ENGINEERS REG. NO. F-9055.
APPROVED BY: _____ DATE: _____

SAB-5 BRACKET ARM



STREET LIGHT BRACKET DETAIL

SCALE: 1"=1'-0"



SECTION A-A

SCALE: 1"=1'-0"

BRACKET NOTES:

1. COMPLETE ASSEMBLY - THE BRACKET SHALL BE OF A LENGTH TO MOUNT TO A LUMINAIRE APPROXIMATELY FIVE FEET FROM CENTER OF POLE AS PER DRAWING.
2. POLE TOP FITTING - THE POLE TOP FITTING SHALL BE CAST ALUMINUM. THE CASTING AND PARTS SHALL BE AS PER DRAWING. CASTING SHALL BE ALUMINUM ALLOY #356-T6 OR TENZOLOY.
3. SUPPORTS - THE LUMINAIRE SUPPORTS SHALL BE MADE OF TWO INCH IPS ALUMINUM PIPE. ASA SCHEDULE 40.

DESCRIPTION: 5' ALUMINUM SINGLE ARM BRKT w/ 6"x1 1/4" I.D. SLIPFITTER		
TRUCK LOAD QTY:		DRWN: BD
WEIGHT:	18 LBS.	CHKD:
FINISH:	ALUMINUM	QTY:

STOCK CODE:
CUSTOMER:



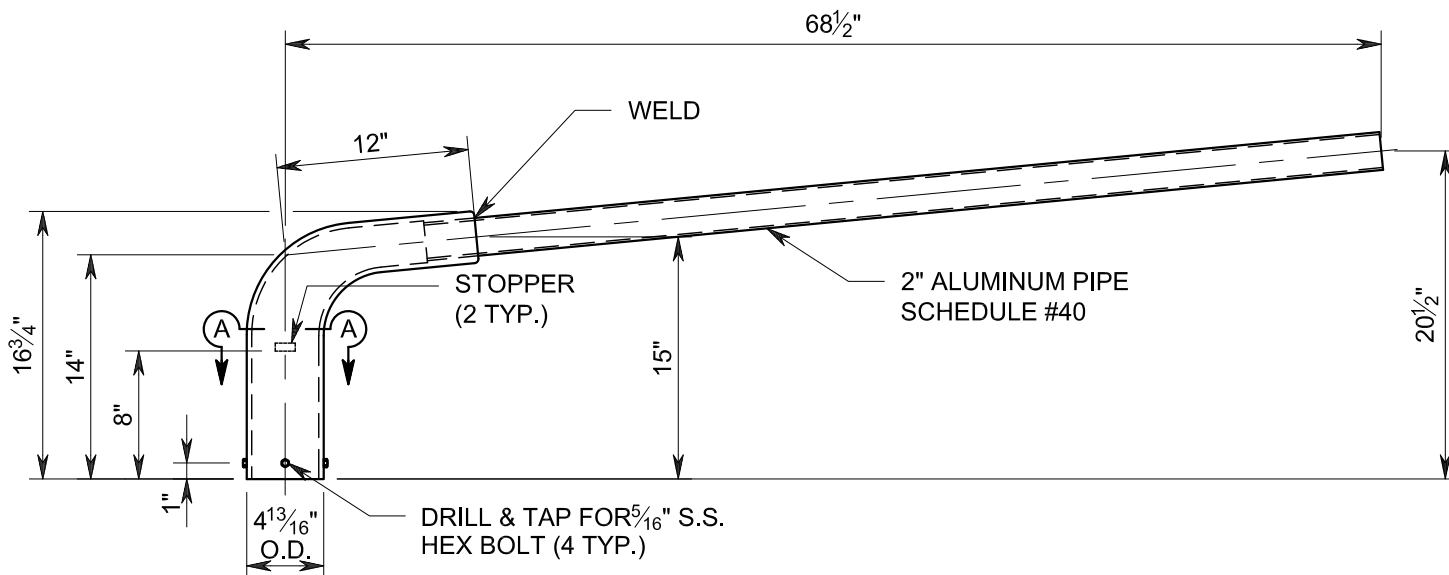
8892 Highway 159 East
Bellville, TX 77418
www.lonestarprestress.com
Tel: (713) 896-0994
Fax: (713) 896-0762

DWG. NO:	CATALOG	REV.
CAT. NO:	966967	DATE: 2/18/20
PROJECT:		

TEXAS PROFESSIONAL ENGINEERS REG. NO. F-9055.

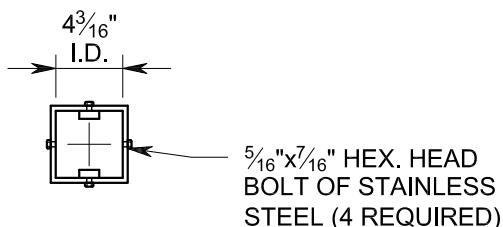
APPROVED BY: DATE:

SAB-6 BRACKET ARM



STREET LIGHT BRACKET DETAIL

SCALE: 1"=1'-0"



SECTION A-A

SCALE: 1"=1'-0"

BRACKET NOTES:

1. COMPLETE ASSEMBLY - THE BRACKET SHALL BE OF A LENGTH TO MOUNT TO A LUMINAIRE APPROXIMATELY SIX FEET FROM CENTER OF POLE AS PER DRAWING.
2. POLE TOP FITTING - THE POLE TOP FITTING SHALL BE CAST ALUMINUM. THE CASTING AND PARTS SHALL BE AS PER DRAWING. CASTING SHALL BE ALUMINUM ALLOY #356-T6 OR TENZOLOY.
3. SUPPORTS - THE LUMINAIRE SUPPORTS SHALL BE MADE OF TWO INCH IPS ALUMINUM PIPE. ASA SCHEDULE 40.

DESCRIPTION: **6' ALUMINUM
SINGLE ARM BRACKET**

TRUCK LOAD QTY:	DRWN: BD	CHKD:
WEIGHT: 18 LBS.	QTY:	
FINISH: ALUMINUM		

STOCK CODE:
CUSTOMER:

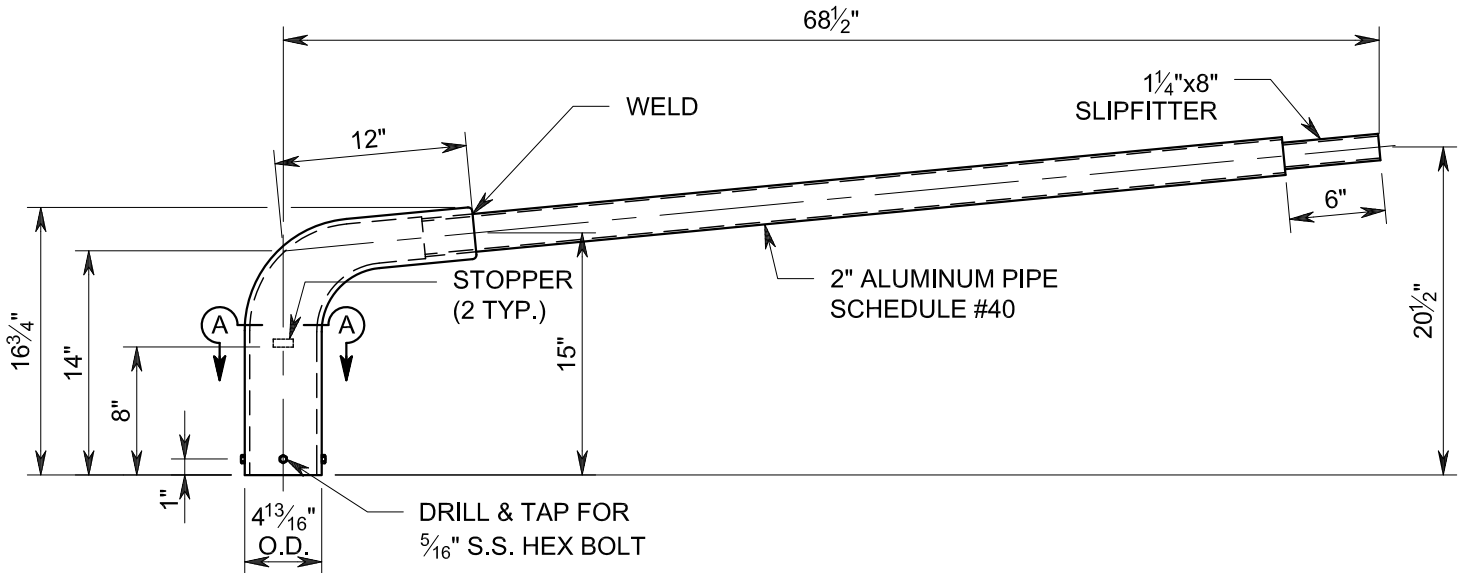


8892 Highway 159 East
Bellville, TX 77418
www.lonestarprestress.com
Tel: (713) 896-0994
Fax: (713) 896-0762

DWG. NO:	CATALOG	REV.
CAT. NO:	966967-SF	DATE: 2/18/20
PROJECT:		

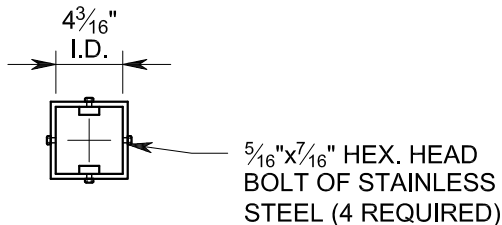
TEXAS PROFESSIONAL ENGINEERS REG. NO. F-9055.
APPROVED BY: _____ DATE: _____

SAB-6 BRACKET ARM



STREET LIGHT BRACKET DETAIL

SCALE: 1"=1'-0"



SECTION A-A

SCALE: 1"=1'-0"

BRACKET NOTES:

1. COMPLETE ASSEMBLY - THE BRACKET SHALL BE OF A LENGTH TO MOUNT TO A LUMINAIRE APPROXIMATELY SIX FEET FROM CENTER OF POLE AS PER DRAWING.
2. POLE TOP FITTING - THE POLE TOP FITTING SHALL BE CAST ALUMINUM. THE CASTING AND PARTS SHALL BE AS PER DRAWING. CASTING SHALL BE ALUMINUM ALLOY #356-T6 OR TENZOLOY.
3. SUPPORTS - THE LUMINAIRE SUPPORTS SHALL BE MADE OF TWO INCH IPS ALUMINUM PIPE. ASA SCHEDULE 40 AND 1 -1/4" IPS X 4" SLIPFITTER.

DESCRIPTION: 6' ALUMINUM SINGLE ARM BRKT w/ 6"x1 1/4" I.D. SLIPFITTER		
TRUCK LOAD QTY:		DRWN: BD
WEIGHT:	18 LBS.	CHKD:
FINISH:	ALUMINUM	QTY:

STOCK CODE:

CUSTOMER:



8892 Highway 159 East
Bellville, TX 77418
www.lonestarprestress.com
Tel: (713) 896-0994
Fax: (713) 896-0762

DWG. NO: CATALOG REV.

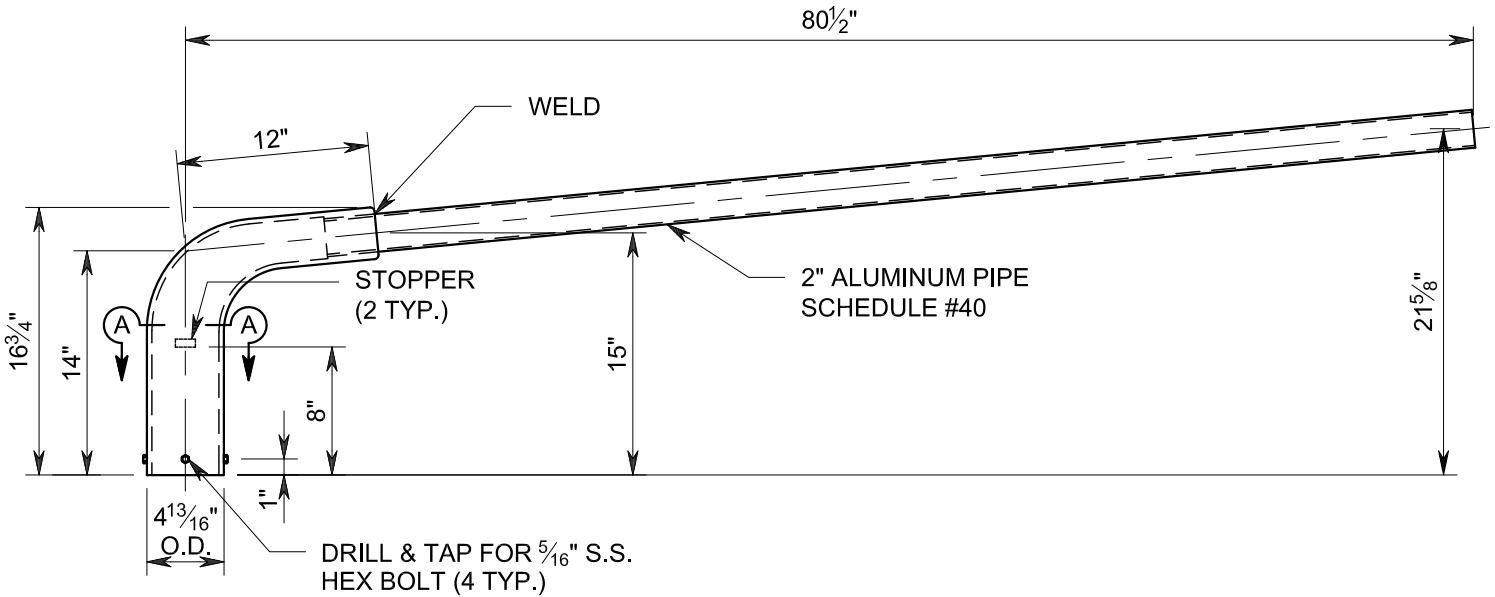
CAT. NO: 966977 DATE: 2/18/20

PROJECT:

TEXAS PROFESSIONAL ENGINEERS REG. NO. F-9055.

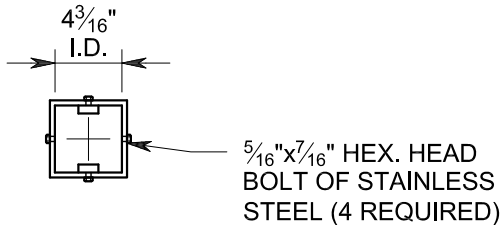
APPROVED BY: DATE:

SAB-7 BRACKET ARM



STREET LIGHT BRACKET DETAIL

SCALE: 1"=1'-0"



SECTION A-A

SCALE: 1"=1'-0"

BRACKET NOTES:

1. COMPLETE ASSEMBLY - THE BRACKET SHALL BE OF A LENGTH TO MOUNT TO A LUMINAIRE APPROXIMATELY SIX FEET FROM CENTER OF POLE AS PER DRAWING.
2. POLE TOP FITTING - THE POLE TOP FITTING SHALL BE CAST ALUMINUM. THE CASTING AND PARTS SHALL BE AS PER DRAWING. CASTING SHALL BE ALUMINUM ALLOY #356-T6 OR TENZOLOY.
3. SUPPORTS - THE LUMINAIRE SUPPORTS SHALL BE MADE OF TWO INCH IPS ALUMINUM PIPE. ASA SCHEDULE 40.

DESCRIPTION: 7' ALUMINUM SINGLE ARM BRACKET

TRUCK LOAD QTY:	DRWN: BD	CHKD:
WEIGHT: 19 LBS.	QTY:	
FINISH: ALUMINUM		

STOCK CODE:
CUSTOMER:

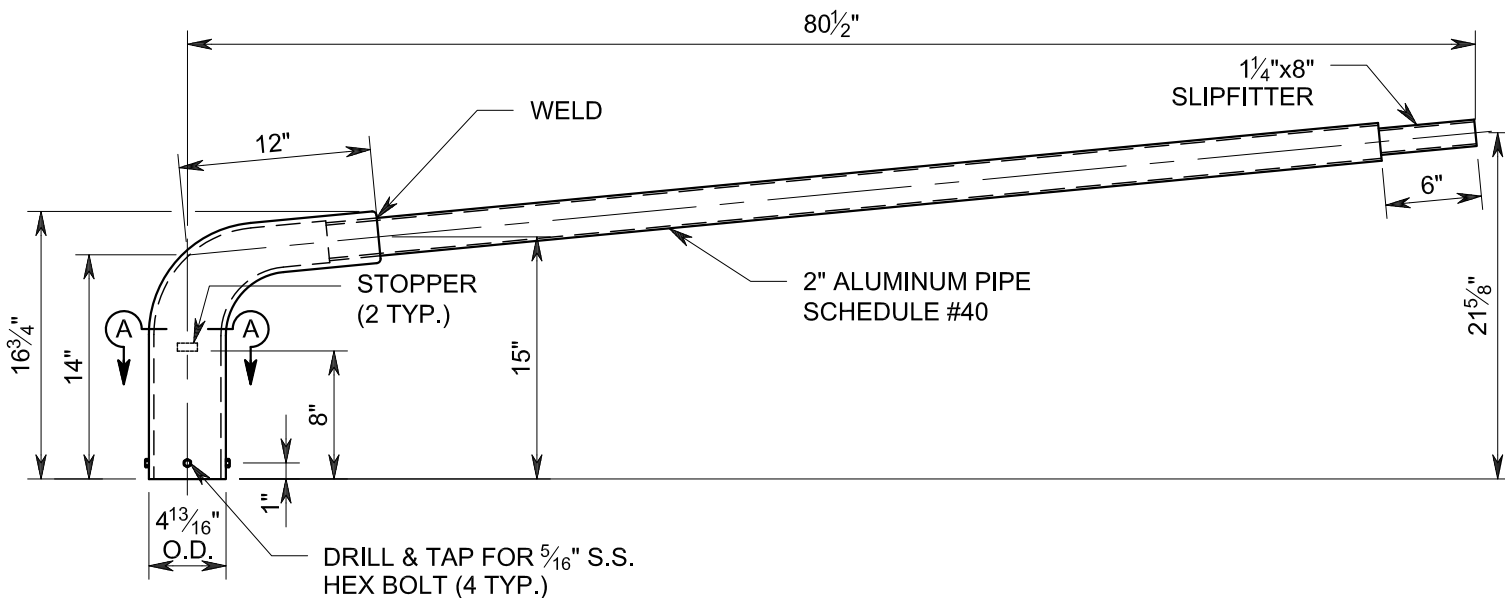


8892 Highway 159 East
Bellville, TX 77418
www.lonestarprestress.com
Tel: (713) 896-0994
Fax: (713) 896-0762

DWG. NO:	CATALOG	REV.
CAT. NO:	966977-SF	DATE: 2/18/20
PROJECT:		

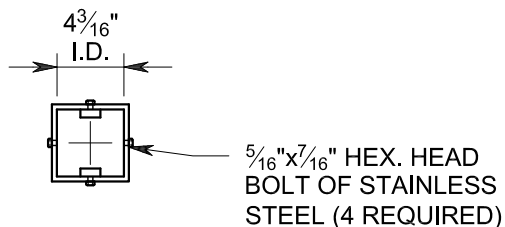
TEXAS PROFESSIONAL ENGINEERS REG. NO. F-9055.	
APPROVED BY:	DATE:

SAB-7 BRACKET ARM



STREET LIGHT BRACKET DETAIL

SCALE: 1"=1'-0"



SECTION A-A

SCALE: 1"=1'-0"

BRACKET NOTES:

1. COMPLETE ASSEMBLY - THE BRACKET SHALL BE OF A LENGTH TO MOUNT TO A LUMINAIRE APPROXIMATELY SIX FEET FROM CENTER OF POLE AS PER DRAWING.
2. POLE TOP FITTING - THE POLE TOP FITTING SHALL BE CAST ALUMINUM. THE CASTING AND PARTS SHALL BE AS PER DRAWING. CASTING SHALL BE ALUMINUM ALLOY #356-T6 OR TENZOLOY.
3. SUPPORTS - THE LUMINAIRE SUPPORTS SHALL BE MADE OF TWO INCH IPS ALUMINUM PIPE. ASA SCHEDULE 40.

DESCRIPTION:
**7' ALUMINUM SINGLE ARM BRKT
w/ 6"x1 1/4" I.D. SLIPFITTER**

TRUCK LOAD QTY:	DRWN: BD	CHKD:
WEIGHT: 18 LBS.	QTY:	
FINISH: ALUMINUM		