

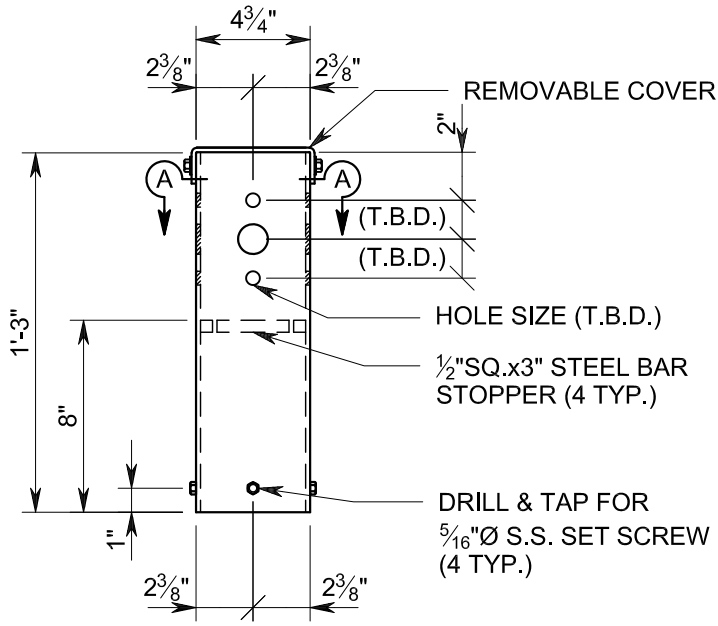
STOCK CODE:
CUSTOMER:



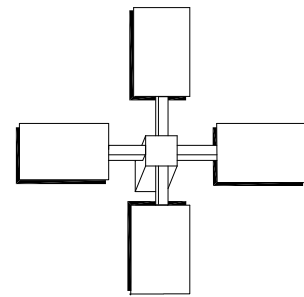
8892 Highway 159 East
Bellville, TX 77418
www.lonestarprestress.com
Tel: (713) 896-0994
Fax: (713) 896-0762

DWG. NO:	CATALOG	REV.
CAT. NO:	971848 PC	DATE: 2/18/20
PROJECT:		

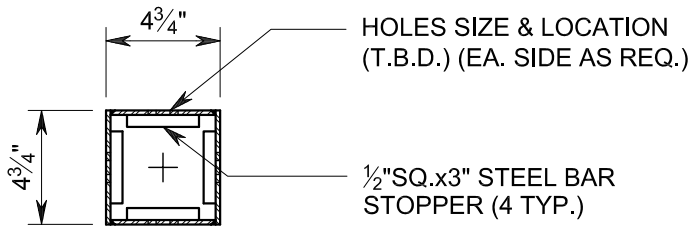
TEXAS PROFESSIONAL ENGINEERS REG. NO. F-9055.
APPROVED BY: _____ DATE: _____



ELEV. VIEW
SCALE: 3/4"=1'-0"



**TOP VIEW
MOUNTING PLAN**
(1 TO 4 LIGHTS)
4 LIGHTS SHOWN



SECTION A-A
SCALE: 3/4"=1'-0"

NOTES:

1. ALL PARTS TO BE GALVANIZED STEEL.
2. MATERIAL TO BE 3/16" STEEL UNLESS OTHERWISE NOTED.
3. INSTALL 1/4" S.S. BOLTS IN COVER AFTER GALVANIZING

DESCRIPTION: **TYPE I POLE CAP
(1 TO 4 MOUNTS)**

TRUCK LOAD QTY:		DRWN: BD	CHKD:
WEIGHT:	14 LBS.	QTY:	
FINISH:	GALVANIZED STEEL		

STOCK CODE:

CUSTOMER:



8892 Highway 159 East
Bellville, TX 77418
www.lonestarprestress.com
Tel: (713) 896-0994
Fax: (713) 896-0762

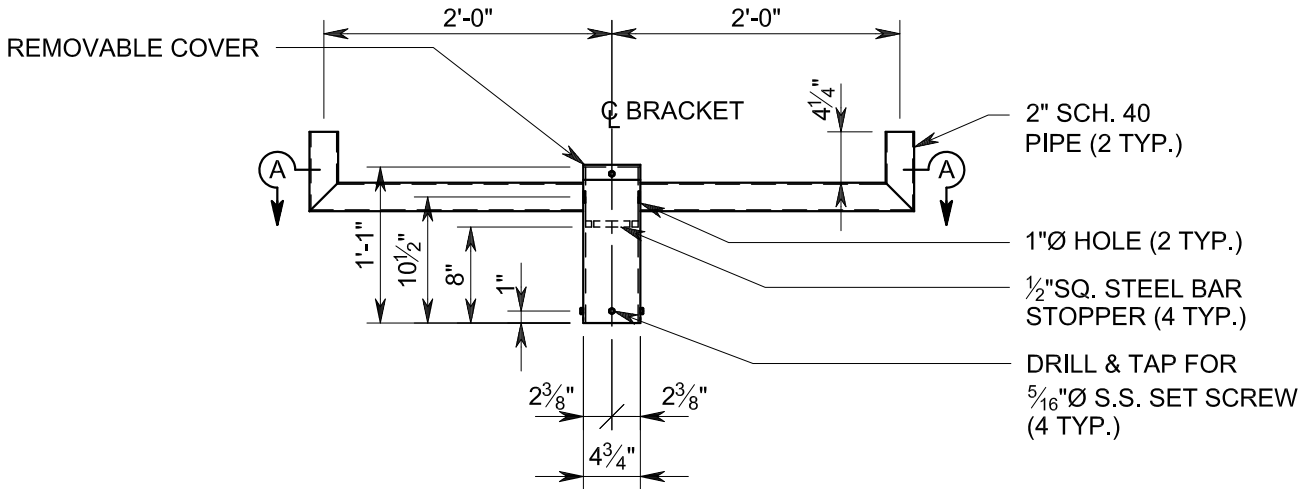
DWG. NO: CATALOG REV.

CAT. NO: 967879 DATE: 2/18/20

PROJECT:

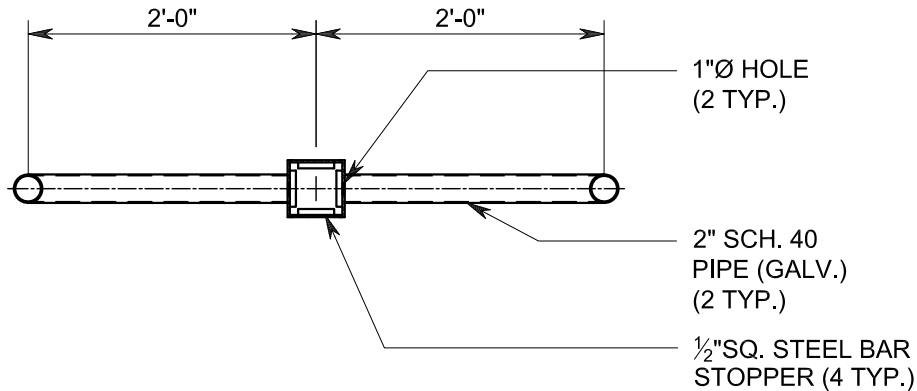
TEXAS PROFESSIONAL ENGINEERS REG. NO. F-9055.

APPROVED BY: DATE:



ELEV. VIEW

SCALE: 3/4"=1'-0"



SECTION A-A

SCALE: 3/4"=1'-0"

NOTES:

1. ALL PARTS TO BE GALVANIZED STEEL.
2. MATERIAL TO BE 3/16" STEEL UNLESS OTHERWISE NOTED.
3. INSTALL 1/4" S.S. BOLTS IN COVER AFTER GALVANIZING

DESCRIPTION: **TYPE I DOUBLE TENON BULLHORN**

TRUCK LOAD QTY:	DRWN: BD	CHKD:
WEIGHT: 39 LBS.	QTY:	
FINISH: GALVANIZED STEEL		