

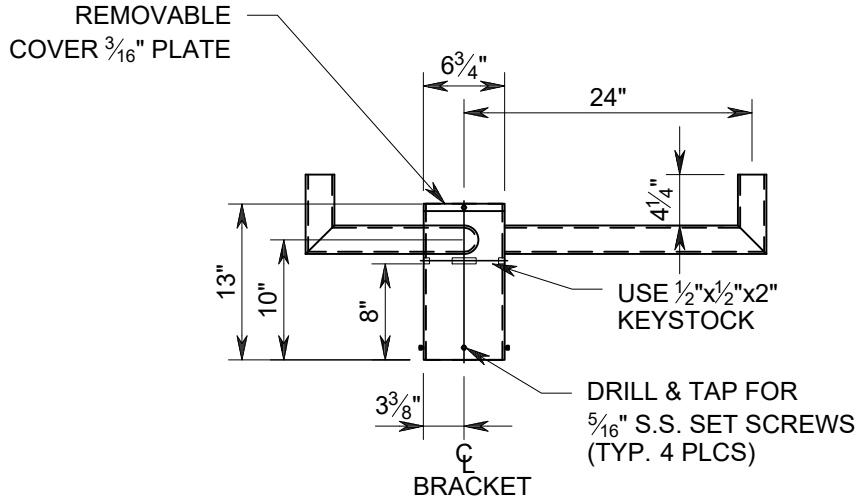
STOCK CODE:
CUSTOMER:



8892 Highway 159 East
Bellville, TX 77418
www.lonestarprestress.com
Tel: (713) 896-0994
Fax: (713) 896-0762

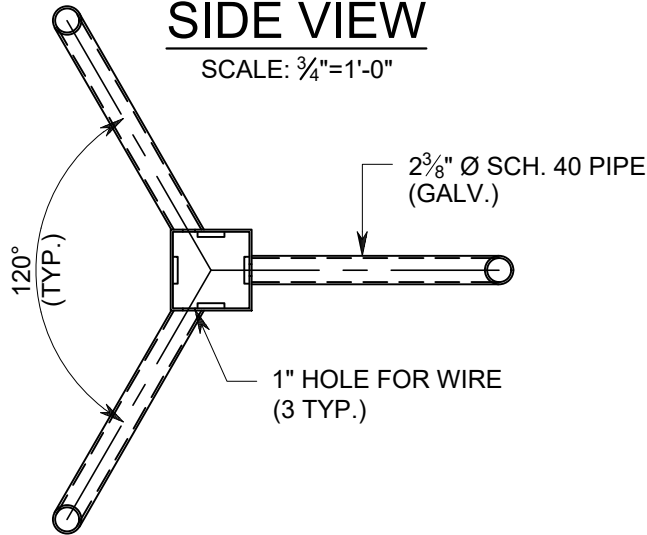
DWG. NO:	CATALOG	REV.:
CAT. NO:	972879	DATE:
PROJECT:	10/28/21	

TEXAS PROFESSIONAL ENGINEERS REG. NO. F-9055.
APPROVED BY: _____ DATE: _____



SIDE VIEW

SCALE: $\frac{3}{4}$ "=1'-0"



TOP VIEW

SCALE: $\frac{3}{4}$ "=1'-0"

NOTES:

1. ALL PARTS TO BE GALVANIZED STEEL.
2. MATERIAL TO BE $\frac{3}{16}$ " STEEL UNLESS OTHERWISE NOTED.
3. INSTALL ALL $\frac{1}{4}$ " S.S. BOLTS IN COVER AFTER GALVANIZING

DESCRIPTION: TYPE II/III TRIPLE TENON BULLHORN		
TRUCK LOAD QTY:	DRWN: KC	CHKD:
WEIGHT:	QTY:	
FINISH: GALVANIZED STEEL		