

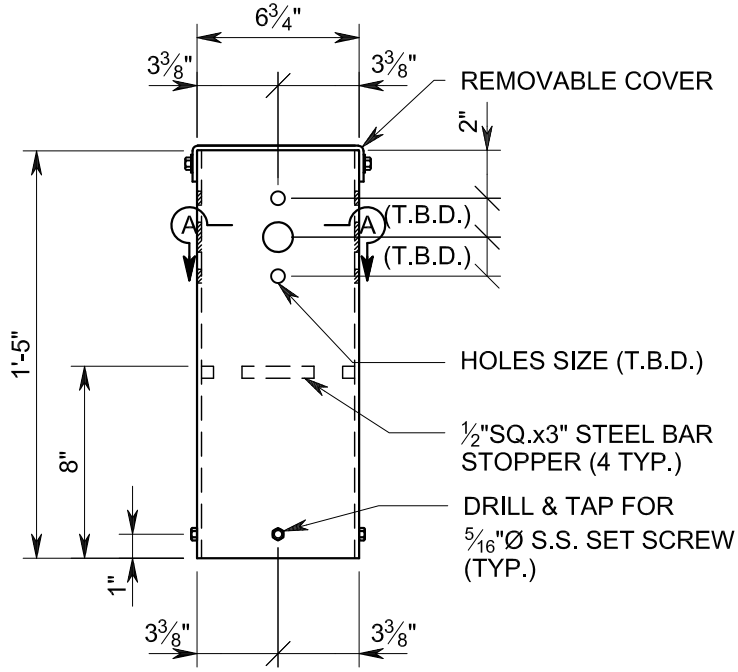
STOCK CODE:
CUSTOMER:



8892 Highway 159 East
Bellville, TX 77418
www.lonestarprestress.com
Tel: (713) 896-0994
Fax: (713) 896-0762

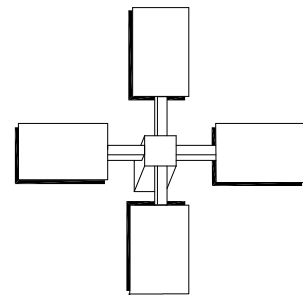
DWG. NO:	CATALOG	REV.
CAT. NO:	973848 PC	DATE: 2/18/20
PROJECT:		

TEXAS PROFESSIONAL ENGINEERS REG. NO. F-9055.	
APPROVED BY:	DATE:



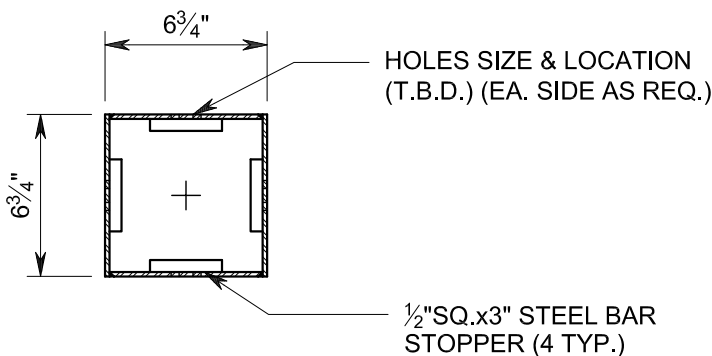
ELEV. VIEW

SCALE: 1 1/2"=1'-0"



**TOP VIEW
MOUNTING PLAN**

(1 TO 4 LIGHTS)
4 LIGHTS SHOWN



SECTION A-A

SCALE: 1 1/2"=1'-0"

NOTES:

1. ALL PARTS TO BE GALVANIZED STEEL.
2. MATERIAL TO BE 3/16" STEEL UNLESS OTHERWISE NOTED.
3. INSTALL 1/4" S.S. BOLTS IN COVER AFTER GALVANIZING

DESCRIPTION: TYPE II / III POLE CAP
(1 TO 4 MOUNTS)

TRUCK LOAD QTY:	DRWN: BD	CHKD:
WEIGHT: 16 LBS.	QTY:	
FINISH: GALVANIZED STEEL		

STOCK CODE:

CUSTOMER:



8892 Highway 159 East
Bellville, TX 77418
www.lonestarprestress.com
Tel: (713) 896-0994
Fax: (713) 896-0762

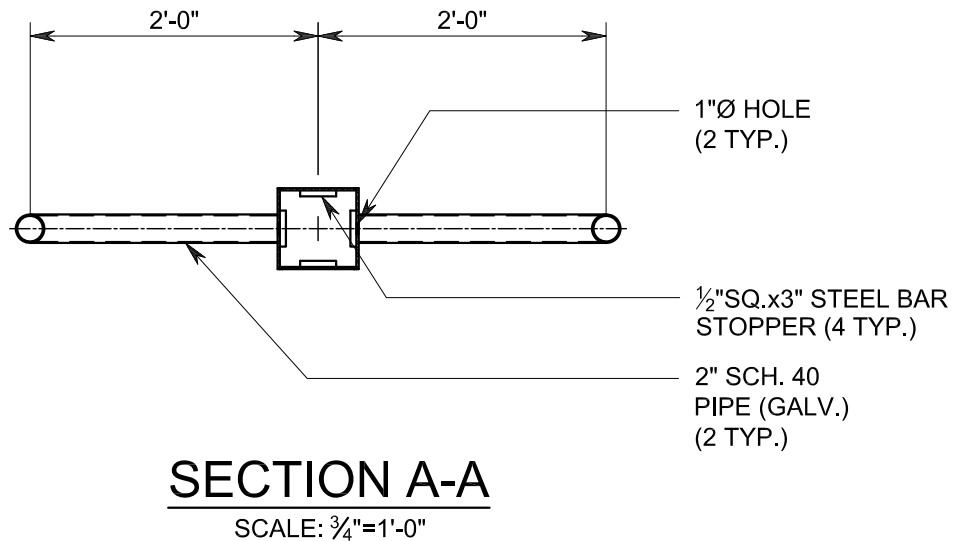
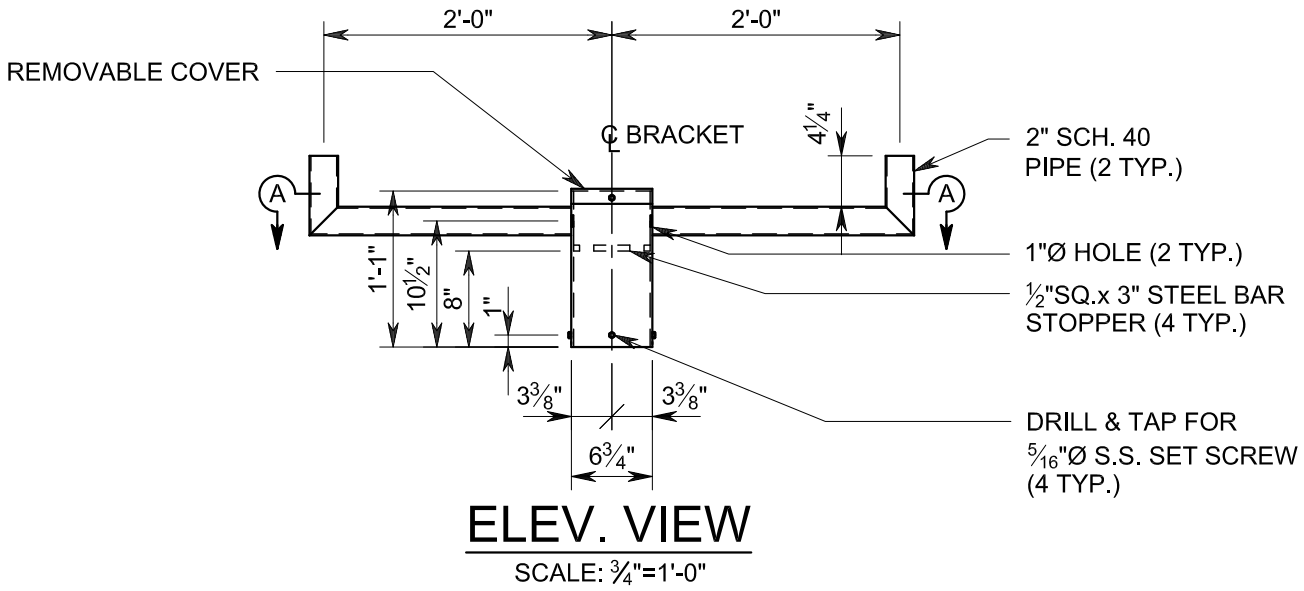
DWG. NO: CATALOG REV.

CAT. NO: 977879 DATE: 2/18/20

PROJECT:

TEXAS PROFESSIONAL ENGINEERS REG. NO. F-9055.

APPROVED BY: DATE:



NOTES:

1. ALL PARTS TO BE GALVANIZED STEEL.
2. MATERIAL TO BE 3/16" STEEL UNLESS OTHERWISE NOTED.
3. INSTALL 1/4" S.S. BOLTS IN COVER AFTER GALVANIZING

DESCRIPTION: **TYPE II / III DOUBLE TENON BULLHORN**

TRUCK LOAD QTY:	DRWN: BD	CHKD:
WEIGHT: 45 LBS.	QTY:	
FINISH: GALVANIZED STEEL		

STOCK CODE:

CUSTOMER:



8892 Highway 159 East
Bellville, TX 77418
www.lonestarprestress.com
Tel: (713) 896-0994
Fax: (713) 896-0762

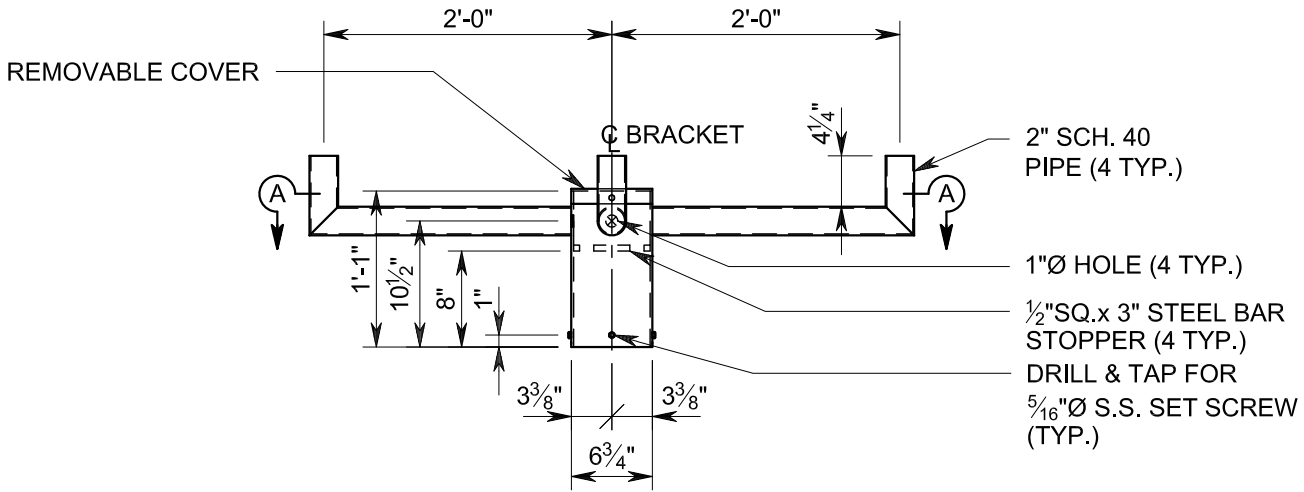
DWG. NO: CATALOG REV.

CAT. NO: 972899 DATE: 2/18/20

PROJECT:

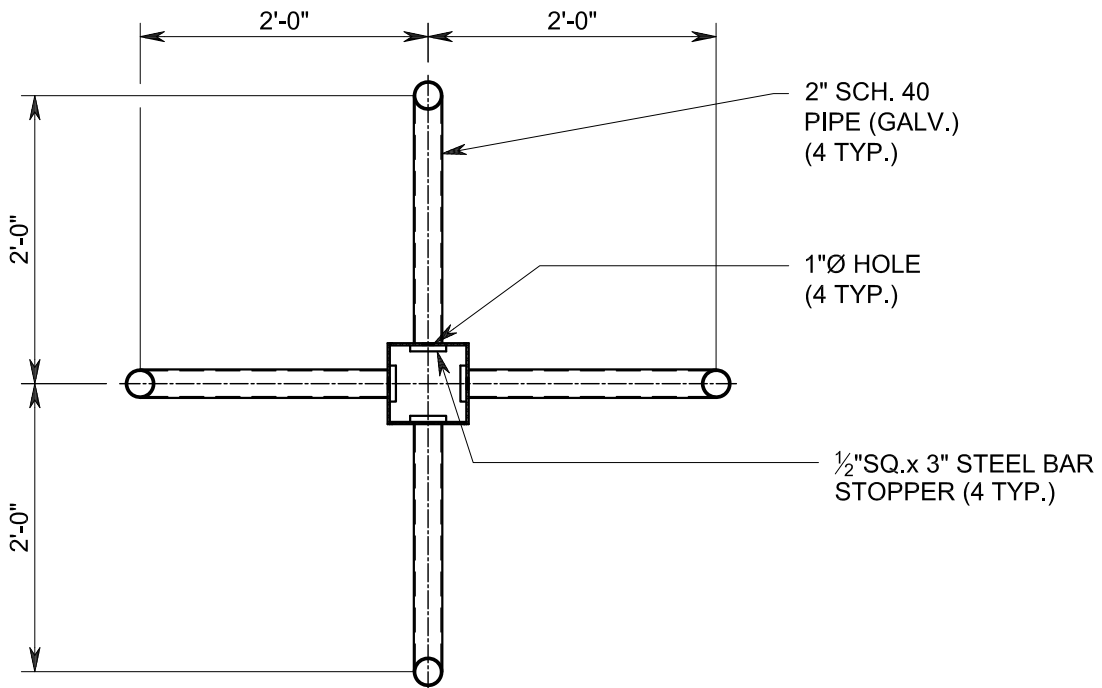
TEXAS PROFESSIONAL ENGINEERS REG. NO. F-9055.

APPROVED BY: DATE:



ELEV. VIEW

SCALE: 3/4"=1'-0"



SECTION A-A

SCALE: 3/4"=1'-0"

NOTES:

1. ALL PARTS TO BE GALVANIZED STEEL.
2. MATERIAL TO BE 3/16" STEEL UNLESS OTHERWISE NOTED.
3. INSTALL 1/4" S.S. BOLTS IN COVER AFTER GALVANIZING

DESCRIPTION: **TYPE II / III QUAD
TENON BULLHORN**

TRUCK LOAD QTY:	DRWN: BD	CHKD:
WEIGHT: 70 LBS.	QTY:	
FINISH: GALVANIZED STEEL		