

ADVANCED CONCRETE *INC.*

PRECAST PRODUCTS

Large Landscape Blocks

V Groove Stamped Bunker Blocks

Bunker Blocks

Fire Pits

CALL 608-849-8880 FOR PRICING

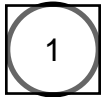
ADVANCED BLOCK

4" Deep Quarry Stone Texture

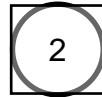


CALL 608-849-8880 FOR PRICING

ADVANCED BLOCK

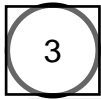
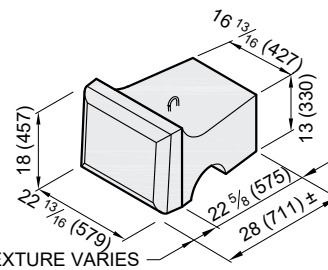
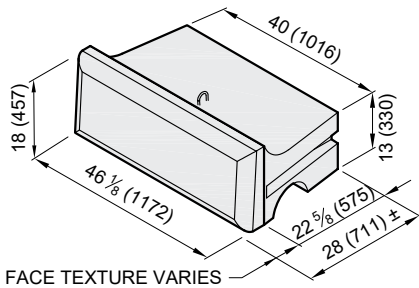


1 Planter Top Full BL 1

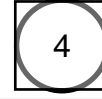


2 Planter Top Half BL 2

Block Weight:	1230 lb (557 kg)	1160 lb (530 kg)	Block Weight:	570 lb (260 kg)	540 lb (240 kg)
Block Volume:	8.57 ft ³ (0.243 m ³)	8.07 ft ³ (0.229 m ³)	Block Volume:	4.01 ft ³ (0.113 m ³)	3.76 ft ³ (0.106 m ³)
Center of Gravity:	14.9" (378mm)	14.2" (362mm)	Center of Gravity:	15.3" (389 mm)	14.7" (373 mm)

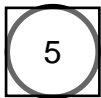
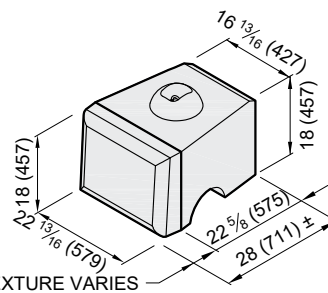
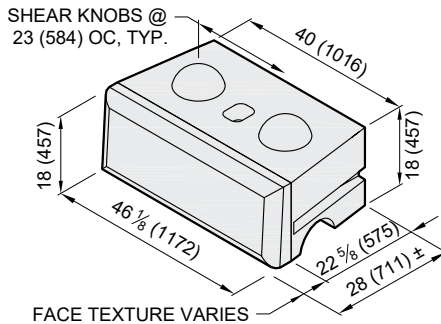


3 Middle Full BL 3

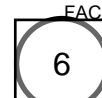


4 Middle Half BL 4

Block Weight:	1610 lb (730 kg)	1540 lb (700 kg)	Block Weight:	750 lb (340 kg)	710 lb (320 kg)
Block Volume:	11.28 ft ³ (0.319 m ³)	10.78 ft ³ (0.305 m ³)	Block Volume:	5.23 ft ³ (0.148 m ³)	4.98 ft ³ (0.141 m ³)
Center of Gravity:	13.9" (354 mm)	13.4" (340 mm)	Center of Gravity:	14.3" (364 mm)	13.8" (350 mm)

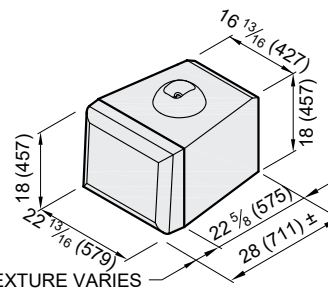
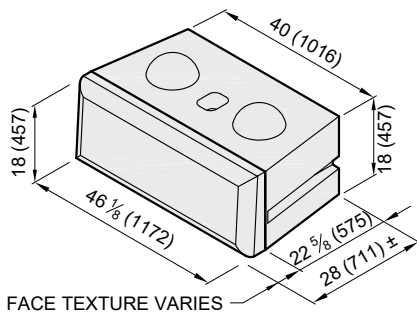


5 Bottom Full BL 5



6 Bottom Half BL 6

Block Weight:	1740 lb (790 kg)	1670 lb (760 kg)	Block Weight:	810 lb (370 kg)	770 lb (350 kg)
Block Volume:	12.19 ft ³ (0.345 m ³)	11.70 ft ³ (0.331 m ³)	Block Volume:	5.66 ft ³ (0.160 m ³)	5.41 ft ³ (0.153 m ³)
Center of Gravity:	14.0" (355 mm)	13.5" (343 mm)	Center of Gravity:	14.3" (364 mm)	13.8" (352 mm)

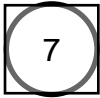


1. Units for dimensions are inches (mm), typical unless noted otherwise.
2. Block production varies with each licensed Redi-Rock manufacturer. Confirm availability before Specifying or Ordering.
3. Center of Gravity is measured from the back of block.
4. Actual block volumes and weights may vary.

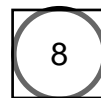
5. Weights are based upon a concrete density of 143 lb/ft³ (2291kg/m³).
6. Half blocks contain a fork slot on only one side of the block.
7. Interface Shear knobs are typically 10" (254mm) diameter by 4" (102mm) tall. Smaller knob diameters are available.

CALL 608-849-8880 FOR PRICING

ADVANCED BLOCK



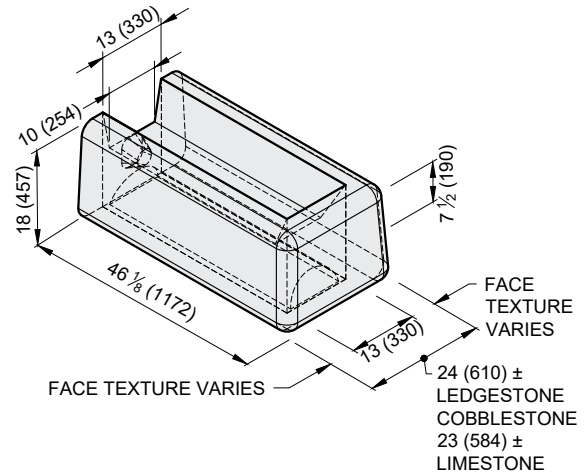
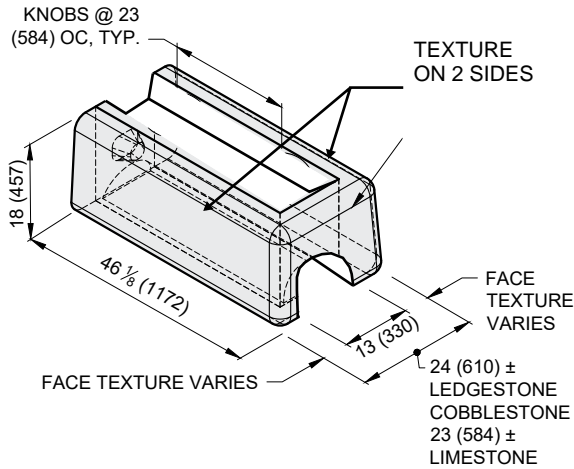
Top Wall Middle Planter Full **BL 7**



Top Wall End Planter Full **BL 8**

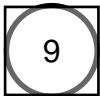
Block Weight: 1370 lb (620 kg) 1360 lb (620 kg)
 Block Volume: 9.6 ft³ (0.27m³) 9.5 ft³ (0.27m³)

Block Weight: 1070 lb (480 kg) 1060 lb (480 kg)
 Block Volume: 7.5 ft³ (0.21m³) 7.4 ft³ (0.21m³)

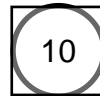


Block Weight: 660 lb (300 kg)
 Block Volume: 4.59 ft³ (0.130 m³)

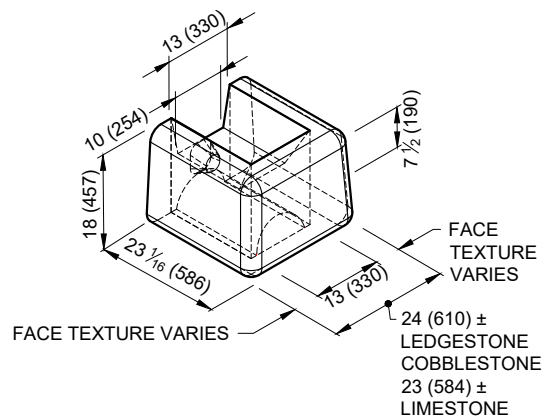
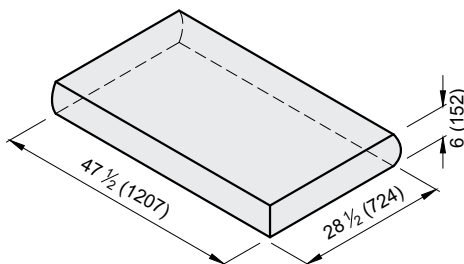
Block Weight: 530 lb (240 kg) 530 lb (240 kg)
 Block Volume: 3.7 ft³ (0.11m³) 3.7 ft³ (0.10m³)



Step/Wall Top 3 Sided **BL 9**



Top Wall End Planter Half **BL 10**

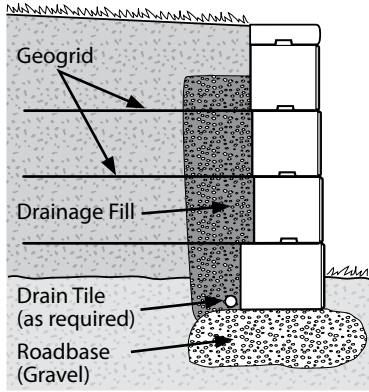


CALL 608-849-8880 FOR PRICING

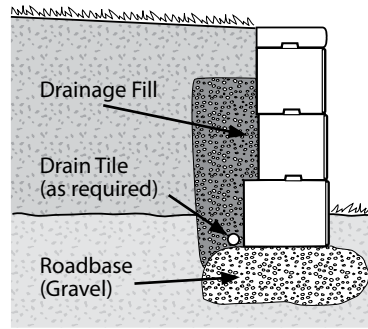
ADVANCED BLOCK

Installation Information

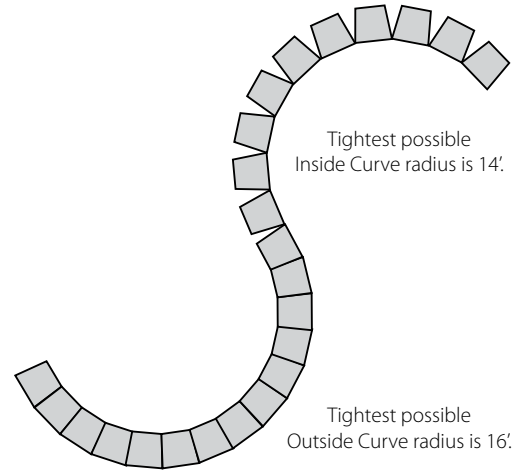
8 Foot Wall or Higher (Rib Rock)



6 Foot Wall (Rib Rock)

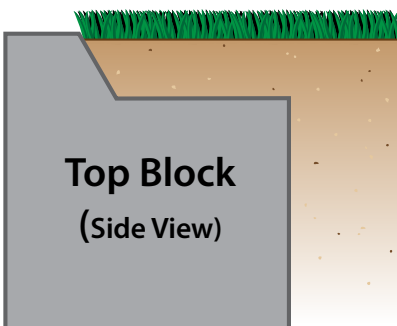


Curves



Site conditions may require Geogrid at 6'. Refer to site specific Engineering section.

28" BOTTOM BLOCK	28" BOTTOM HALF BLOCK	28" MIDDLE BLOCK	28" MIDDLE HALF BLOCK	28" TOP BLOCK	28" TOP HALF BLOCK
TOP VIEW	TOP VIEW	TOP VIEW	TOP VIEW	TOP VIEW	TOP VIEW
SIDE VIEW	SIDE VIEW	SIDE VIEW	SIDE VIEW	SIDE VIEW	SIDE VIEW



CORNER TOP BLOCK	CORNER TOP HALF BLOCK	TOP MIDDLE PLANTER
TOP VIEW	TOP VIEW	TOP VIEW
SIDE VIEW	SIDE VIEW	END VIEW

CALL 608-849-8880 FOR PRICING

STAMPED BUNKER BLOCK

Stamped bunker blocks have a stamped limestone 2" deep pattern on the outside. These are more economical than our traditional decorative landscape blocks, yet still have a pleasing appearance. These most commonly would be used for a retaining wall but can also be used for dead weights, traffic barriers, or bunker walls. When used as a retaining wall 6' wall cap blocks can be used to cover the v groove on top of the blocks.

PRODUCT CODE: BL216 6 Foot Wall Cap Block

2' DEEP X 8" HEIGHT X 6' LENGTH(2x1x6)
1200#



PRODUCT CODE: BL223LS 3 Foot Stamped Bunker Block

2' DEEP X 2' HEIGHT X 3' LENGTH (2X2X3)
1600#



PRODUCT CODE: BL226LS 6 Foot Stamped Bunker Block

2' DEEP X 2' HEIGHT X 6' LENGTH (2X2X6)
3600#

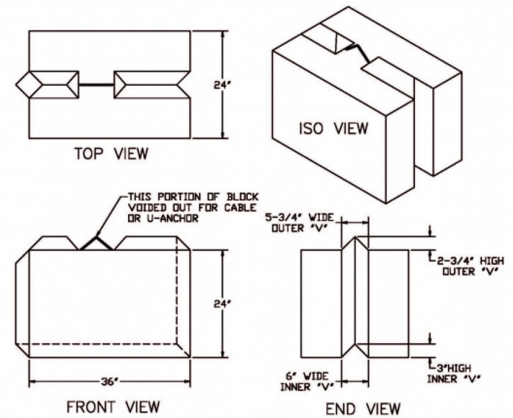


BUNKER BLOCK

Blocks are finished on one side, not intended for decorative exposure. These blocks serve as dead weights, traffic barriers, bunker walls, unfinished earth retaining, building foundations, gate post bases, etc. The possibilities are endless.

PRODUCT CODE: BL223

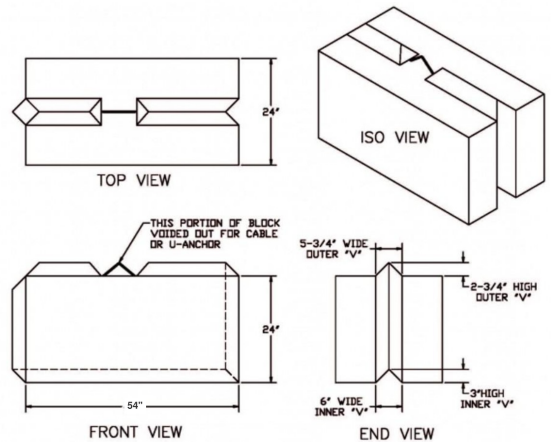
2' DEEP X 2' HEIGHT X 3' LENGTH(2x2x3)
1600#



WEIGHT: 1,800 lbs.
VOLUME: 12.00 CB

PRODUCT CODE: BL224.5

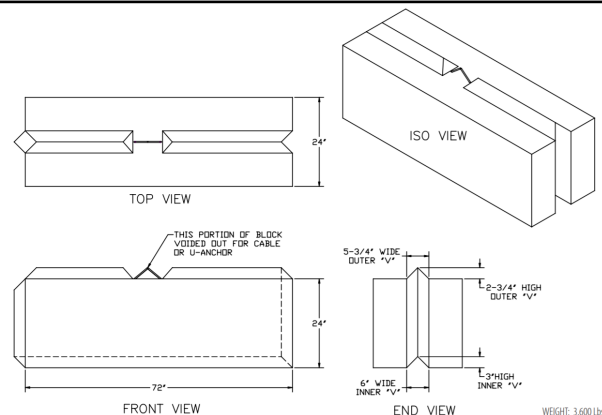
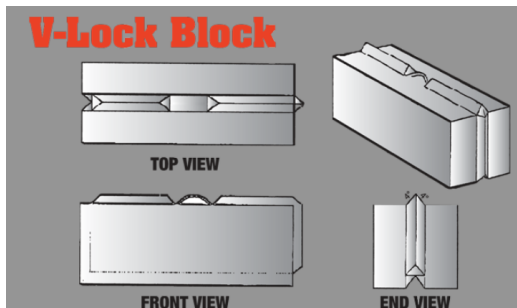
2' DEEP X 2' HEIGHT X 4'6" LENGTH (2X2X4.5)
2600#



WEIGHT: 2,400 lbs.
VOLUME: 16.00 CB

PRODUCT CODE: BL226

2' DEEP X 2' HEIGHT X 6' LENGTH (2X2X6)
3600#



WEIGHT: 3,600 lbs.
VOLUME: 24.00 CB

ADVANCED CONCRETE *INC.*

PRECAST PRODUCTS

Large Landscape Blocks

V Groove Stamped Bunker Blocks

Bunker Blocks

Fire Pits

Advanced Concrete Inc.

Waunakee WI, 53597

(608)849-8880

sales@advanced-concreteinc.com