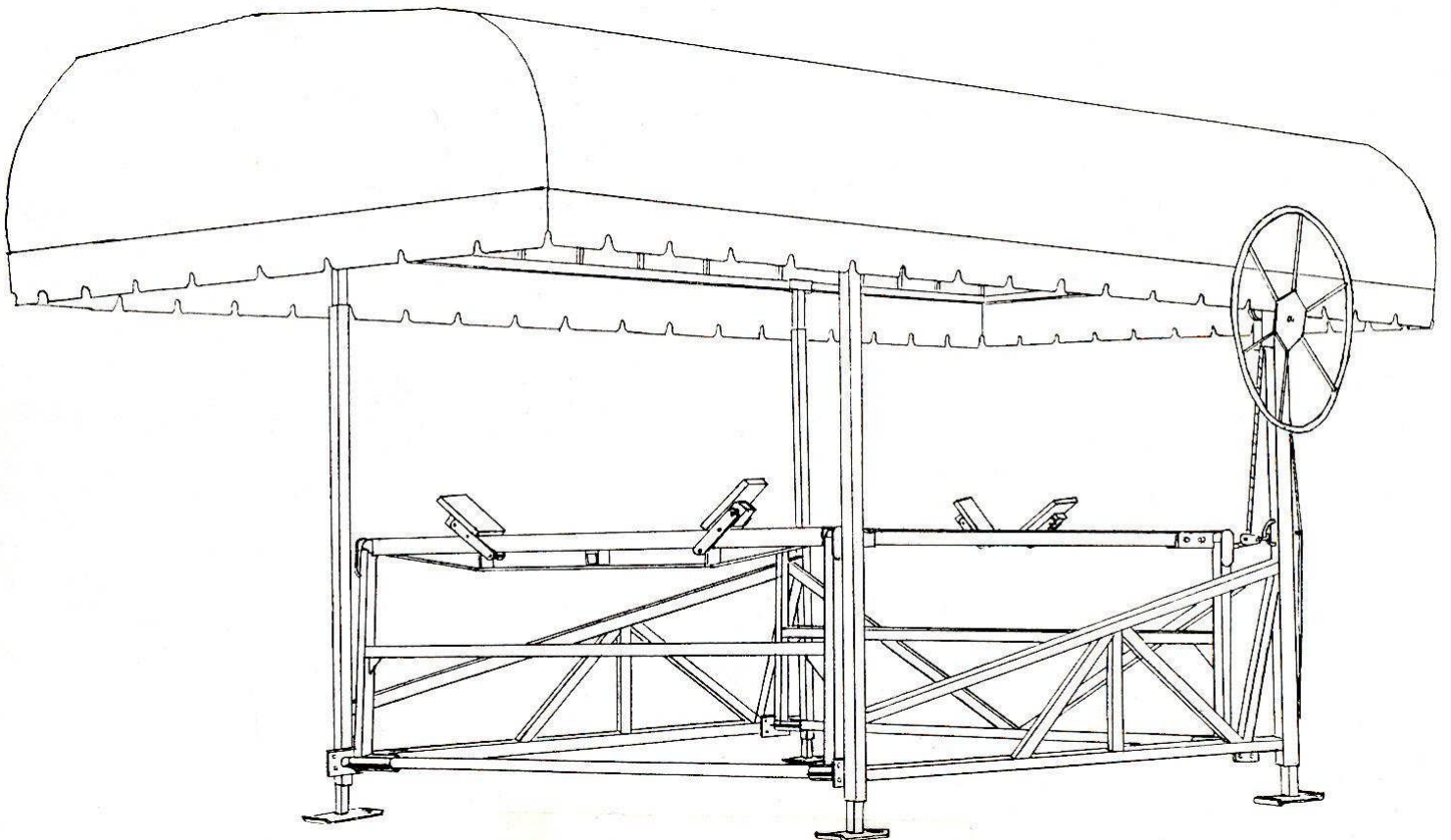




ASSEMBLY INSTRUCTIONS

Cantilever Boat Lift



Winch Instruction Page

Safety Information

1. The winch is built for the multipurpose of hauling and lifting operations. It is not to be used as a hoist for lifting, supporting or transporting people, or for loads over areas where people could be present.
2. The winch should be operated and maintained in accordance with the instructions. Never allow children or anyone who is not familiar with the operation of the winch to use it. A winch accident could result in injury.
3. Check the winch for proper operation on each use. Do not use if damaged and seek immediate repairs.
4. Never exceed the rated capacity. An excess load could cause failure and may result in injury.
5. Never apply a load on the winch with the cable fully extended. Keep at least three full turns of cable on the reel.
6. Secure load properly.

Winch Mounting

When mounting the winch to the Vibo lifts, be sure that the winch wheel hub is facing out away from the lift. Slide the winch on using the easy to use winch slide brackets, as illustrated further in the instructions.

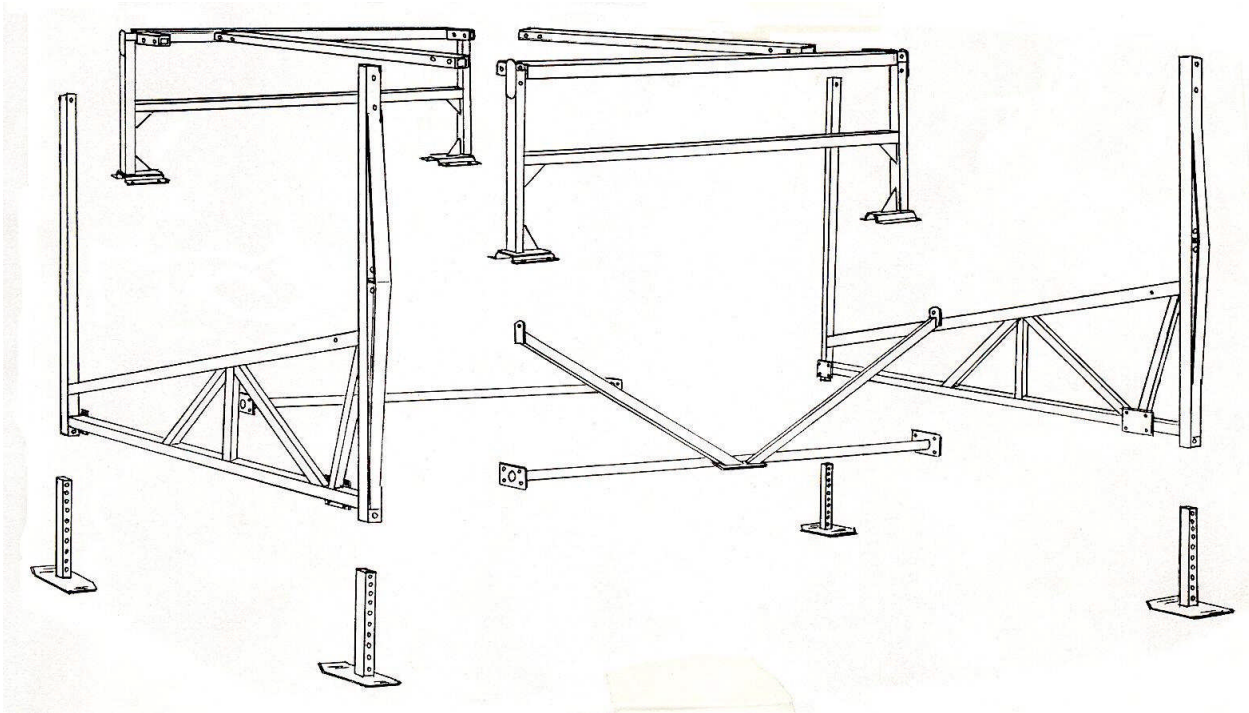
Assembly

Thread the winch wheel onto the winch drive shaft, be certain that a clicking sound is produced when the winch wheel is turned clockwise. Install the spring, shaft extension, washer and bolt on the end of the drive shaft. These parts may appear to serve no function, but they provide several important fail-safe features and should not be altered or removed.

Operating Instructions

Wind the cable on the winch reel by turning the winch wheel in a clockwise direction. This should produce a sharp loud clicking sound. The load will remain in position when the winch wheel is released. Wind cable off the winch reel by turning the winch wheel counter-clockwise (no noise will be produced). The load will remain in position when the winch wheel is released, but for extra security it is recommended that the wheel be turned clockwise at least two clicks. This will add extra tightness to the brake mechanism. Always satisfy yourself that the winch is holding the load before releasing the winch wheel.

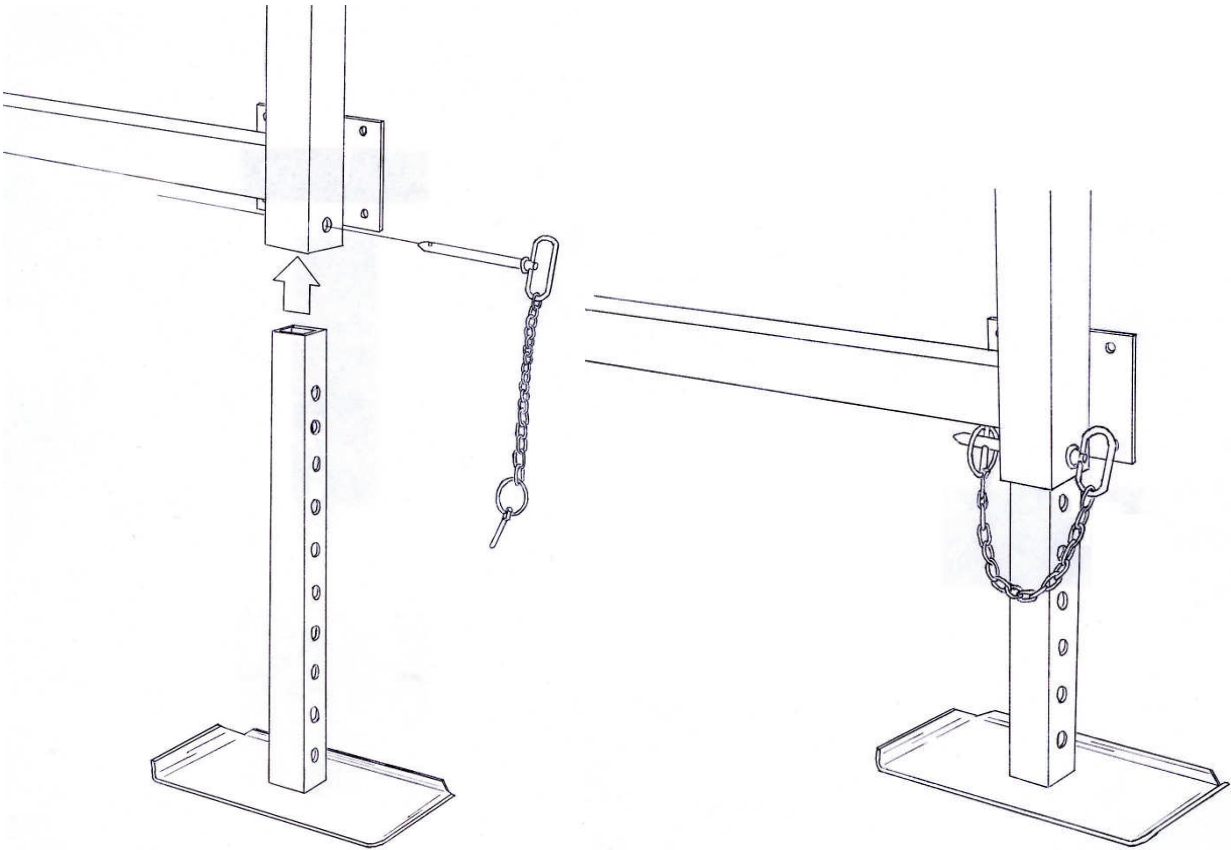
Overview Picture of the Parts



Procedure 1

(Step 1) Insert the adjustable lift legs in the bottom of the lift side frames. On larger lifts the bigger lift legs go on the winch end of the lift and smaller legs go on the end facing the lake.

(Step 2) To adjust the legs lift side frame to the desired height and insert pin. Clip the spring loaded lock on the pin to keep it from falling out, as shown below.



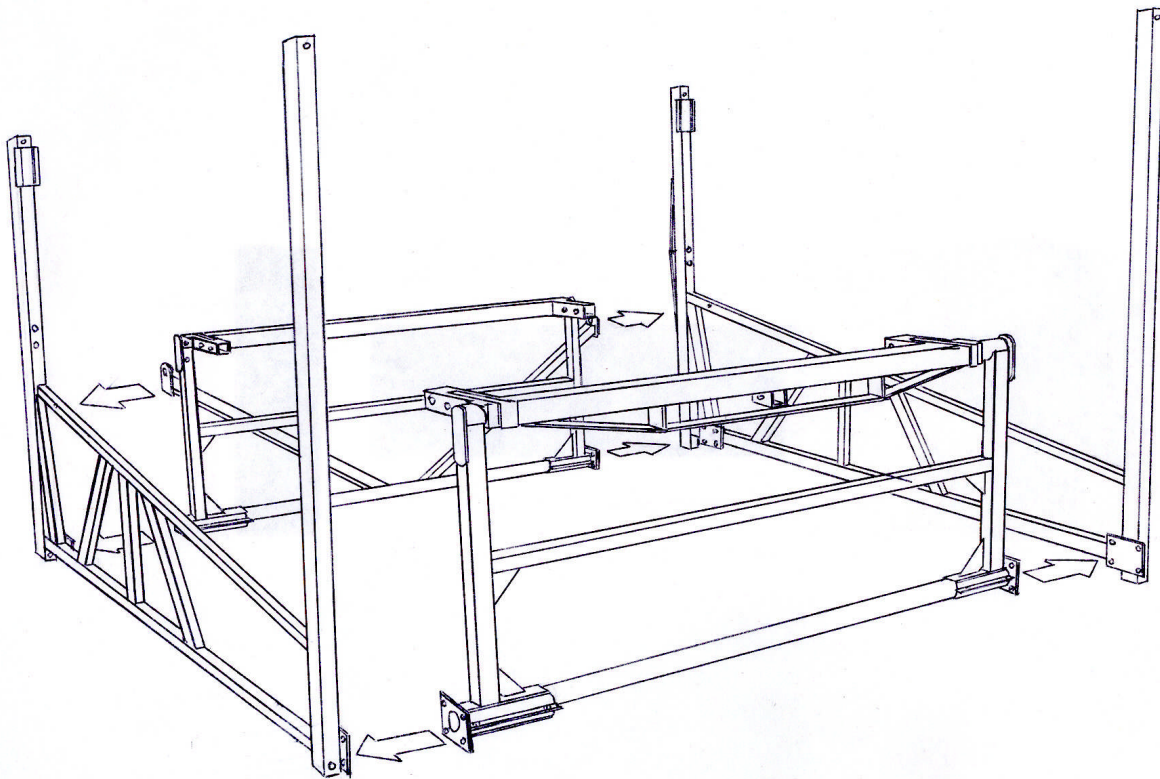
Procedure 2

(Step 3) Decide which side of the lift that you would like the winch located and slide into the winch slide brackets, as illustrated below. Be sure that the winch shaft hub is facing the outside of the lift. For ease of assembly, it is best to mount the winch onto the side frames before raising the lift side frames into upright position.

Procedure 3

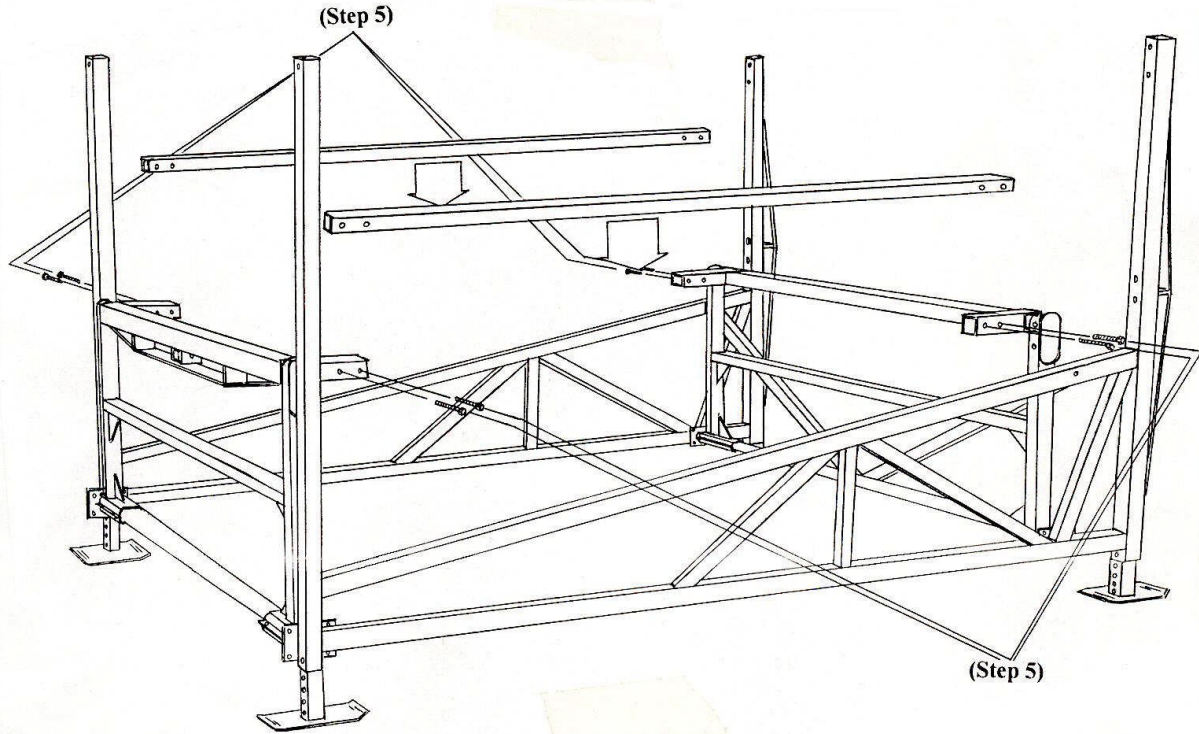
(Step 4) Stand the two side frames up and place the middle sections in between the side frames. The middle frame with the support brace, whether it is a v-brace for a boat or a low profile for pontoons, gets bolted on the winch end of the lift. Make sure that the support brace is mounted on facing the outside of the lift and the platform upright faces the inside. Mount the middle frame with the support strap and strait pipe on the end facing the lake. Be sure that when the platform load beam is in place the runner connecting tubes are facing the inside of the lift and the support strap is facing down. Using four 3/8" x 1" bolts on each of the four connecting spots, bolt them together hand tight. Bolt the support brace to the side of the frame, to stabilize the side frame uprights.

****Do not tighten bolts until the assembly is finished.****



Procedure 4

(Step 5) Insert the two square tubing runners into the middle frame inserts. Using eight $\frac{1}{2}$ " x 3" bolts for the smaller lifts and $\frac{1}{2}$ " x 4" bolts for the larger lifts, bolt the two tubing runners together in the four spots, to create the lift platform.



Procedure 5A

U-Bolt Placement

1800 & 2400lbs. Lift: If the winch is on the LEFT SIDE.

A= DOUBLE LINK U-BOLT, B= SINGLE LINK U-BOLT, C= SINGLE LINK U-BOLT, D= CABLE U-BOLT.

If the winch is on the RIGHT SIDE.

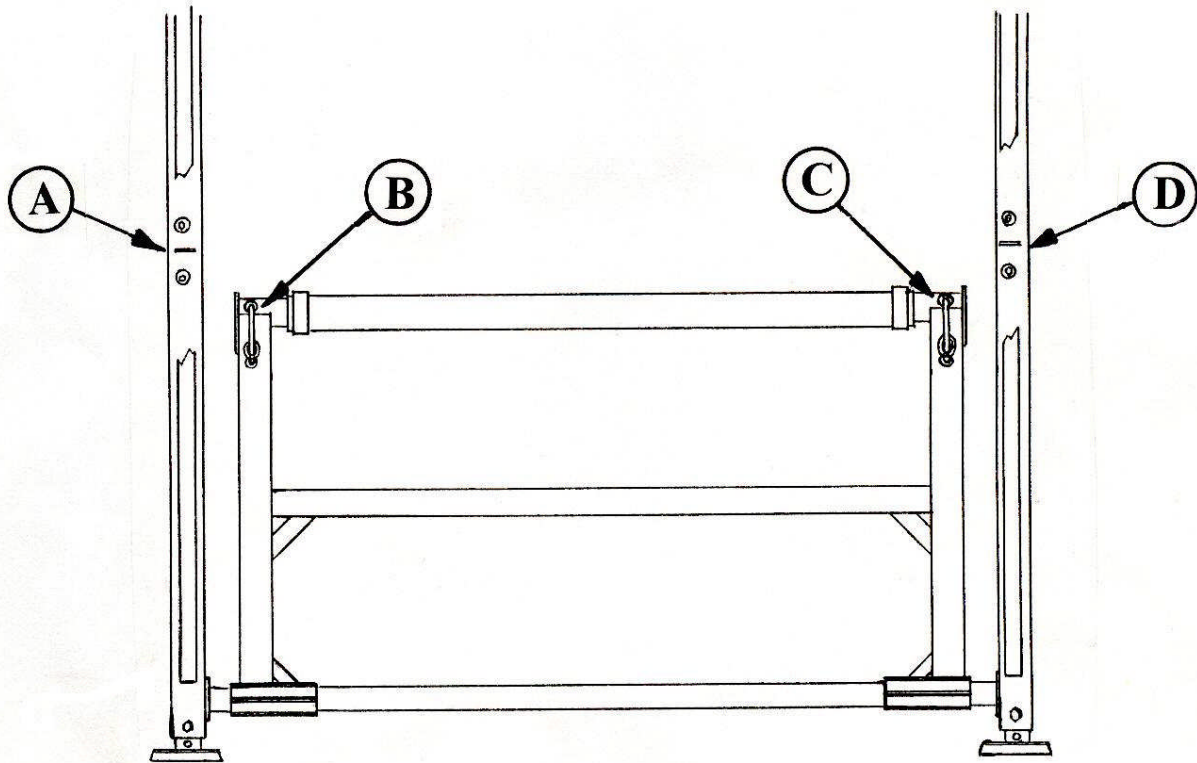
A= CABLE U-BOLT, B= SINGLE LINK U-BOLT, C= SINGLE LINK U-BOLT, D= DOUBLE LINK U-BOLT.

3600lbs. Lift: If the winch is on the LEFT SIDE.

A= DOUBLE LINK U-BOLT, B= SINGLE LINK U-BOLT, C= CABLE & SINGLE LINK U-BOLT, D= SINGLE LINK U-BOLT.

If the winch is on the RIGHT SIDE.

A= SINGLE LINK U-BOLT, B= CABLE & SINGLE LINK U-BOLT, C= SINGLE LINK U-BOLT, D= DOUBLE LINK U-BOLT.



Procedure 5B

For the 1800 and 2400 lifts

(Step 6) After all the U-bolts are on, place $\frac{1}{2}$ " washers on them and fasten down with $\frac{1}{2}$ " nuts, as shown in "figure A". When all the U-bolts are tightened, string the cable through the pulleys on the middle frame, then over to the two linked U-bolt pulley, and up to the winch.

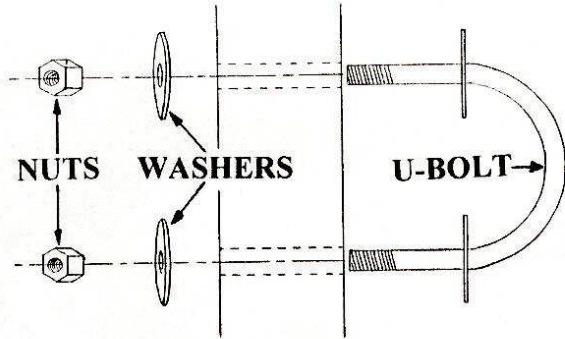
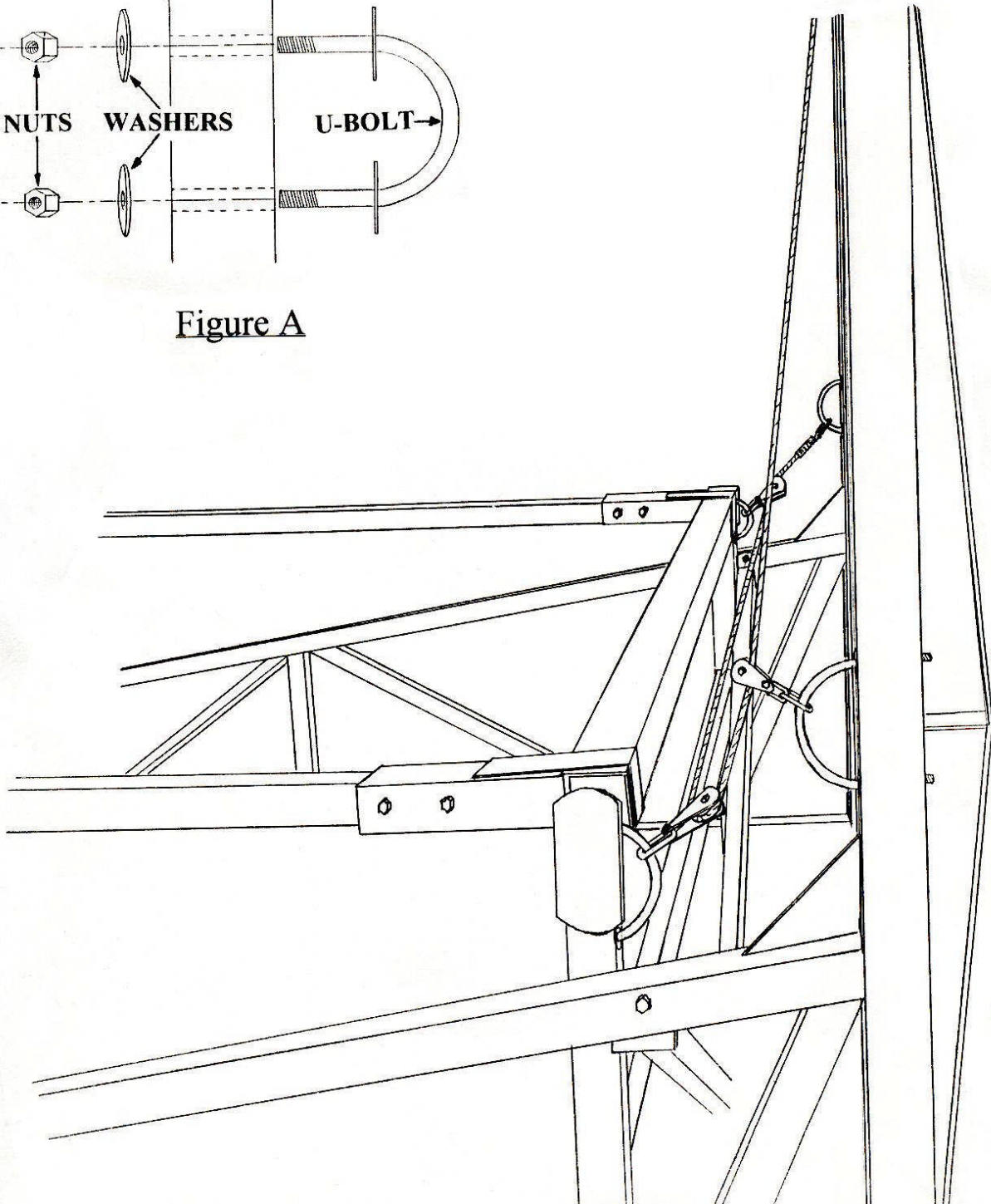


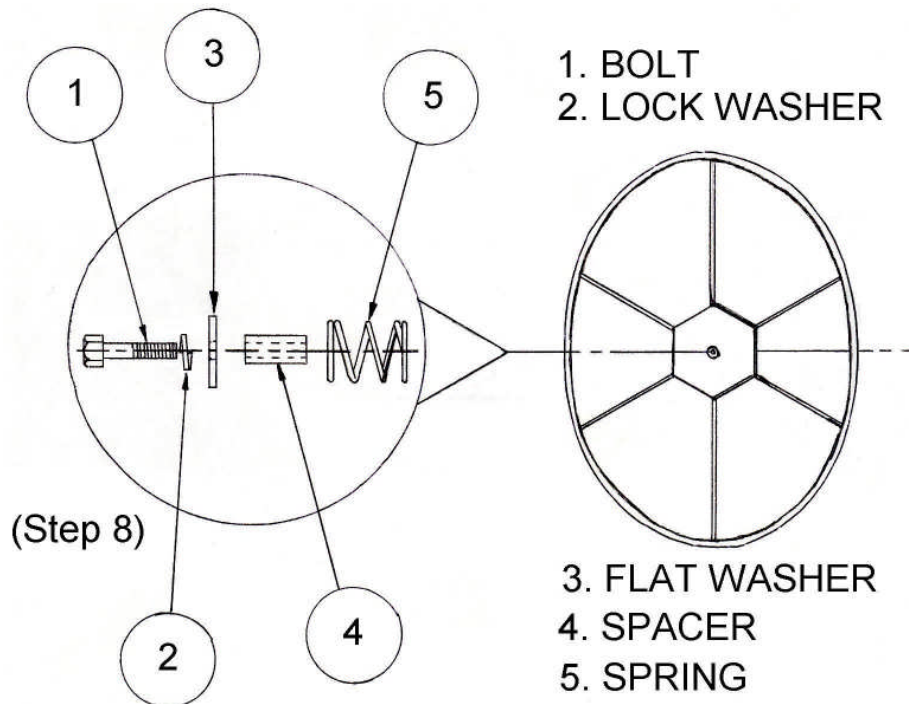
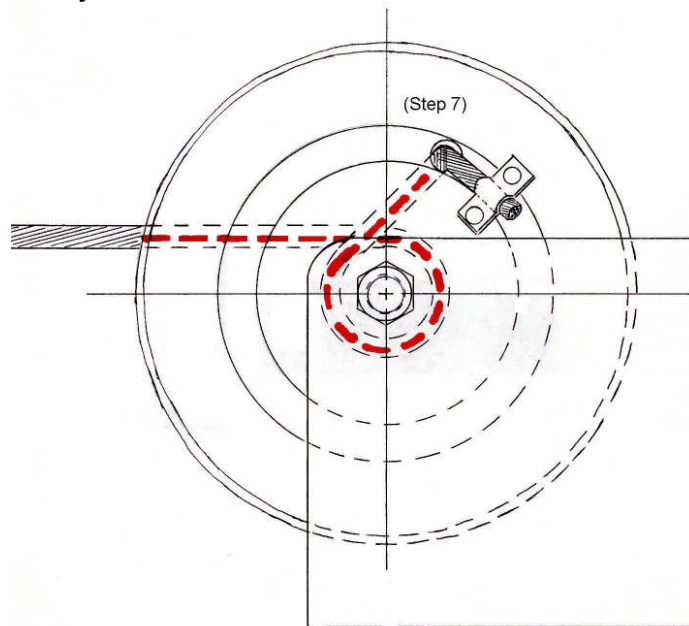
Figure A



Procedure 6

(Step 7) Attach the cable to the winch using the cable clamp, as illustrated below. Be sure to tighten down the cable clamp so that the cable doesn't slip out.

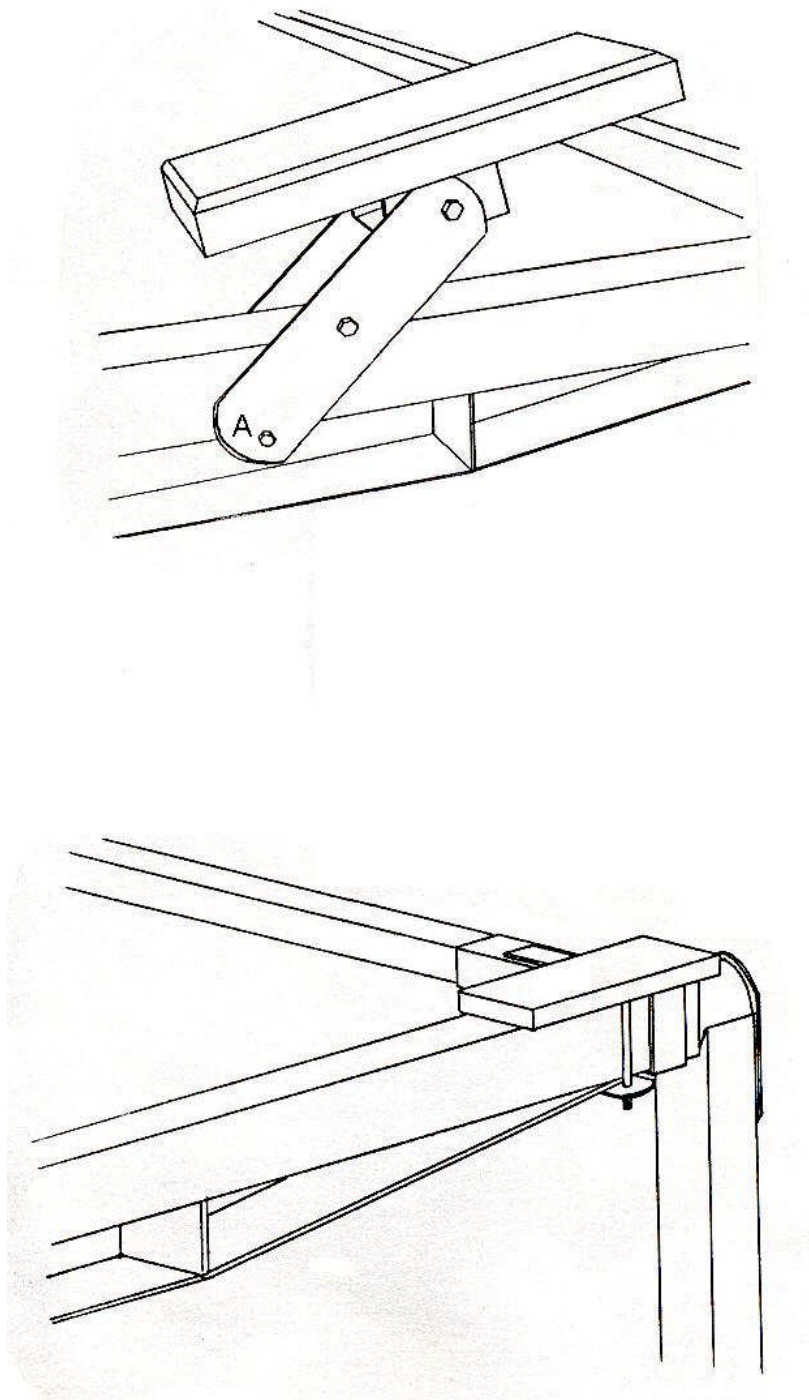
(Step 8) To mount the winch wheel, place the wheel on the shaft of the winch and turn the wheel in a clockwise direction until the winch starts to make a clicking sound. After the wheel is attached to the winch, use the hardware accompanying the winch, as shown below, to bolt the wheel in place for safety.



Procedure 7

(Step 9 for boat) To mount the carpeted bunks, remove the offset bolt on the far end of the bunk plate labeled “A” on the diagram. Then slip the bunk onto the desired spot where the boat will fit firm and snug on the lift. After the adjustments have been made, tighten the bolts on the bunks.

(Step 9 for pontoon) Lay the bunk flat on the lift platform with the bolts facing down. Bolt the two holed plate on the underside of the lift to create a clamp and hold the bunk on firmly.



Guide-On Bumpers

Lift Accessory

(Step 1) Locate a spot on the lift platform for the guide-on to be mounted. Using the order of operation, as shown in figure “A”, clamp the guide-on bumper with the lift platform in between the two holed plates.

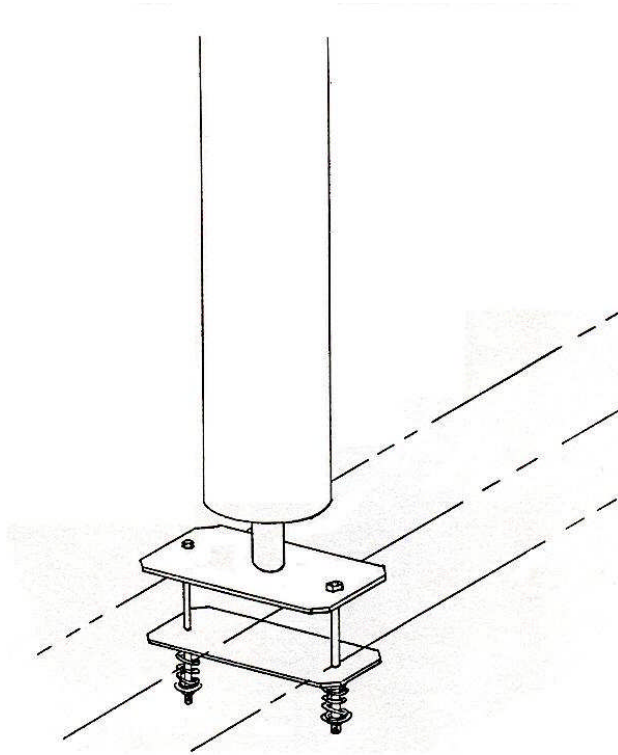
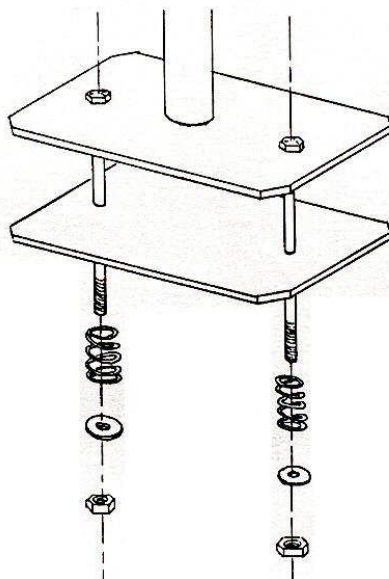


FIGURE A:



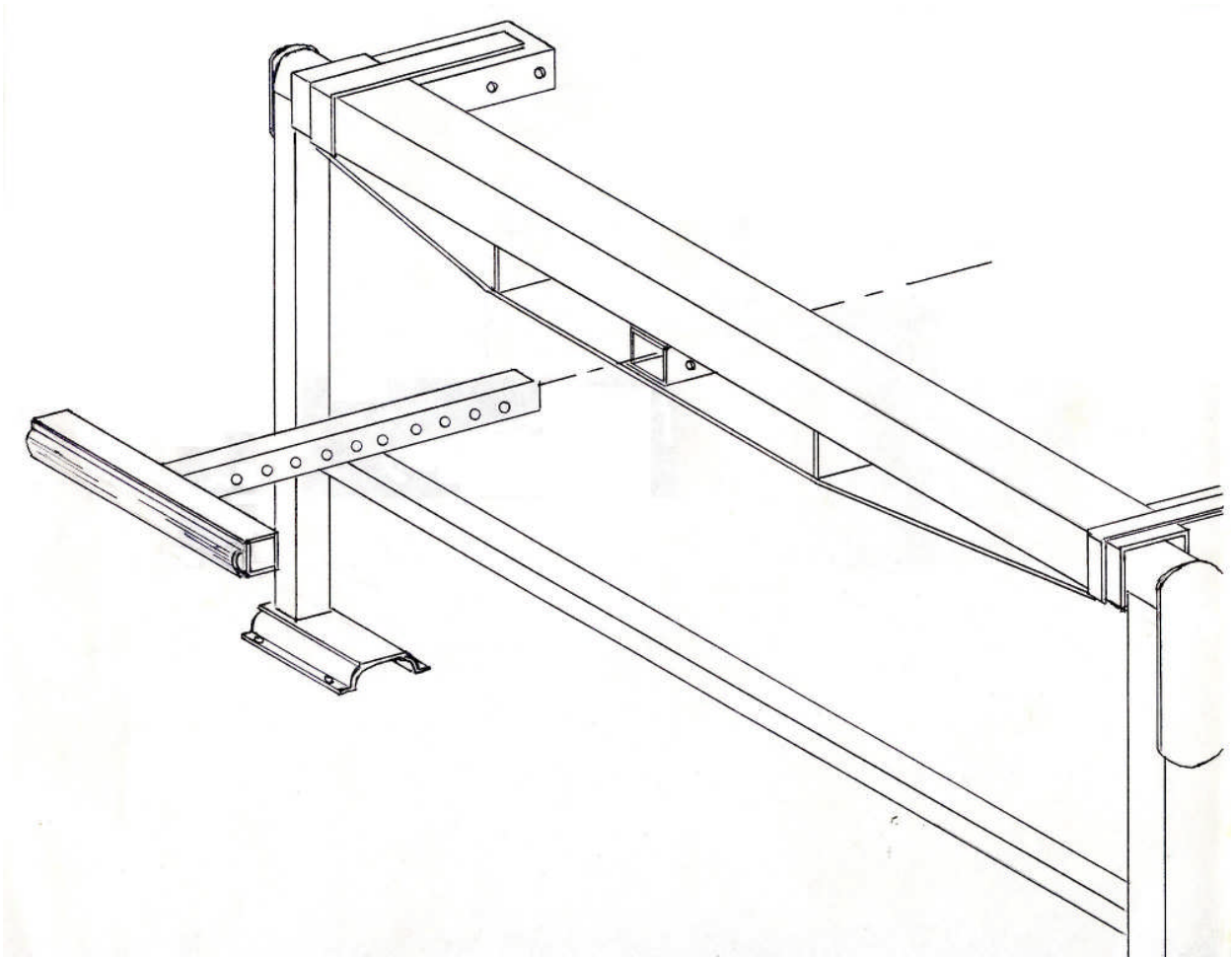
Motor Stop

Lift Accessory

(Step 1) Locate the block on the middle frame facing the lake. Now slide the motor stop into the block to the desired length. Insert the ½" x 3" bolt and tighten.

*****Warning*****

Do not approach the motor stop with the motor trimmed half way up. This could cause damage to the motor stop and possibly even the motor.



Pontoon V Bunks

Lift Accessory

(Step 1) Lay the bunk on the platform with the notched away section facing the outside of the lift, as shown in figure "A". Make sure that at least some of the (1) brackets lay on the (2) support strap. Adjust the bunks to the pontoon floats.

(Step 2) Place two 3/8" x 4" bolts through the holes on the brackets. Bolt the (3) two holed plate on the underside of the lift, creating a clamp to hold the bunk on firmly.

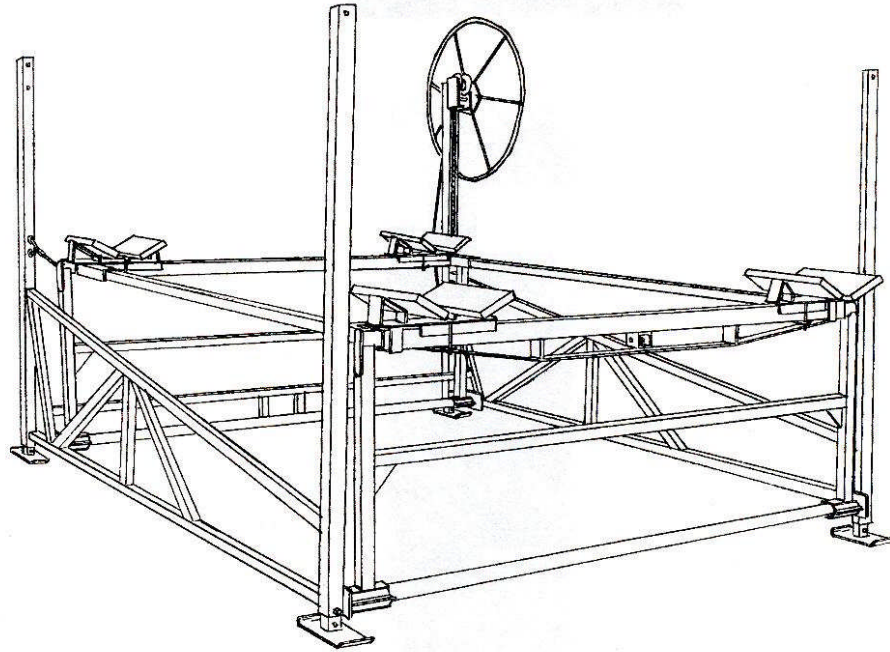
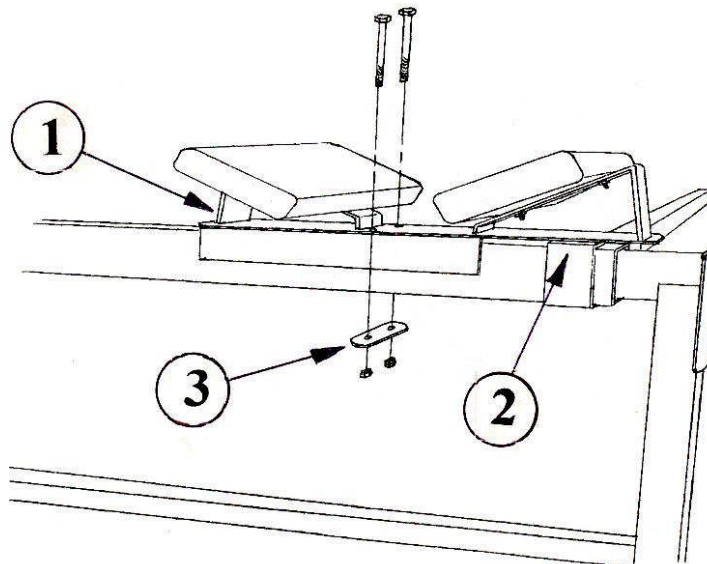


Figure A



Long Pontoon Bunks

Lift Accessory

(Step 1) Lay the bunk on the platform with the notched away section facing the outside of the lift, as seen in figure "A". Make sure that at least some of the (1) bracket lays on the (2) support strap. Adjust the bunks to the pontoon floats.

(Step 2) Place two 3/8" x 4" bolts through the holes on the bracket. Bolt the (3) two holed plate on the underside of the lift, creating a clamp to hold the bunk on firmly.

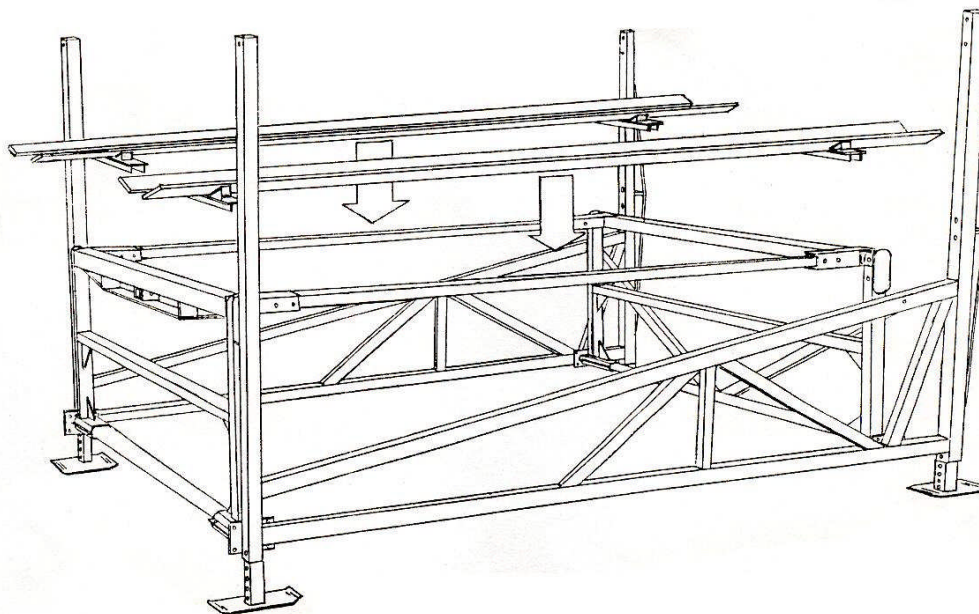
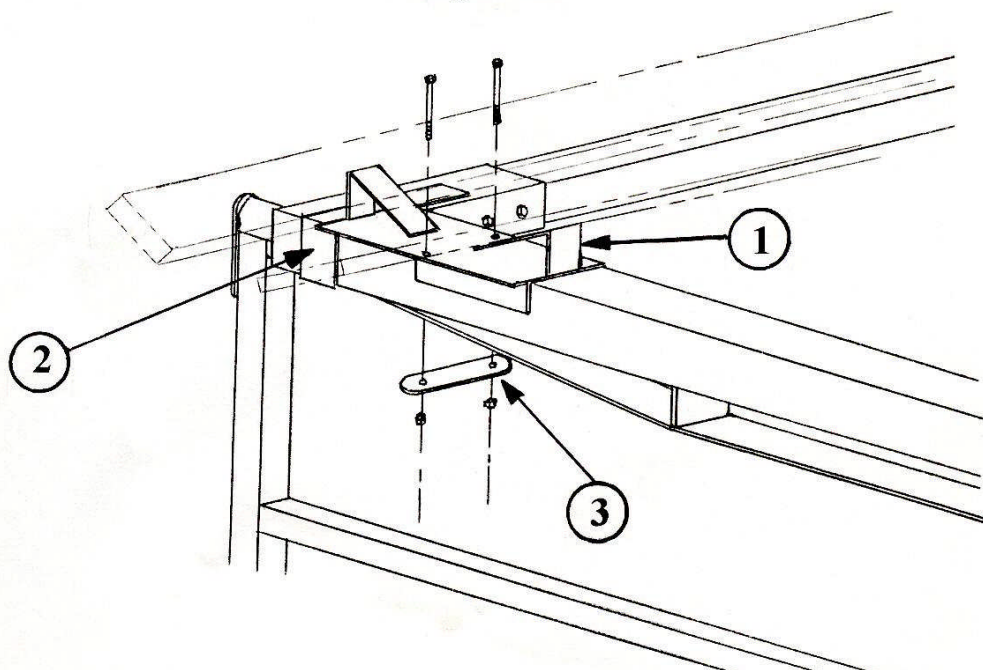


Figure A



Long Boat Bunks

Lift Accessory

(Step 1) To mount the long bunks, remove the offset bolt on the far end of the bunk plate labeled "A" on the diagram. Then slip the bunk onto the desired spot where the boat will fit firm and snug on the lift. After the adjustments have been made, tighten the bolts on the bunks.

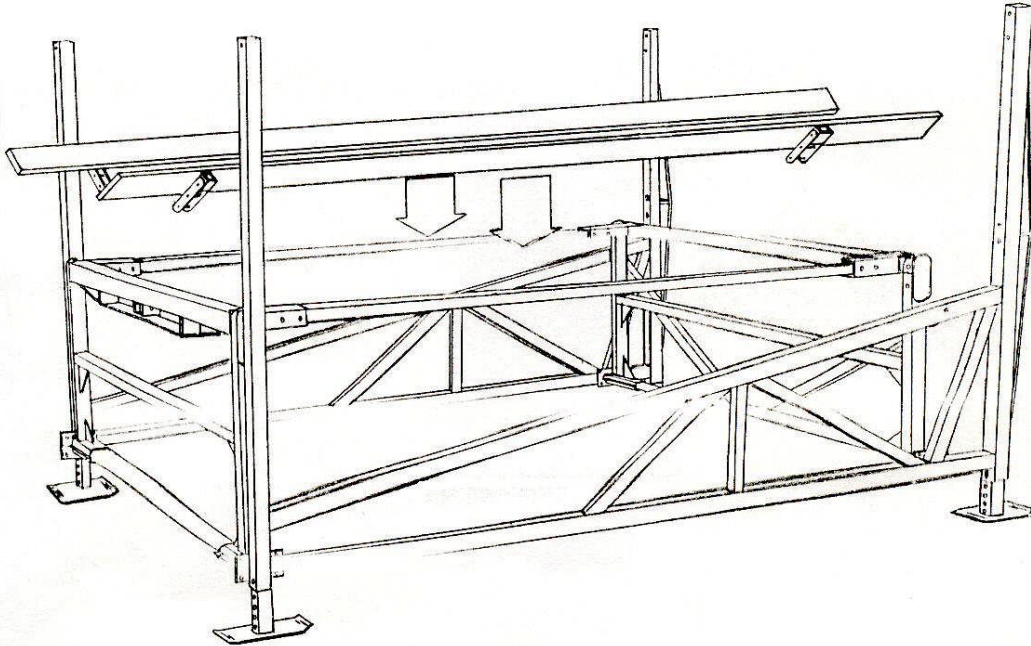
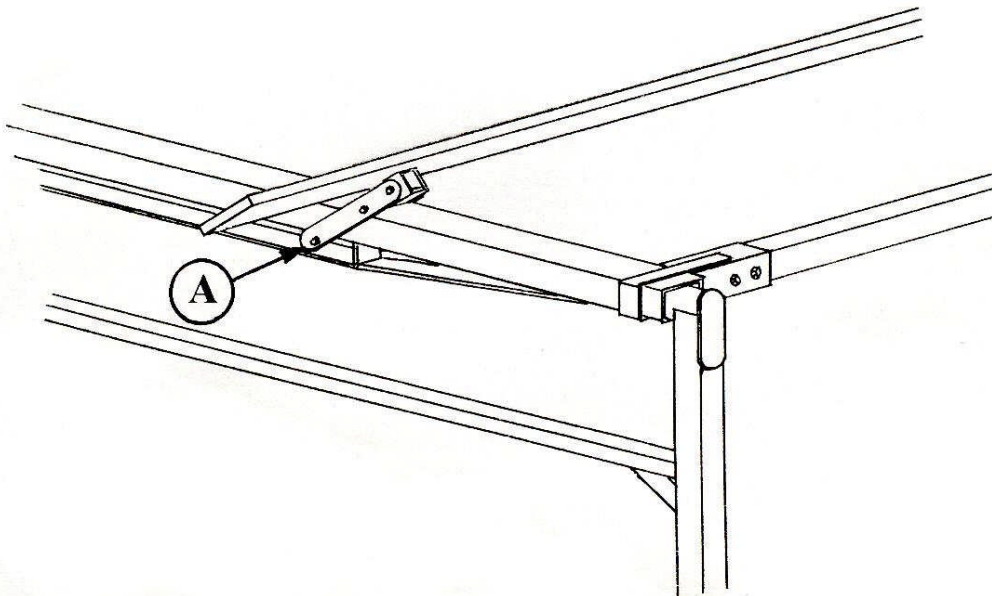


Figure A

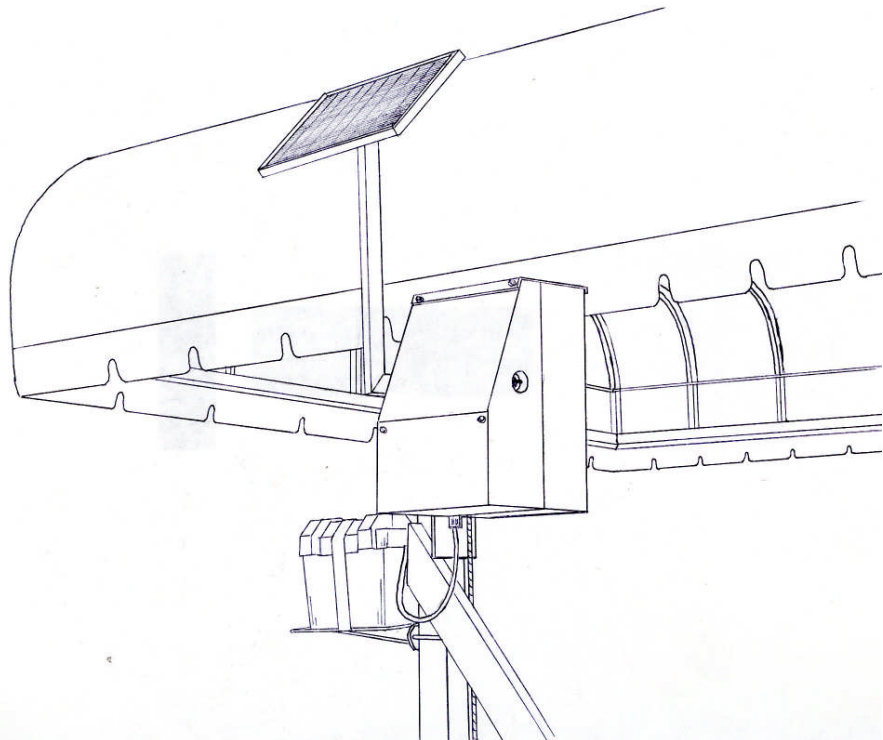
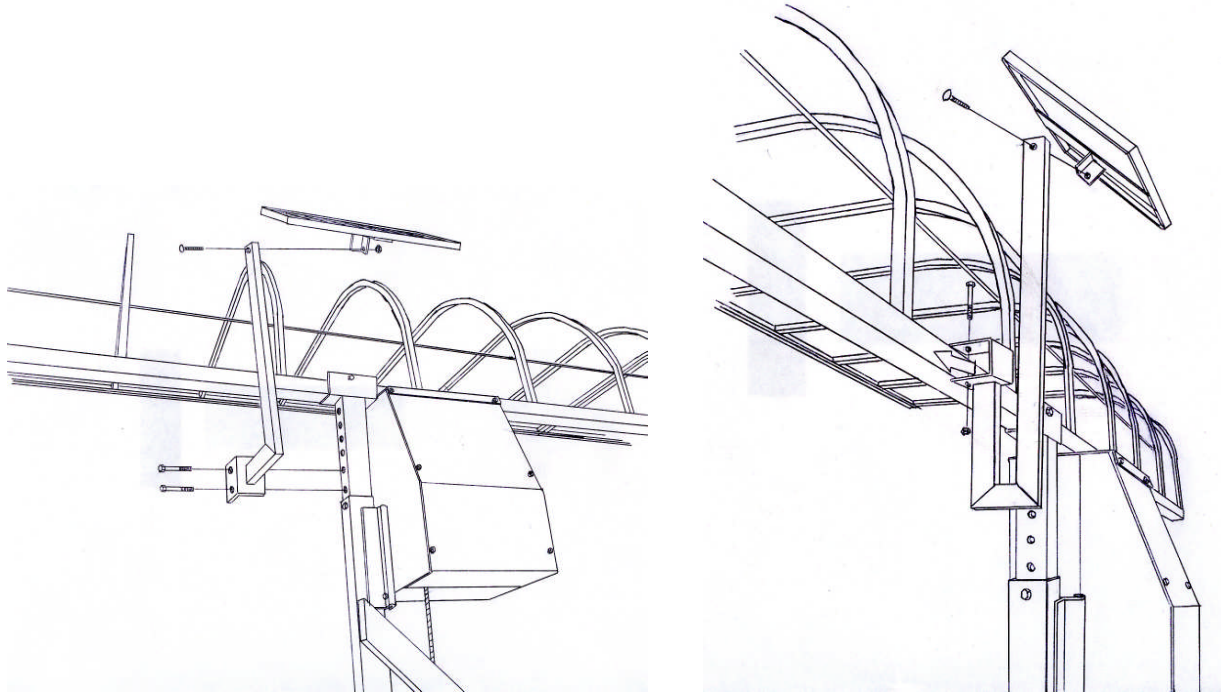


Solar Charger Panel

Lift Accessory

(Canopy Bracket Assembly) Attach the solar panel arm to the canopy bracket using the two 3/8" x 3 1/2" bolts. Mount the solar panel to the arm using a 1/4" x 1 1/2" carriage bolt.

(Canopy Frame Assembly) Slip the solar panel arm onto the canopy frame and fasten down using a 3/8" x 3" bolt. Mount the solar panel to the arm using a 1/4" x 1 1/2" carriage bolt.



Vibo

Docks & Lifts

MANUFACTURER SALES

Product Warranty

Vibo Marine warrants all equipment purchased new by original owner, to be free of defects in the materials and workmanship under normal use from the date of purchase for the period of time set below.

New Vibo Marine aluminum docks and lifts carry a 10 year conditional warranty on all aluminum, aluminum welds and workmanship.

Vibo Marine further warrants all other parts used on Vibo lifts, docks and accessories, purchased new by original owner, to be free from defects in the materials and workmanship under normal use from the date of purchase for 24 months (excluding components and options which carry their own manufacturer's warranty, wherein that warranty will apply.) Excluded from this warranty are parts, such as hardware, pulleys, and cable accessories that wear from normal use. There is no other express warranty. Vibo Marine is not liable for incidental or consequential damages or injuries of any kind due to installation, removal, use, misuse, snow or ice, electrolysis, severe weather, acts of God, misapplication, or improper selection of one of our purchased or displayed products. Vibo Marine agrees to repair or replace only defective parts returned to the factory (shipping costs paid by the customer) and deemed defective by Vibo Marine. Warranty is void when misuse or neglect is the cause.

Vibo Marine is not responsible for removal, dismantling or re-installation cost. This warranty is void if the boat lift or dock is used in other than normal residential service, or installed in salt water.

Vibo Marine warrants canopy covers from the date of purchase for 1 year, to be free of defects in materials and workmanship under normal use. Fading of cover, misuse, snow or ice, severe weather and acts of God are excluded from the warranty.

All returns must be made to Vibo Marine within 30 days from date of purchase. All returns must be in new condition and deemed in new condition by Vibo Marine. Vibo Marine does not accept returned electrical equipment for refund or exchange. All other returnable parts or products are subject to a 15% restocking charge.

Vibo Marine warranty does not cover O.E.M. manufactured products. Most manufacturer's have their own warranty time periods.

The cargo net accessory is NOT intended for human use. Misuse may result in injury.

Stub axles are only intended for moving lift NOT to hold lift and vessel weight permanently. There is a 250 lb. maximum weight per axle.

All decking is warranted from the date of purchase for 1 year.

Vibo Marine warrants all lift wheel kits to be free of defects in the materials and workmanship under normal use from the date of purchase for 1 year.

Warranty is non-transferable.

Prices and specifications subject to change without notice.

Aluminum Docks & Boat Lifts

(651)674-2383 | 1-888-698-2300 | www.vibomarine.com