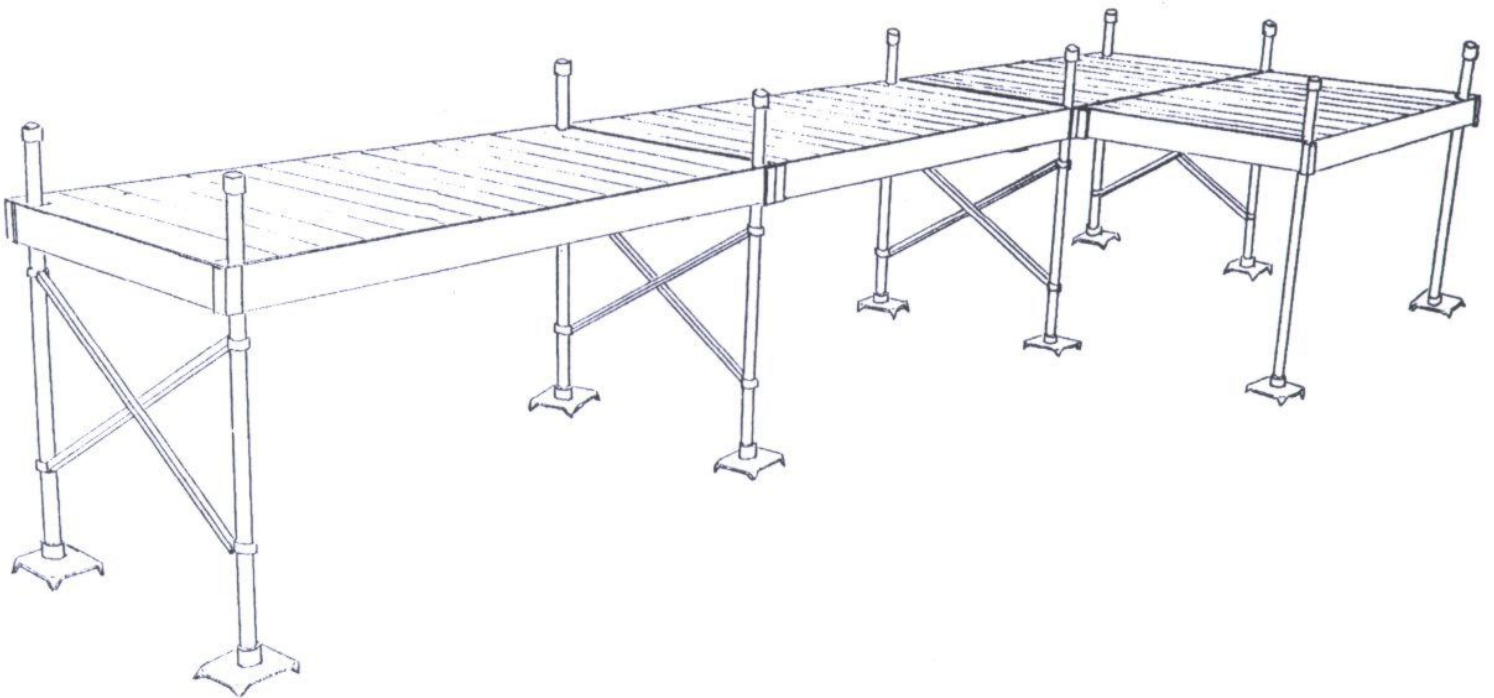
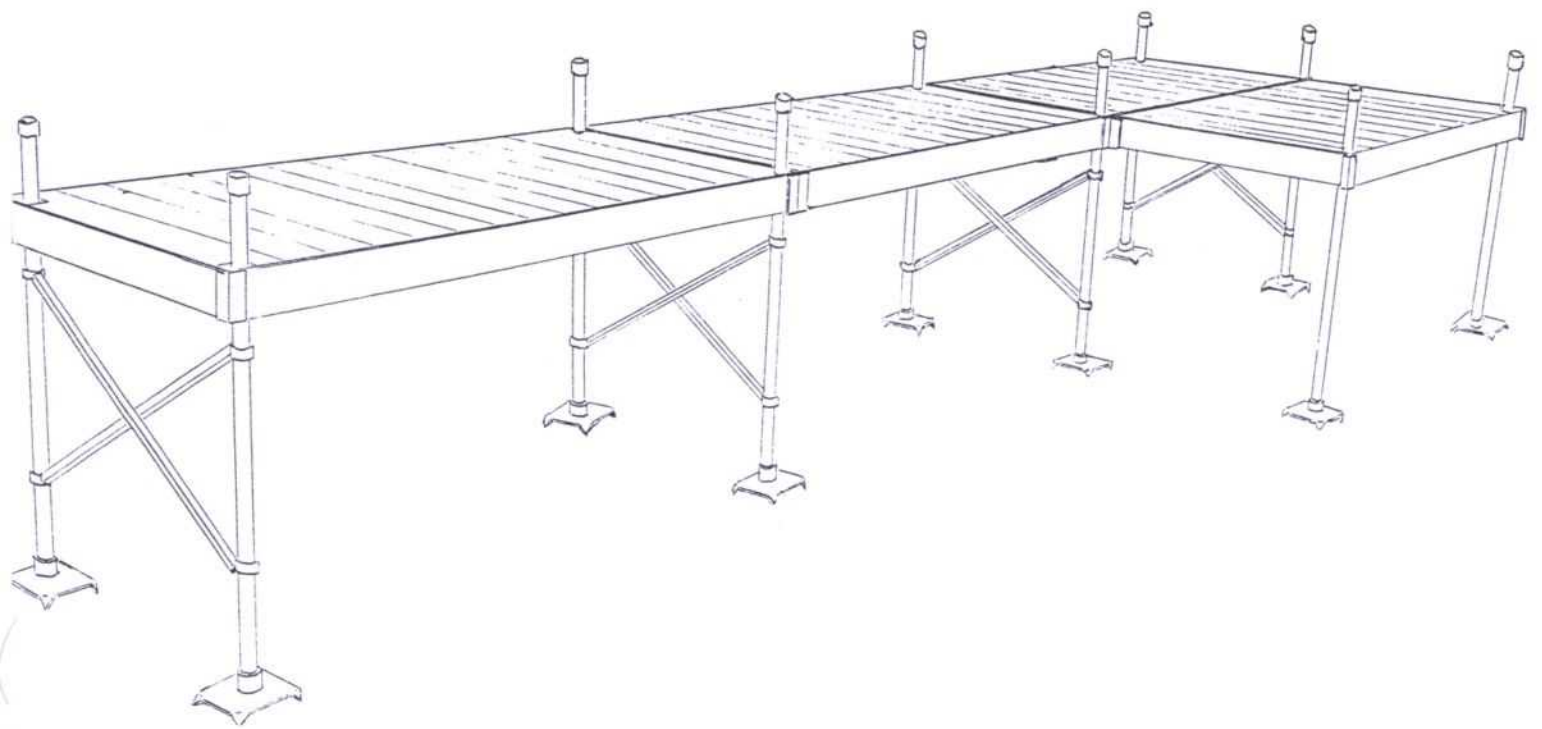


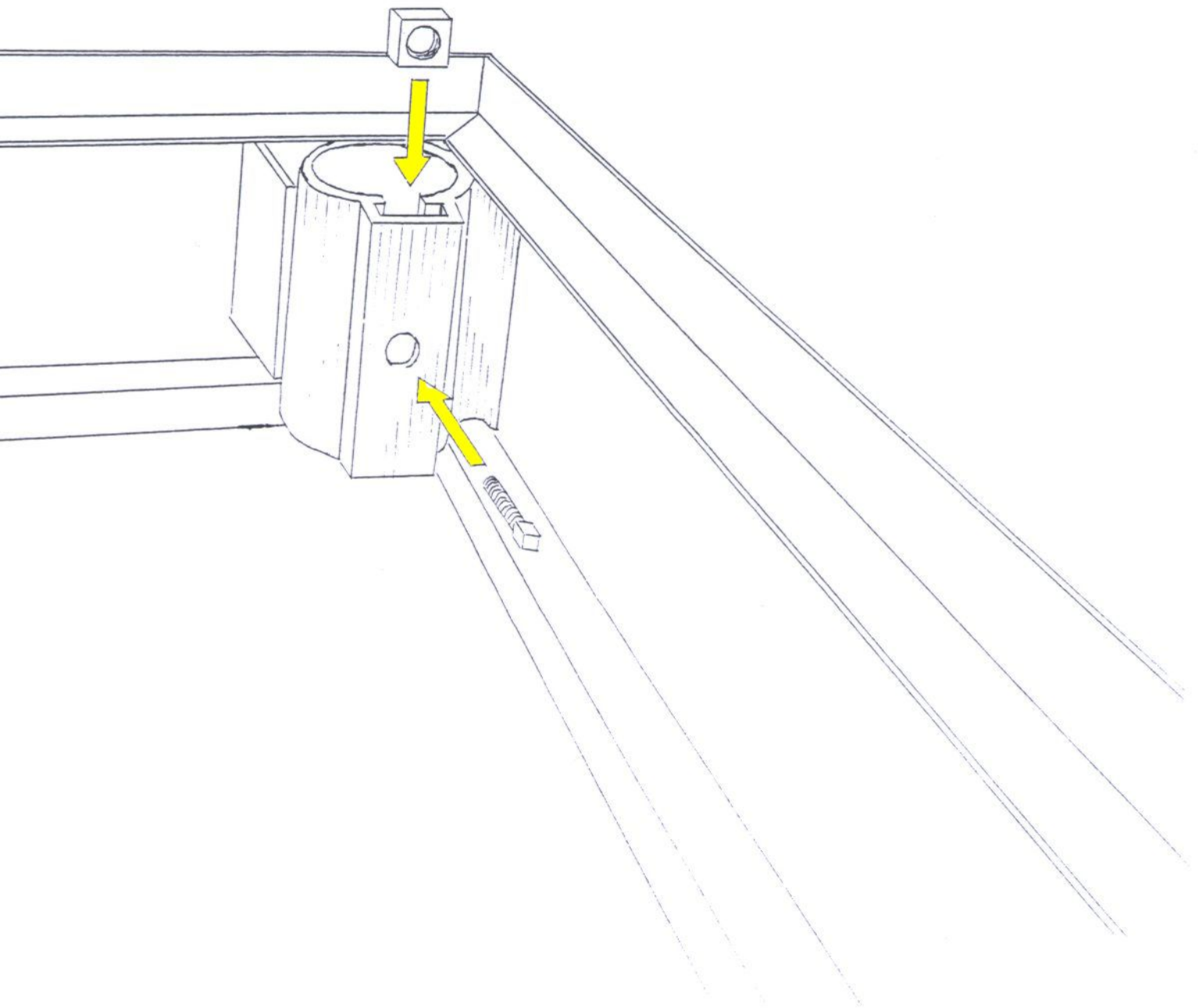


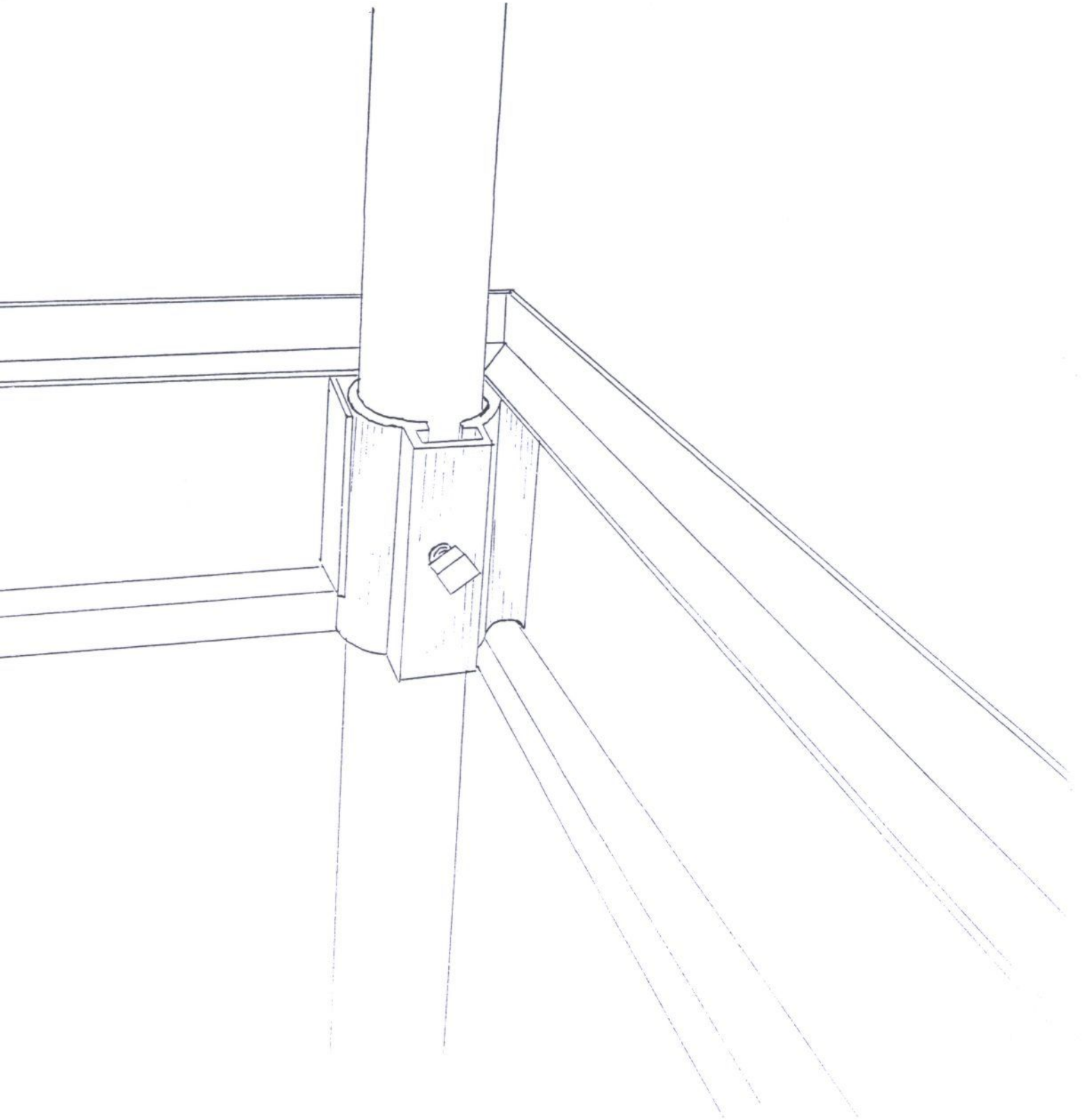
ASSEMBLY INSTRUCTIONS

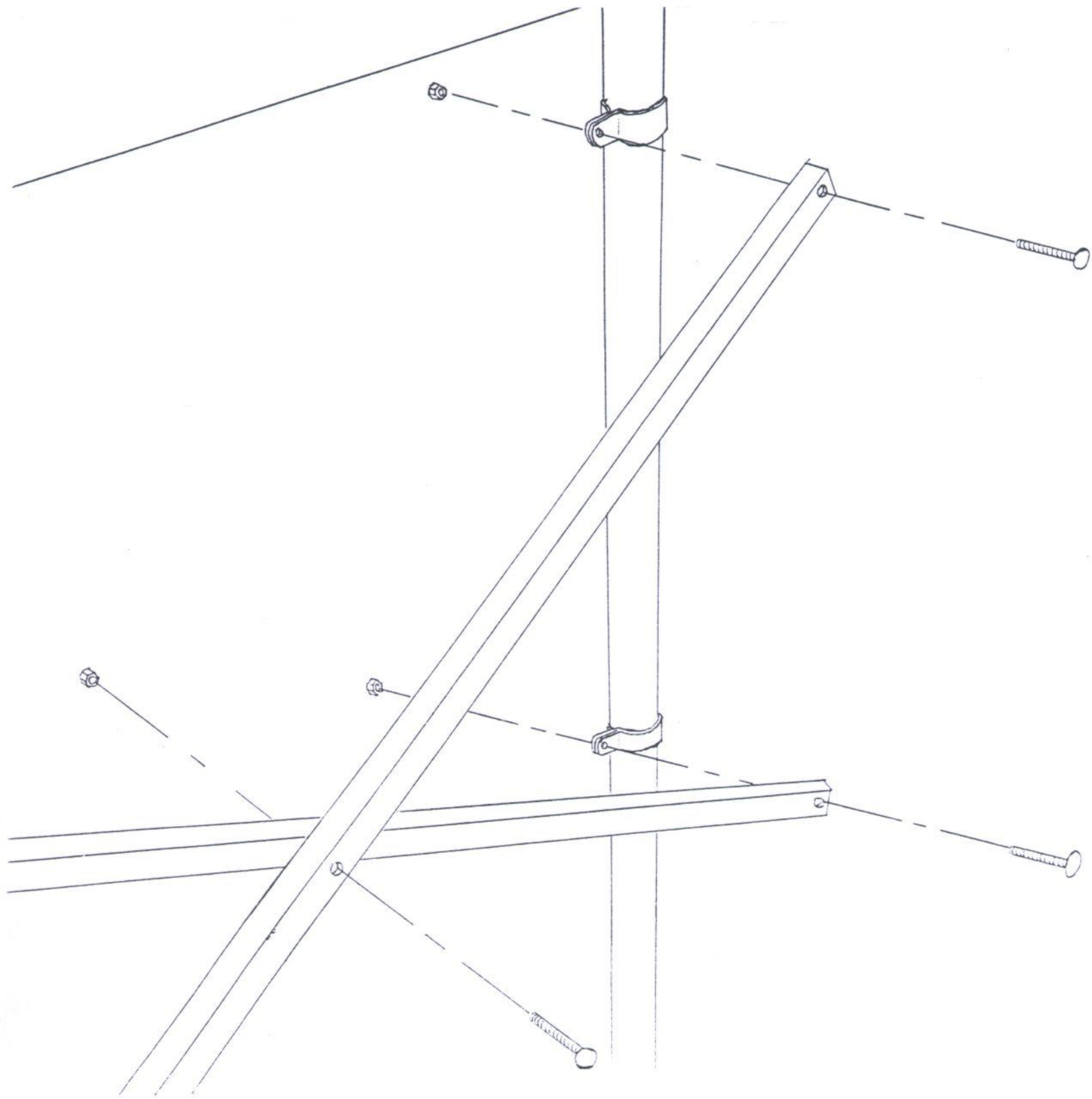
Sectional Dock Systems

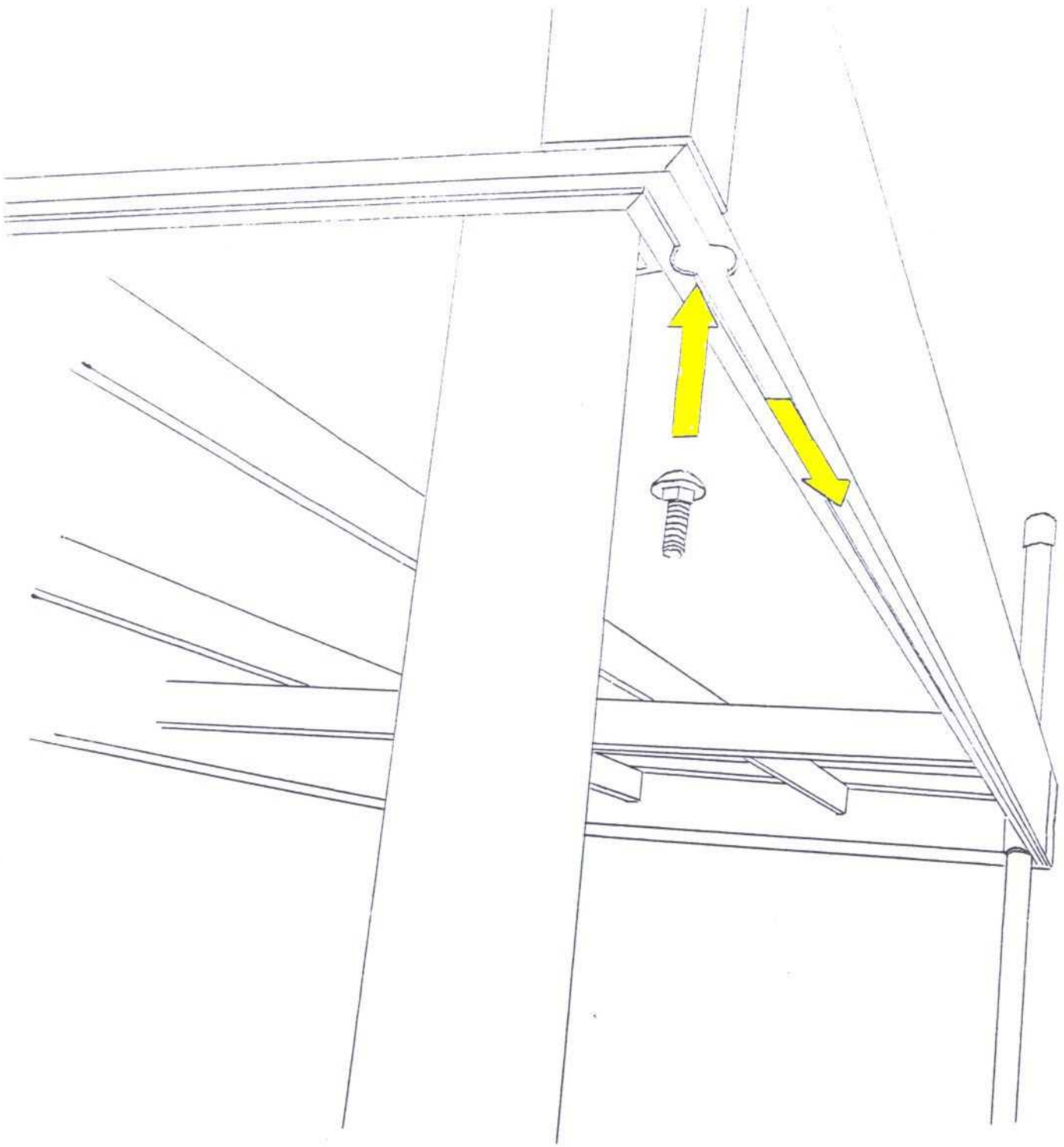


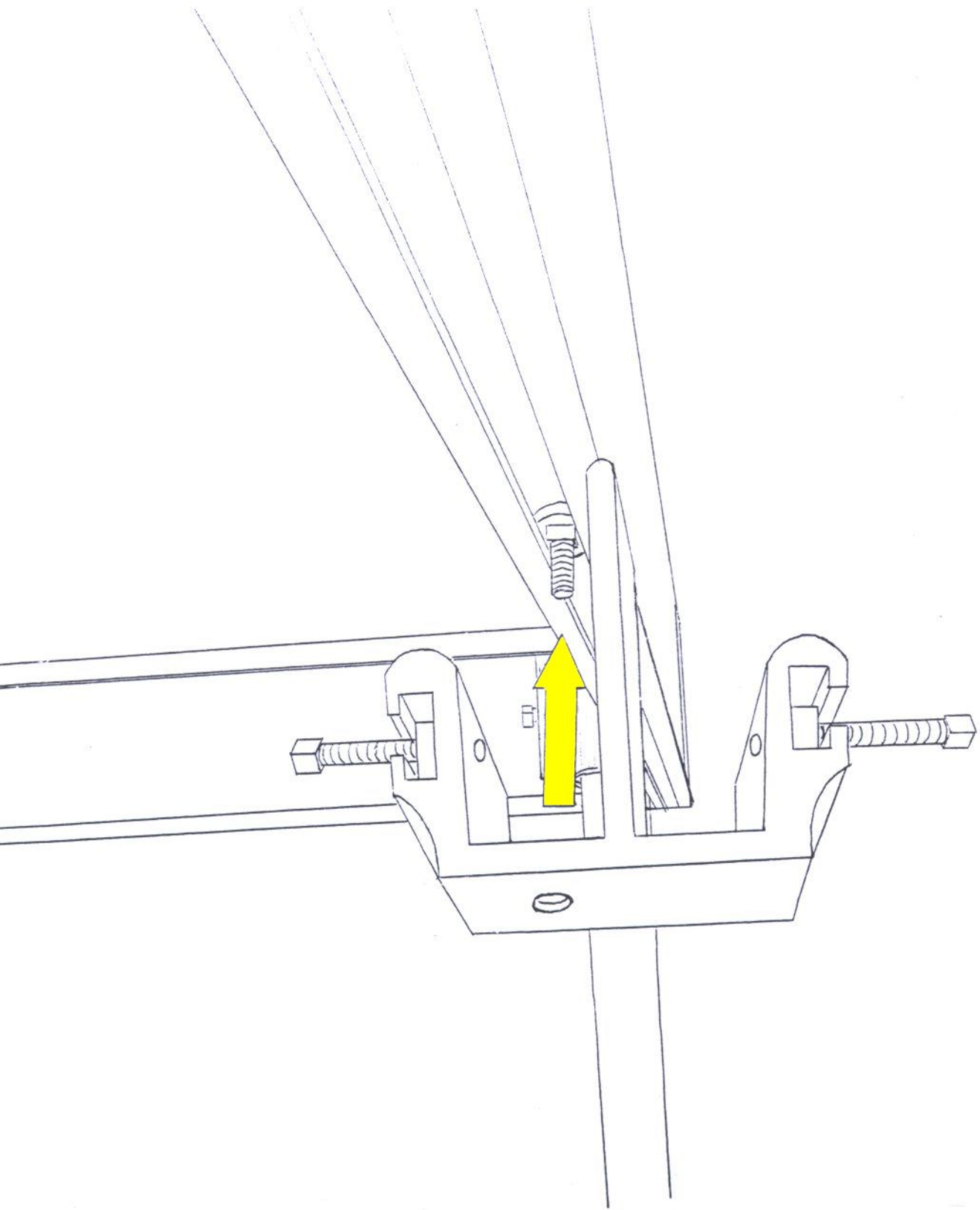


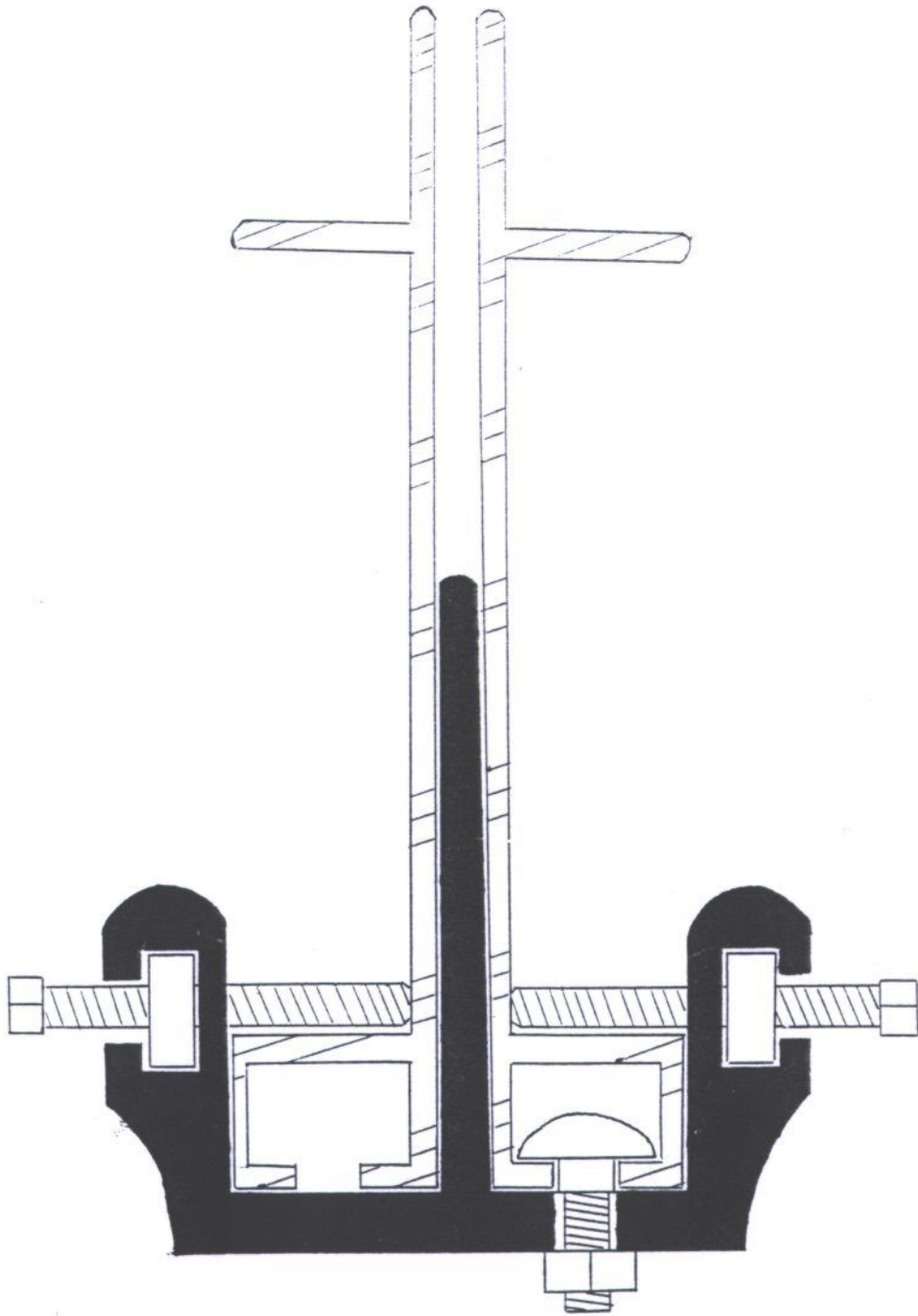


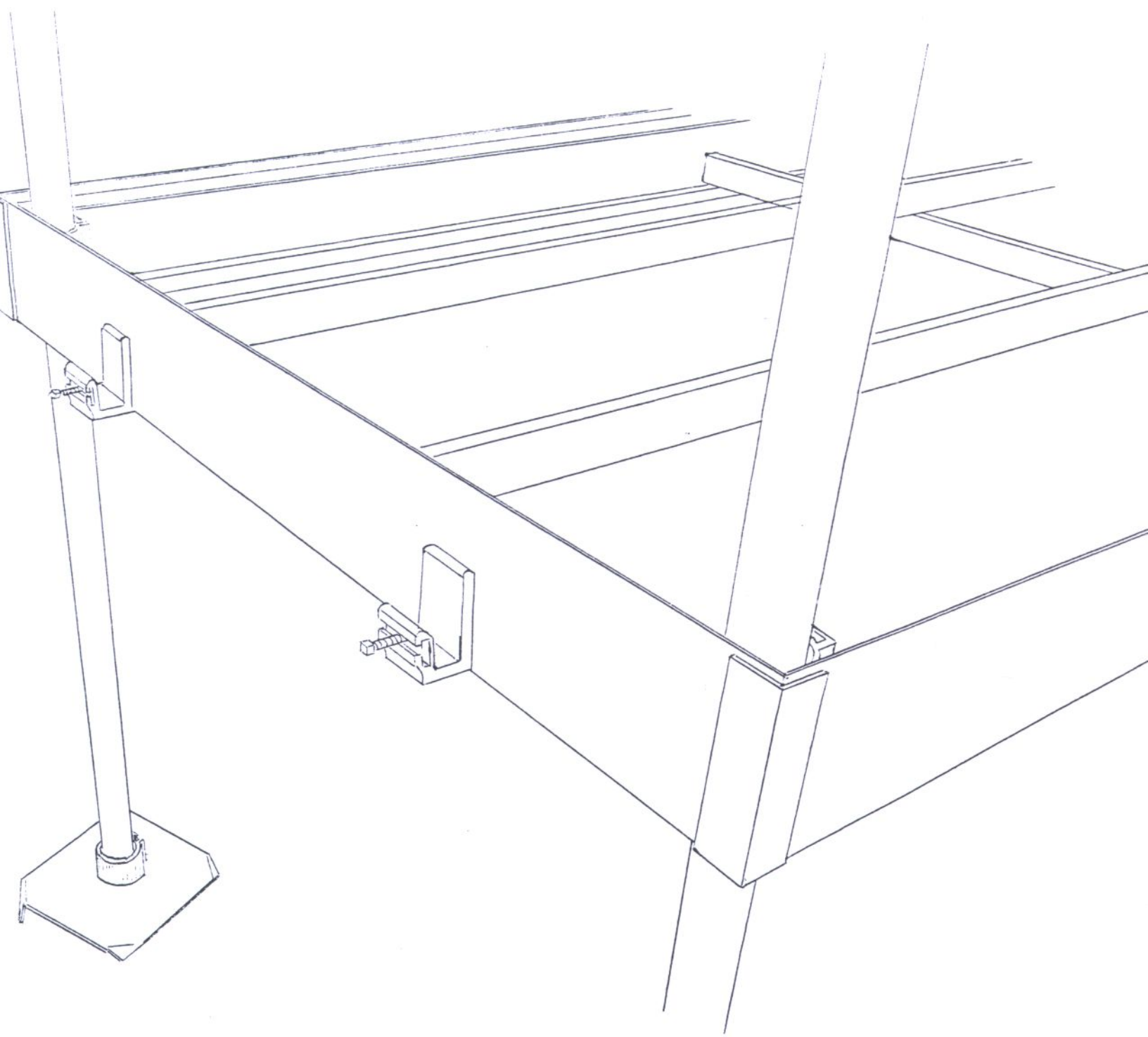


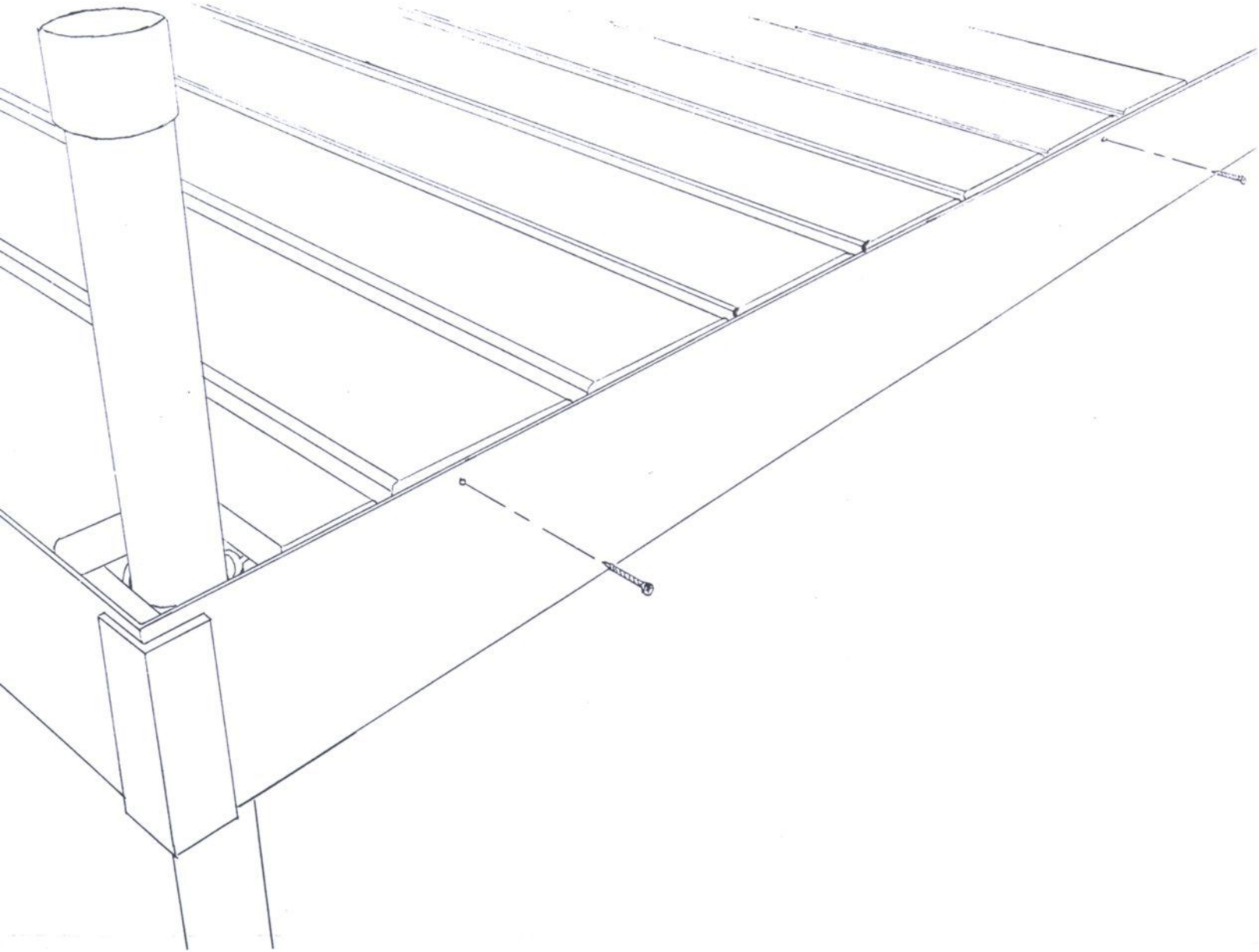


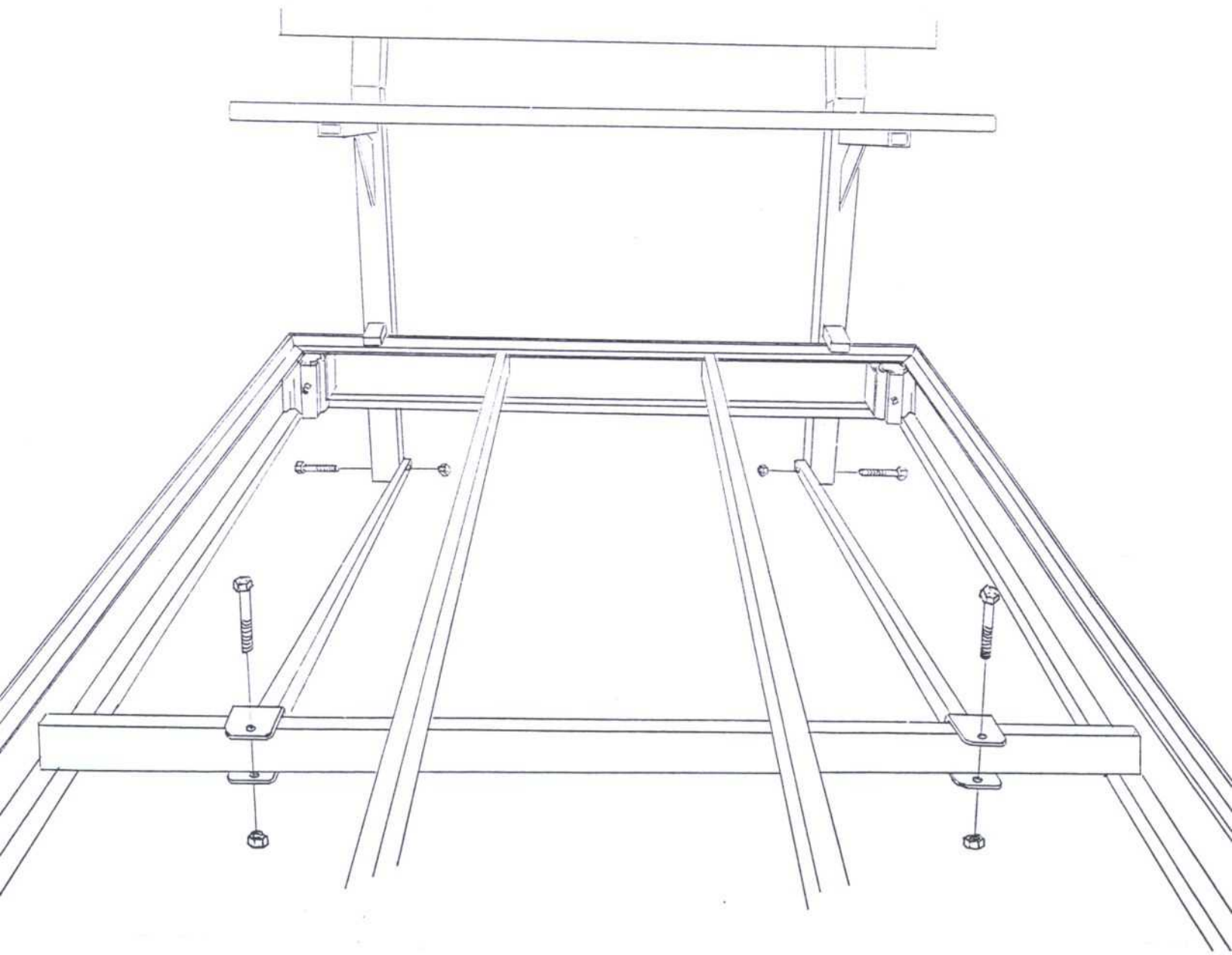


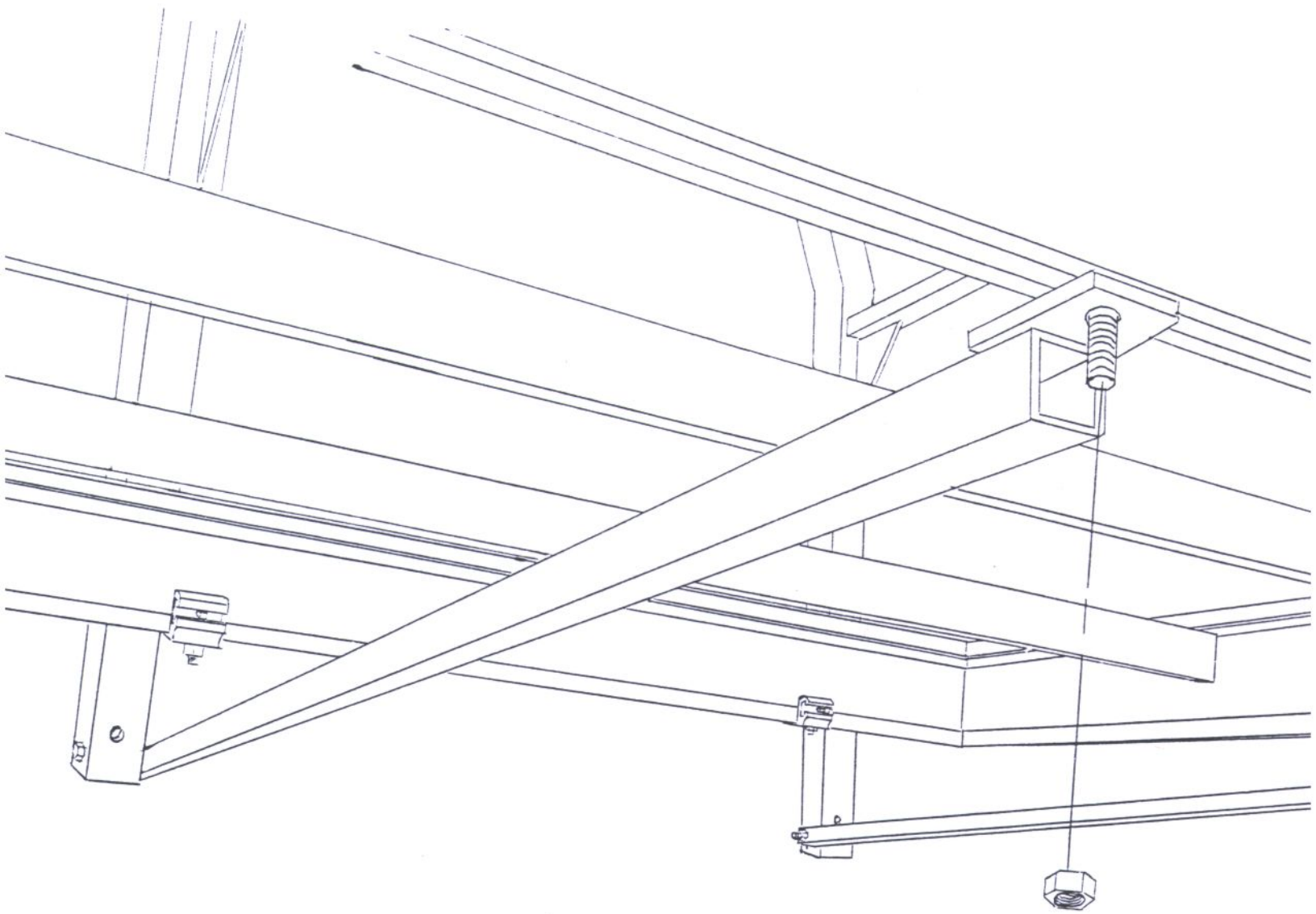


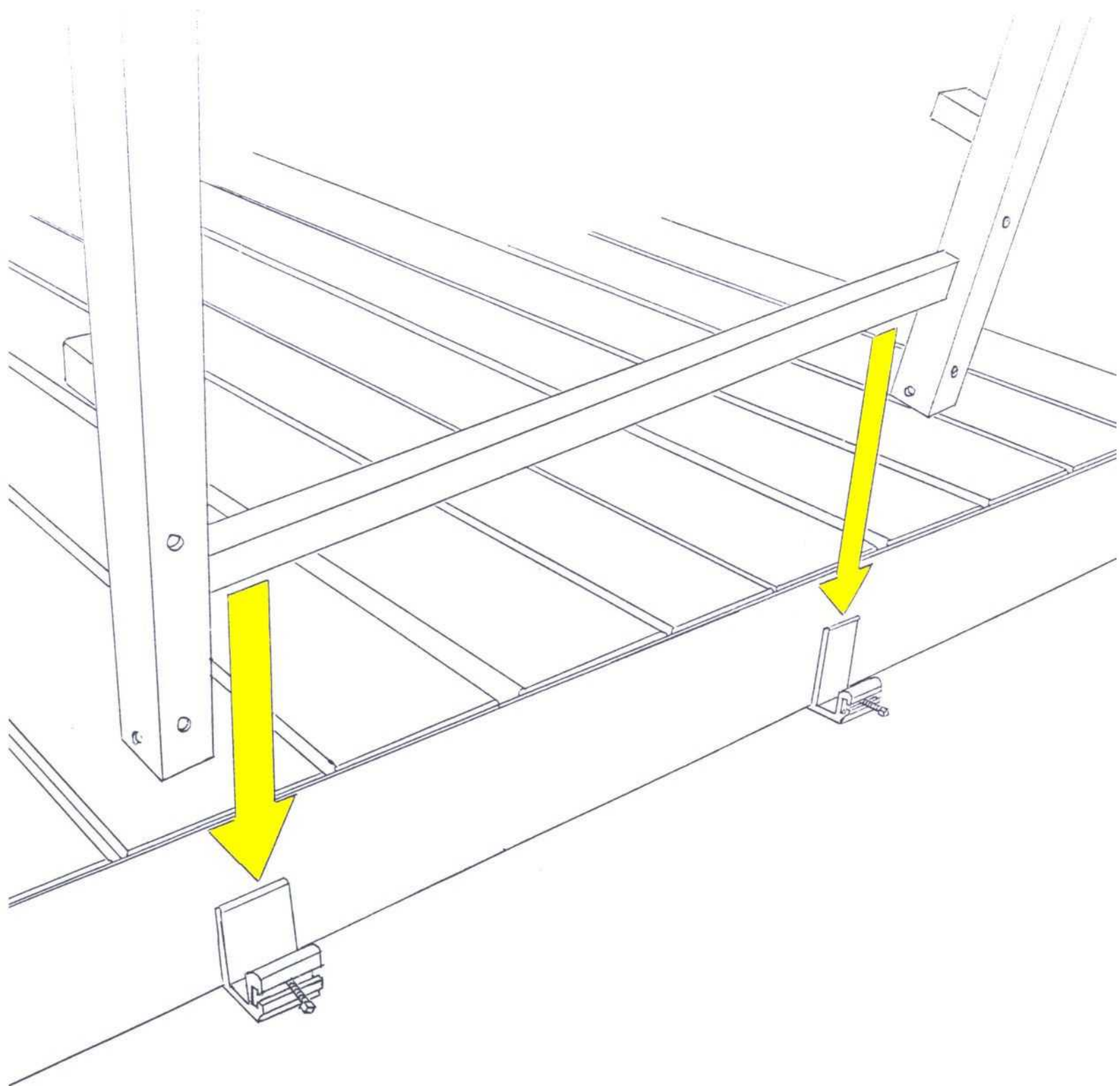


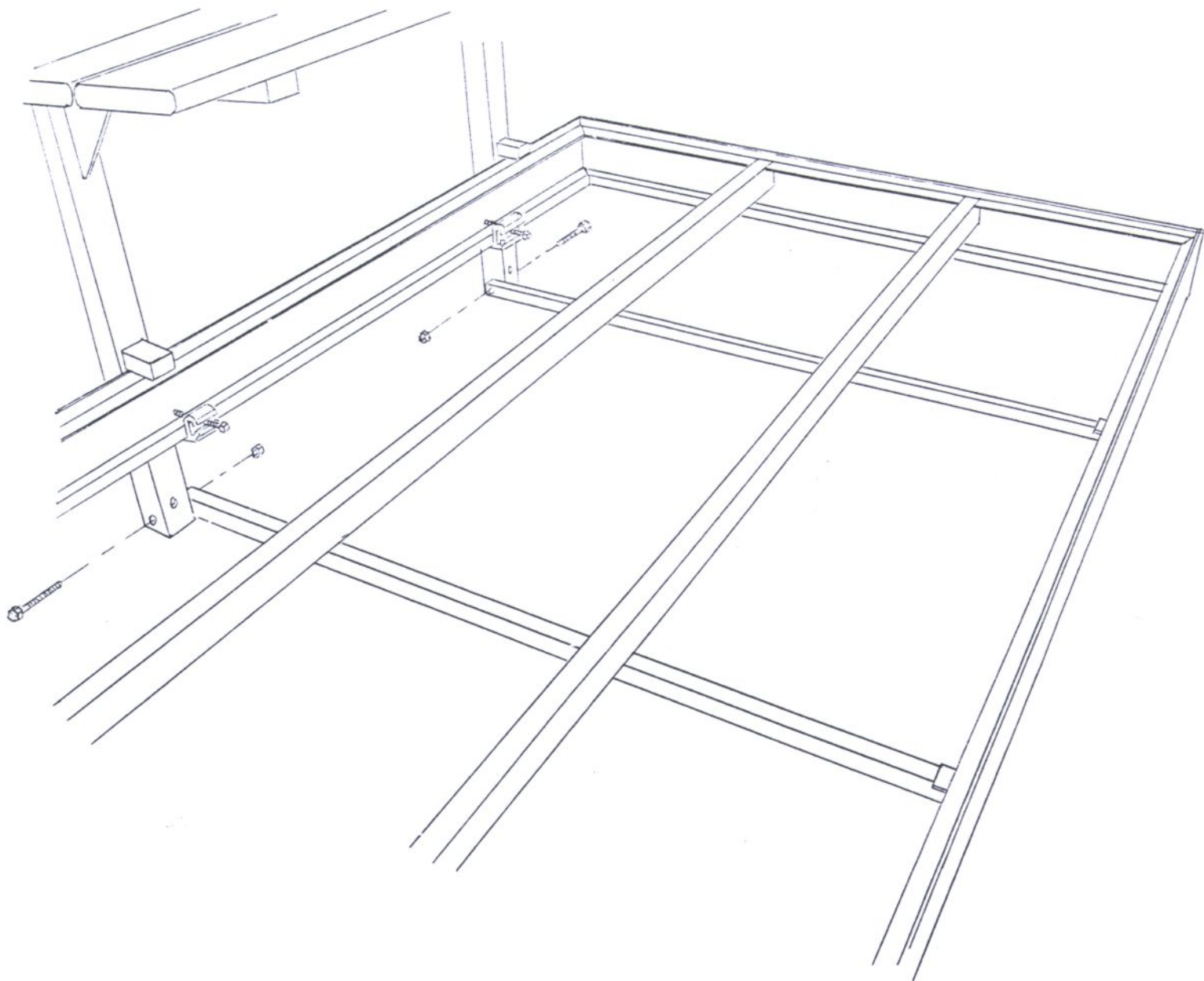


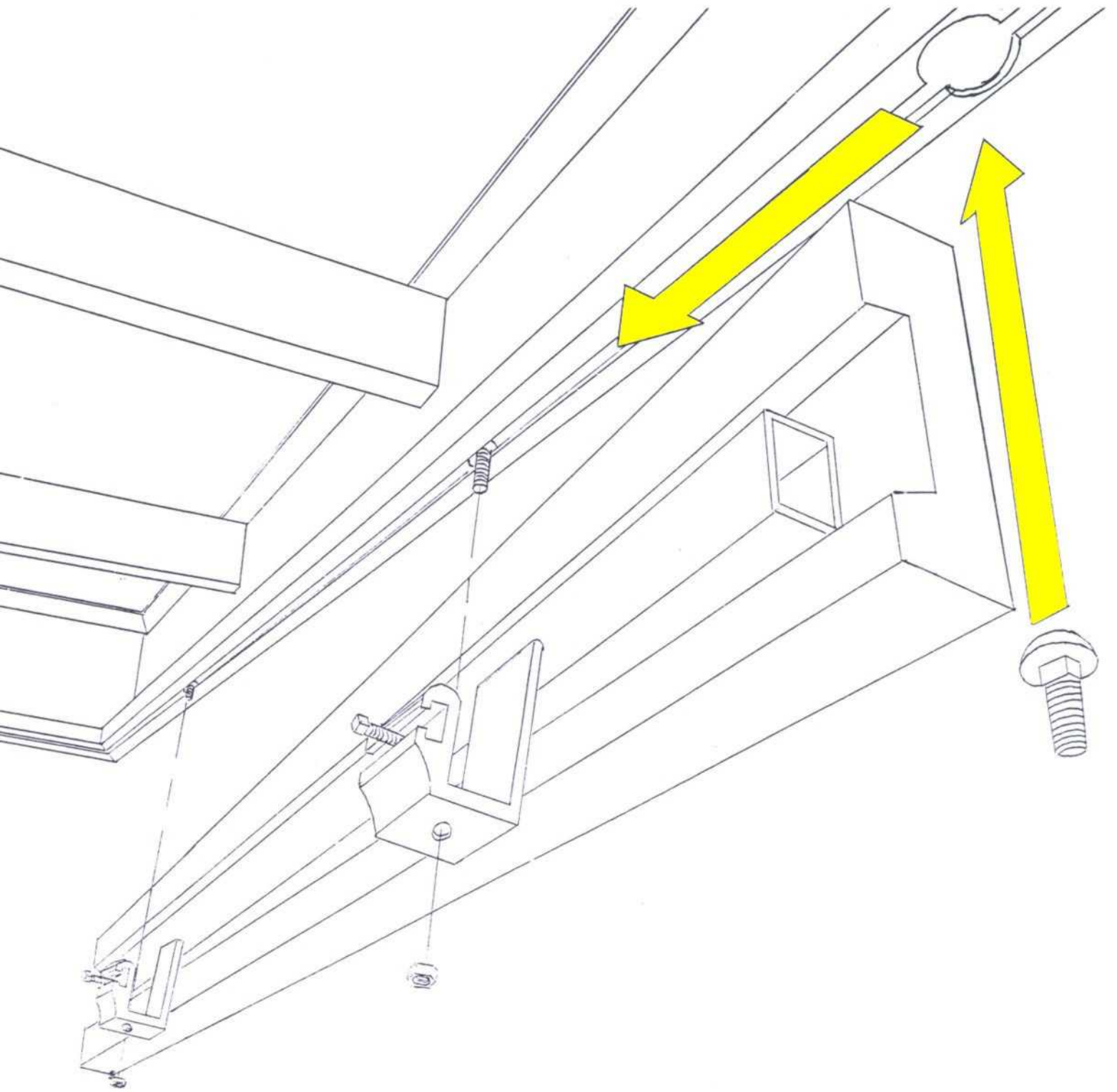


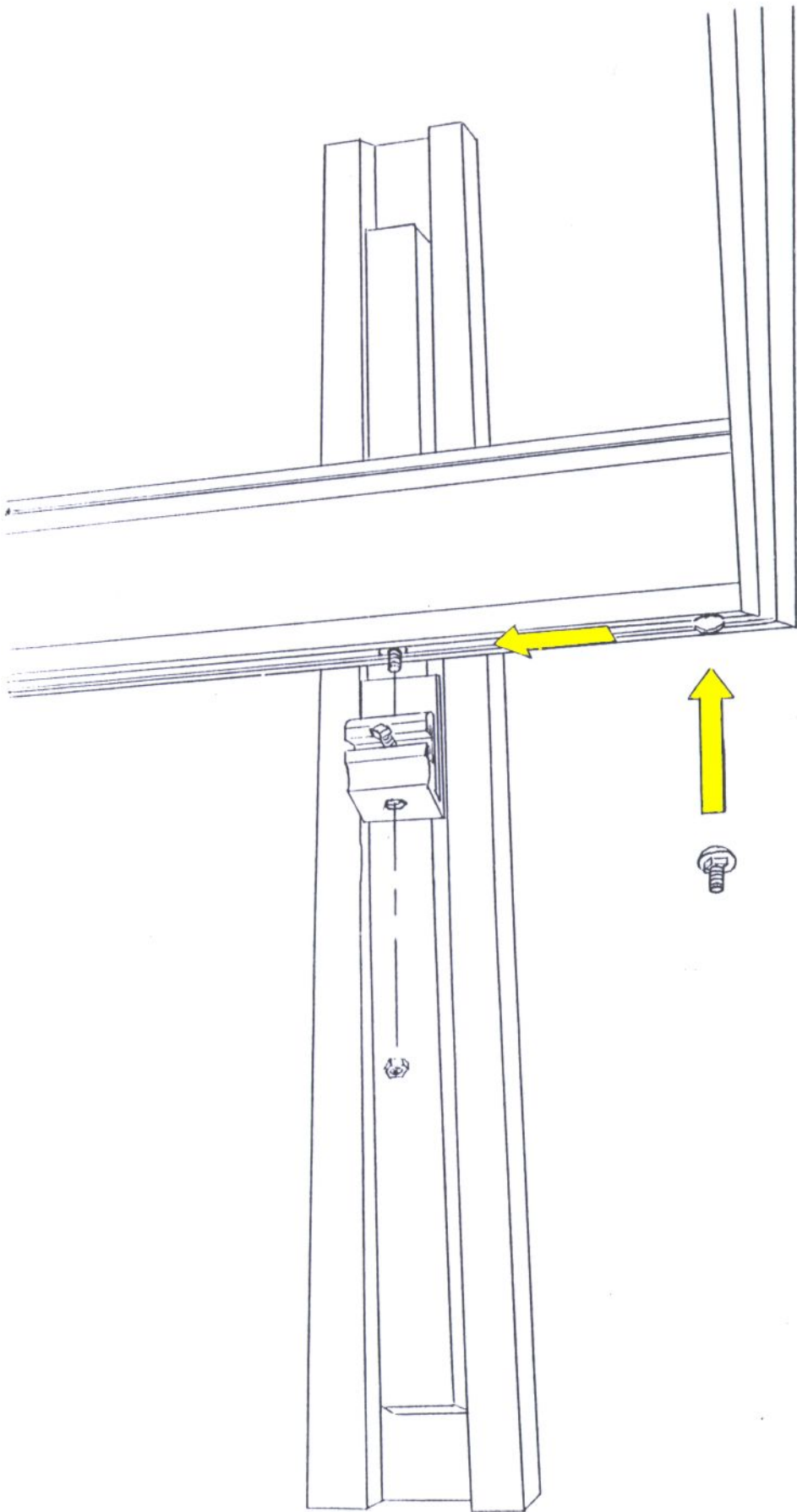












Vibo

Docks & Lifts

MANUFACTURER SALES

Product Warranty

Vibo Marine warrants all equipment purchased new by original owner, to be free of defects in the materials and workmanship under normal use from the date of purchase for the period of time set below.

New Vibo Marine aluminum docks and lifts carry a 10 year conditional warranty on all aluminum, aluminum welds and workmanship.

Vibo Marine further warrants all other parts used on Vibo lifts, docks and accessories, purchased new by original owner, to be free from defects in the materials and workmanship under normal use from the date of purchase for 24 months (excluding components and options which carry their own manufacturer's warranty, wherein that warranty will apply.) Excluded from this warranty are parts, such as hardware, pulleys, and cable accessories that wear from normal use. There is no other express warranty. Vibo Marine is not liable for incidental or consequential damages or injuries of any kind due to installation, removal, use, misuse, snow or ice, electrolysis, severe weather, acts of God, misapplication, or improper selection of one of our purchased or displayed products. Vibo Marine agrees to repair or replace only defective parts returned to the factory (shipping costs paid by the customer) and deemed defective by Vibo Marine. Warranty is void when misuse or neglect is the cause.

Vibo Marine is not responsible for removal, dismantling or re-installation cost. This warranty is void if the boat lift or dock is used in other than normal residential service, or installed in salt water.

Vibo Marine warrants canopy covers from the date of purchase for 1 year, to be free of defects in materials and workmanship under normal use. Fading of cover, misuse, snow or ice, severe weather and acts of God are excluded from the warranty.

All returns must be made to Vibo Marine within 30 days from date of purchase. All returns must be in new condition and deemed in new condition by Vibo Marine. Vibo Marine does not accept returned electrical equipment for refund or exchange. All other returnable parts or products are subject to a 15% restocking charge.

Vibo Marine warranty does not cover O.E.M. manufactured products. Most manufacturer's have their own warranty time periods.

The cargo net accessory is NOT intended for human use. Misuse may result in injury.

Stub axles are only intended for moving lift NOT to hold lift and vessel weight permanently. There is a 250 lb. maximum weight per axle.

All decking is warranted from the date of purchase for 1 year.

Vibo Marine warrants all lift wheel kits to be free of defects in the materials and workmanship under normal use from the date of purchase for 1 year.

Warranty is non-transferable.

Prices and specifications subject to change without notice.

Aluminum Docks & Boat Lifts

(651)674-2383 | 1-888-698-2300 | www.vibomarine.com