



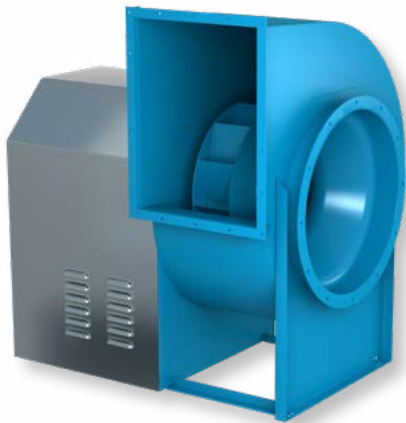
QUICKSHIP CATALOG





Twin City Fan stocks a large number of products for quick shipment, so your tight project deadlines can be met and downtime on replacement work can be held to a minimum. Many stock products are ready to ship within 48 hours from our distribution center in South Dakota, and many other products are available in QuickShip times of 5, 10 and 15 days.

Contact your local sales representative for expedite availability beyond this QuickShip Program.



QuickShip Program Features Include:

- Complete testing of all units prior to shipment to verify operation and ensure quality.
- Many unit options and accessories in the Twin City Fan QuickShip Program provide wide flexibility.
- AMCA licensing of most units.
- UL and/or CSA listing on most stock units to ensure code compliance.



Centrifugal Roof & Wall Exhausters

- Roof Exhaust, Downblast, Direct Drive – DCRD.....4
- Roof Exhaust, Downblast, Belt Driven – BCRD.....5
- Roof Exhaust, Upblast, Direct Drive – DCRU.....6
- Roof Exhaust, Upblast, Restaurant, Direct Drive – DCRUR.....6
- Roof Exhaust, Upblast, Belt Driven – BCRU.....7
- Roof Exhaust, Upblast, Restaurant, Belt Driven – BCRUR.....7
- Roof Exhaust, Upblast, Restaurant, Belt Driven, Smoke Control Systems – BCRUSH.....8
- Wall Exhaust, Direct Drive – DCRW.....9
- Wall Exhaust, Direct Drive, Restaurant – DCRWR.....9
- Wall Exhaust, Belt Driven – BCRW.....10
- Wall Exhaust, Belt Driven, Restaurant – BCRWR.....10
- Accessories.....11

Gravity Relief / Intake Ventilator

- Gravity Relief/Intake Ventilator – GRV.....12

Ceiling & Inline Cabinet Ventilators

- Duct Blowers – DBS.....13
- Ceiling – T.....14
- Inline Cabinet – TL.....14
- Accessories.....15

Square Inline Fans

- Square Inline Centrifugal, Direct Drive – DSI.....16
- Square Inline Centrifugal, Belt Driven – BSI.....17
- Accessories.....19

Tubular Centrifugal Inline

- Tubular Centrifugal Inline, Belt Driven – TCLB.....18
- Tubular Centrifugal Inline, Restaurant, Belt Driven – TCLBR.....18
- Accessories.....19

Propeller Wall Panel Fans

- Wall Propeller, Light Duty, Direct Drive – TCPE.....20
- Wall Propeller, Medium Duty, Direct Drive – WPD.....21
- Wall Propeller, Light & Medium Duty, Belt Driven – WPB.....22
- Accessories.....23

Propeller Roof Fans

- Upblast Roof Ventilator, Low Profile, Direct Drive – LUD.....24
- Upblast Roof Ventilator, Low Profile, Belt Driven – LUB.....25
- Accessories.....28

Tubeaxial Fans

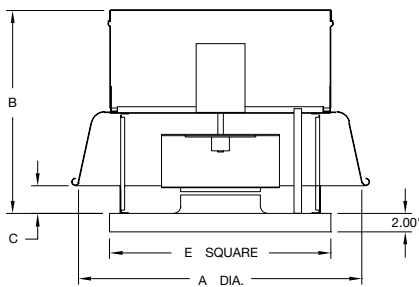
- Medium Duty, Direct Drive – TD.....26
- Medium Duty, Belt Driven – TB.....27
- Medium Duty, Smoke & Heat, Belt Driven – TBSH.....28
- Accessories.....28

Utility Sets

- Utility Sets, Backward Inclined, Airfoil – BCV/DCV/BAV.....29
- Utility Sets, Backward Inclined – BCVR/BCVSH.....30
- Accessories.....30

Pressure Blowers / Compact & Industrial Fans

- Cast Aluminum Blowers – TPD.....31
- Accessories.....31
- Motor Availability – Utility Set, Pressure Blower.....32



APPLICATION

Designed specifically for roof mounted applications, exhausting relatively clean air. Fans feature high efficiency, non-overloading, backward inclined centrifugal wheels precisely matched to a deep spun venturi.

SIZES

8" to 19.75" wheel diameters

PERFORMANCE

Airflow to 5,020 CFM
Static pressure to 1" w.g.

LITERATURE (Available at www.tcf.com)

Catalog 4050
Installation and Maintenance Manual - IM-4050

ACCESSORIES

See page 11.

SIZE	HP	RPM	AVAILABILITY ¹					FAN DIMENSIONS					
			ODP 115V ^{3,5}		ODP ^{4,5}		OTHER ⁵	EC-ODP 115V ⁶		A	B	C	E
			48-HOUR	5-DAY	5-DAY	10-DAY	10-DAY	5-DAY	10-DAY				
060B	1/8	1650 ²	✓	✓	✓	—	—	18.50	15.63	2.06	17.00		
060BE	1/4	1800	—	—	—	✓	✓	18.50	15.63	2.06	17.00		
070B	1/8	1650 ²	✓	✓	✓	—	—	18.50	15.63	2.06	17.00		
070BE	1/4	1800	—	—	—	✓	✓	18.50	15.63	2.06	17.00		
080B	1/8	1650 ²	✓	✓	✓	—	—	18.50	15.63	2.06	17.00		
080BE	1/4	1800	—	—	—	✓	✓	18.50	15.63	2.06	17.00		
085B	1/8	1650 ²	✓	✓	✓	—	—	21.00	19.31	2.63	17.00		
085BE	1/4	1800	—	—	—	✓	✓	21.00	19.31	2.63	17.00		
090B	1/8	1650 ²	✓	✓	✓	—	—	21.00	19.31	2.63	17.00		
090BE	1/4	1800	—	—	—	✓	✓	21.00	19.31	2.63	17.00		
095B	1/8	1650 ²	✓	✓	✓	—	—	21.00	19.31	2.63	17.00		
095BE	1/4	1800	—	—	—	✓	✓	21.00	19.31	2.63	17.00		
100B	1/3	1725	✓	✓	✓	—	—	21.00	17.31	2.63	17.00		
	1/8	1140	✓	✓	✓	—	—						
	1/15	860	✓	✓	✓	—	—						
100BE	1/4	1800	—	—	—	✓	✓	21.00	17.31	2.63	17.00		
120B	1/3	1725	✓	✓	✓	—	—	27.88	22.38	3.63	20.00		
	1/8	1140	✓	✓	✓	—	—						
	1/15	860	✓	✓	✓	—	—						
120BE	1/2	1800	—	—	—	✓	✓	27.88	22.38	3.63	20.00		
130B	1/2	1725	✓	✓	✓	—	—	27.88	23.25	4.44	24.00		
	1/4	1140	✓	✓	✓	—	—						
	1/8	860	✓	✓	✓	—	—						
130BE	3/4	1800	—	—	—	✓	✓	27.88	23.25	4.44	24.00		
140B	1/4	1140	✓	✓	✓	—	—	27.88	23.50	4.69	24.00		
	1/8	860	✓	✓	✓	—	—						
150B	1/4	1140	✓	✓	✓	—	—	31.06	26.75	4.63	24.00		
	1/8	860	✓	✓	✓	—	—						
160B	1/2	1140	✓	✓	✓	—	—	31.06	27.25	5.19	24.00		
	1/4	860	✓	✓	✓	—	—						
170B	1/2	1140	✓	✓	✓	—	—	39.63	29.25	4.06	30.00		
	1/4	860	✓	✓	✓	—	—						
180B	1	1140	✓	✓	✓	—	—	39.63	30.25	5.06	30.00		
	1/2	860	✓	✓	✓	—	—						

NOTES:

1. Availability is in working days.
2. Three Speed Motor. 1500 RPM (Stock Type A) and 1350 RPM (Stock Type B) motors available on 48-Hour, 5-Day and 10-Day ship.
3. All ODP 115V 1Ø motor options are Speed Controllable.
4. ODP 1Ø 208-230V, 3Ø and TE motors available on 5-Day ship.
5. Thermal overload motors are exempt from QuickShip.
6. Remote mounted speed dial is not available.

APPLICATION

Designed for roof mounted exhaust of relatively clean air in a wide variety of roof exhaust applications.

SIZES

8.5" to 50.0" wheel diameters

PERFORMANCE

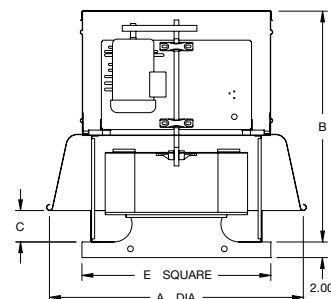
Airflow to 28,700 CFM
Static pressure to 3.25" w.g.

LITERATURE (Available at www.tcf.com)

Catalog 4050
Installation and Maintenance Manual - IM-4050

ACCESSORIES

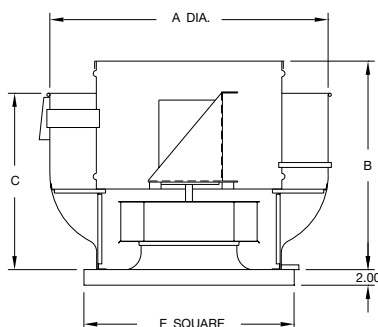
See page 11.



NOTES:

1. Availability is in working days.
2. ODP 1Ø 208-230V and 3Ø motors available on 5-Day ship.
3. TEFC, Two-Speed and EXP motors available on 10-Day ship.

SIZE	HP	RPM RANGE	AVAILABILITY ¹			FAN DIMENSIONS			
			ODP 115V 48-HOUR	ODP ² 5-DAY	OTHER ³ 10-DAY	A	B	C	E
070D	1/4	1120-1547	✓	✓	✓	25.88	22.13	2.06	17.00
		1548-2156	✓	✓	✓				
		other	✓	✓	✓				
075D	1/4	965-1438	✓	✓	✓	25.88	22.13	2.06	17.00
		1439-1941	✓	✓	✓				
		other	✓	✓	✓				
085D	1/4	1204-1656	✓	✓	✓	27.88	23.94	2.38	17.00
		1657-2329	✓	✓	✓				
		other	✓	✓	✓				
100D	1/4	754-1119	✓	✓	✓	27.88	23.94	2.38	20.00
	1/3	1120-1556	✓	✓	✓				
		1212-1678	✓	✓	✓				
100DHP	1/4	other	✓	✓	✓	27.88	23.94	2.38	20.00
		1104-1656	✓	✓	✓				
		1657-2329	✓	✓	✓				
120D	1/4	1725-2546	✓	✓	✓	27.88	23.94	2.38	20.00
	1/3	all	✓	✓	✓				
		all	✓	✓	✓				
140D	1/4	718-950	✓	✓	✓	30.44	28.13	2.56	20.00
	1/3	951-1331	✓	✓	✓				
		1101-1468	✓	✓	✓				
140DHP	1/4	1113-1669	✓	✓	✓	30.44	28.25	2.81	24.00
		other	✓	✓	✓				
		all	✓	✓	✓				
160D	1/4	615-802	✓	✓	✓	30.44	28.25	2.81	24.00
	1/3	803-1131	✓	✓	✓				
		915-1267	✓	✓	✓				
160DHP	1/4	1019-1411	✓	✓	✓	30.44	28.25	2.81	24.00
		other	✓	✓	✓				
		all	✓	✓	✓				
180D	1/4	965-1448	✓	✓	✓	32.63	29.00	3.38	26.00
	1/3	1449-2070	✓	✓	✓				
		all	✓	✓	✓				
180DHP	1/4	460-683	✓	✓	✓	32.63	29.00	3.38	26.00
		684-950	✓	✓	✓				
		704-1056	✓	✓	✓				
210D	1/4	863-1194	✓	✓	✓	32.63	29.00	3.38	26.00
	1/3	other	✓	✓	✓				
		all	✓	✓	✓				
240D	1/4	570-842	✓	✓	✓	38.38	33.88	3.75	30.00
	1/3	other	✓	✓	✓				
		all	✓	✓	✓				
240DHP	1/4	all	✓	✓	✓	38.38	33.88	3.75	30.00
		all	✓	✓	✓				
		all	✓	✓	✓				
300D	1/4	all	✓	✓	✓	38.38	34.06	4.00	30.00
	1/3	all	✓	✓	✓				
		all	✓	✓	✓				
300DHP	1/4	all	✓	✓	✓	38.38	34.06	4.00	30.00
		all	✓	✓	✓				
		all	✓	✓	✓				
360D	1/4	all	✓	✓	✓	43.13	35.88	4.88	34.00
	1/3	all	✓	✓	✓				
		all	✓	✓	✓				
360DHP	1/4	all	✓	✓	✓	43.13	35.88	4.88	34.00
		all	✓	✓	✓				
		all	✓	✓	✓				
420D	1/4	all	—	✓	✓	51.38	38.88	4.88	40.00
	1/3	all	—	✓	✓				
		all	—	✓	✓				
480D	1/4	all	—	✓	✓	51.38	38.88	4.88	40.00
		all	—	✓	✓				
		all	—	✓	✓				
480DHP	1/4	all	—	✓	✓	60.75	44.38	6.88	46.00
		all	—	✓	✓				
		all	—	✓	✓				
500D	1/4	all	—	✓	✓	65.81	47.81	7.00	52.00
	1/3	all	—	✓	✓				
		all	—	✓	✓				
500DHP	1/4	all	—	✓	✓	65.81	47.81	7.00	52.00
		all	—	✓	✓				
		all	—	✓	✓				



APPLICATION

General Exhaust – The DCRU is designed for roof mounted exhaust of relatively clean air in applications where it is desirable to move the exhausted air up and away from the building.

Kitchen Exhaust – The DCRUR is similar to the DCRU, but is specifically designed for exhausting grease-laden air from kitchens, restaurants, cooking and dishwasher hoods. Model DCRUR is cULus 762 listed for the exhaust of grease-laden air.

SIZES

8.38" to 18.25" wheel diameters

PERFORMANCE

Airflow to 3,865 CFM

Static pressure to 1.5" w.g.

LITERATURE (Available at www.tcf.com)

Catalog 4105

Installation and Maintenance Manual - IM-4050

ACCESSORIES

See page 11.

SIZE	HP	RPM	AVAILABILITY ¹					FAN DIMENSIONS				
			ODP 115V ^{3,4}		ODP 2 ⁴		EC-ODP 115V ⁵		A	B	C	E
			48-HOUR	5-DAY	10-DAY	5-DAY	10-DAY					
071B	1/8	860	✓	✓	✓	—	—	22.00	24.44	18.00	17.00	
072B		1160	✓	✓	✓	—	—					
073B		1650	✓	✓	✓	—	—					
073BE	1/4	1800	—	—	—	✓	✓					
081B	1/8	860	✓	✓	✓	—	—	22.00	24.44	18.00	17.00	
082B		1160	✓	✓	✓	—	—					
083B		1750	✓	✓	✓	—	—					
083BE	1/4	1800	—	—	—	✓	✓					
091B	1/8	860	✓	✓	✓	—	—	22.00	26.13	18.00	20.00	
092B		1160	✓	✓	✓	—	—					
093B		1750	✓	✓	✓	—	—					
093BE	1/4	1800	—	—	—	✓	✓					
110B	all	all	✓	✓	✓	—	—	30.00	28.31	28.00	24.00	
110BE	1/2	1800	—	—	—	✓	✓					
120B	all	all	✓	✓	✓	—	—	30.00	27.19	28.00	24.00	
120BE	3/4	1800	—	—	—	✓	✓					
140B	all	all	✓	✓	✓	—	—	30.00	27.69	28.00	24.00	
140BE	1	1800	—	—	—	✓	✓					
160B	all	all	✓	✓	✓	—	—	30.00	29.81	28.00	24.00	
160BE	1	1200	—	—	—	✓	✓					
180B	all	all	✓	✓	✓	—	—	36.00	29.19	30.00	30.00	
180BE	1	1200	—	—	—	✓	✓					

NOTES:

1. Availability is in working days.
2. ODP 1Ø 208-230V and ODP 3Ø 208-230, 460V motors available on 5-Day ship.
3. All ODP 115V 1Ø motor options are Speed Controllable.
4. Thermal overload motors are exempt from QuickShip.
5. Remote mounted speed dial is not available.

APPLICATION

General Exhaust – The BCRU is designed for roof mounted exhaust of relatively clean air in applications where it is desirable to move the exhausted air up and away from the building.

Kitchen Exhaust – The BCRUR is similar to the BCRU, but is specifically designed for exhausting grease-laden air from kitchens, restaurants, cooking and dishwasher hoods. Model BCRUR is cULus 762 listed for the exhaust of grease-laden air.

SIZES

BCRU – 12.25" to 50.0" wheel diameters
BCRUR – 12.25" to 39.75" wheel diameters

PERFORMANCE

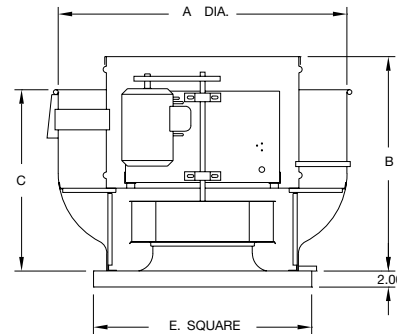
BCRU – Airflow to 29,100 CFM
Static pressure to 3.25" w.g.
BCRUR – Airflow to 17,400 CFM
Static pressure to 3.25" w.g.

LITERATURE

(Available at www.tcf.com)
Catalog 4105
Installation and Maintenance Manual - IM-4050

ACCESSORIES

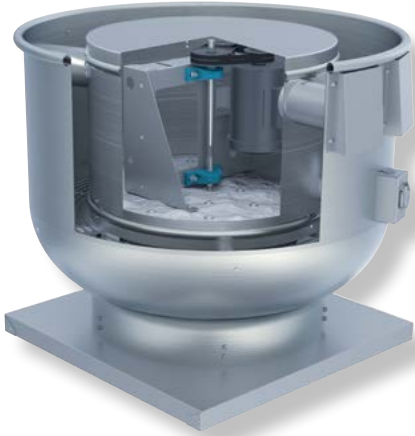
See page 11.



SIZE	HP	RPM RANGE	AVAILABILITY ¹			FAN DIMENSIONS			
			ODP 115V	ODP ²	Other ³	A	B	C	E
			48-HOUR	5-DAY	10-DAY				
110B	1/4	789-1141	✓	✓	✓	30.00	28.56	28.00	24.00
		1142-1556	✓	✓	✓				
	1/3	1150-1725	✓	✓	✓				
	all	other	✓	✓	✓				
120B	1/4	633-941	✓	✓	✓	30.00	27.19	28.00	24.00
		942-1310	✓	✓	✓				
	1/3	1068-1478	✓	✓	✓				
	all	other	✓	✓	✓				
140B	1/4	831-1150	✓	✓	✓	30.00	27.68	28.00	24.00
	all	other	✓	✓	✓		28.56		
140BHP	all	all	✓	✓	✓		29.81		
160B	all	all	✓	✓	✓	30.00	28.44	28.00	24.00
160BMP	all	all	✓	✓	✓		27.68		
160BHP	all	all	✓	✓	✓		32.31		
180B	all	all	✓	✓	✓	36.00	29.19	30.00	30.00
180BMP	all	all	✓	✓	✓		31.00		
180BHP	all	all	✓	✓	✓		35.61		
210B	all	all	✓	✓	✓	45.00	32.94	28.25	34.00
210BHP	all	all	✓	✓	✓		37.56		
240B	all	all	✓	✓	✓	45.00	34.31	28.25	34.00
240BHP	all	all	✓	✓	✓		38.25		
300B	all	all	—	✓	✓	54.00	34.88	31.00	40.00
300BHP	all	all	—	✓	✓		43.88		
360B	all	all	—	✓	✓	63.00	39.68	34.00	46.00
360BHP	all	all	—	✓	✓		46.75		
420B	all	all	—	✓	✓	69.00	46.75	36.00	52.00
480B	all	all	—	✓	✓	75.00	49.13	39.00	58.00

NOTES:

1. Availability is in working days.
2. ODP 1Ø 208-230V and ODP 3Ø motors available on 5-Day ship.
3. TEFC, Two-Speed and EXP motors available on 10-Day ship.
4. BCRUR is available in sizes 110 through 360 HP.



APPLICATION

Designed to remove smoke from buildings in the event of a fire. The BCRUSH is UL listed for Smoke Control Systems, 500°F for 4 hours and 1000°F for 15 minutes.

SIZES

12.25" to 49.21" wheel diameters

PERFORMANCE

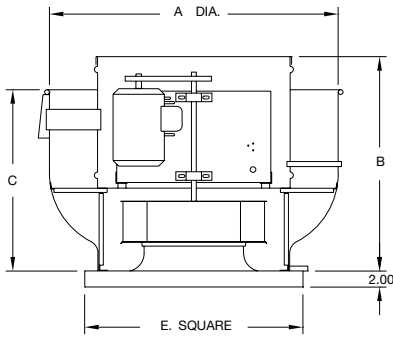
Airflow to 29,100 CFM
Static pressure to 3.25" w.g.

LITERATURE (Available at www.tcf.com)

Catalog 4105
Installation and Maintenance Manual - IM-4050

ACCESSORIES

See page 11.



SIZE	HP	RPM	AVAILABILITY ¹	FAN DIMENSIONS			
			OTHER ² 10-DAY	A	B	C	E
110B	all	all	✓	30.00	28.56	28.00	24.00
120B	all	all	✓	30.00	27.19	28.00	24.00
140B	all	all	✓	30.00	27.68	28.00	24.00
140BHP	all	all	✓		28.56		
160	all	all	✓	30.00	29.81	28.00	24.00
160BMP	all	all	✓		28.44		
160BHP	all	all	✓		27.68		
180B	all	all	✓	36.00	32.31	30.00	30.00
180BMP	all	all	✓		29.19		
180BHP	all	all	✓		31.00		
210B	all	all	✓	45.00	35.61	28.25	34.00
210BHP	all	all	✓		32.94		
240B	all	all	✓	45.00	37.56	28.25	34.00
240BHP	all	all	✓		34.31		
300B	all	all	✓	54.00	38.25	31.00	40.00
300BHP	all	all	✓		34.88		
360B	all	all	✓	63.00	43.88	34.00	46.00
360BHP	all	all	✓		39.68		
420B	all	all	✓	69.00	46.75	36.00	52.00
480B	all	all	✓	75.00	49.13	39.00	58.00

NOTES:

1. Availability is in working days.
2. TEFC motors available on 10-Day ship

APPLICATION

General Exhaust – The DCRW is designed for exhaust of relatively clean air in a wall mounted, horizontal application.

Kitchen Exhaust – The DCRWR is similar to the DCRW, but is specifically designed for exhausting grease-laden air from kitchens, restaurants, cooking and dishwasher hoods. Model DCRWR is cULus 762 listed for the exhaust of grease-laden air.

SIZES

8.38" to 18.25" wheel diameters

PERFORMANCE

Airflow to 3,865 CFM

Static pressure to 1.5" w.g.

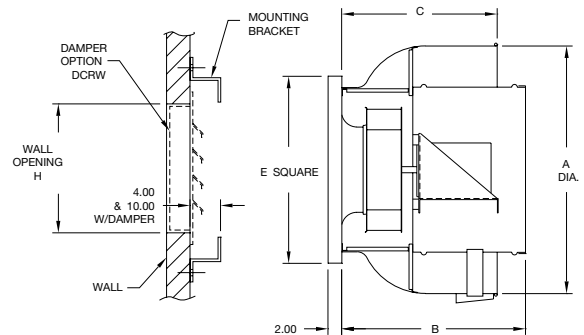
LITERATURE (Available at www.tcf.com)

Catalog 4105

Installation and Maintenance Manual - IM-4050

ACCESSORIES

See page 11.



SIZE	HP	RPM	AVAILABILITY ¹					FAN DIMENSIONS						
			ODP 115V ^{3,4}		ODP ^{2,4}		OTHER ⁴	EC-ODP 115V ⁵		A	B	C	E	H SQ.
			48-HOUR	5-DAY	5-DAY	10-DAY	10-DAY	5-DAY	10-DAY					
071B	1/8	860	✓	✓	✓	—	—	22.00	24.44	18.00	17.00	10.50		
072B		1160	✓	✓	✓	—	—							
073B		1650	✓	✓	✓	—	—							
073BE	1/4	1800	—	—	—	✓	✓	22.00	24.44	18.00	17.00	10.50		
081B	1/8	860	✓	✓	✓	—	—							
082B		1160	✓	✓	✓	—	—							
083B		1/3	1750	✓	✓	✓	—	—						
083BE	1/4	1800	—	—	—	✓	✓	22.00	26.13	18.00	20.00	14.50		
091B	1/8	860	✓	✓	✓	—	—							
092B		1160	✓	✓	✓	—	—							
093B		1/3	1750	✓	✓	✓	—	—						
093BE	1/4	1800	—	—	—	✓	✓	30.00	28.31	28.00	24.00	17.50		
110B	all	all	✓	✓	✓	—	—							
110BE	1/2	1800	—	—	—	✓	✓							
120B	all	all	✓	✓	✓	—	—	30.00	27.19	28.00	24.00	17.50		
120BE	3/4	1800	—	—	—	✓	✓							
140B	all	all	✓	✓	✓	—	—							
140BE	1	1800	—	—	—	✓	✓	30.00	27.69	28.00	24.00	17.50		
160B	all	all	✓	✓	✓	—	—							
160BE	1	1200	—	—	—	✓	✓							
180B	all	all	✓	✓	✓	—	—	36.00	29.19	30.00	30.00	24.50		
180BE	1	1200	—	—	—	✓	✓							

NOTES:

1. Availability is in working days.
2. ODP 1Ø 208-230V and ODP 3Ø 208-230, 460V motors available on 5-Day ship.
3. All ODP 115V 1Ø motor options are Speed Controllable.
4. Thermal overload motors are exempt from QuickShip.
5. Remote mounted speed dial is not available.



APPLICATION

General Exhaust – The BCRW is designed for exhaust of relatively clean air in a wall mounted, horizontal application.

Kitchen Exhaust – The BCRWR is similar to the BCRW, but is specifically designed for exhausting grease-laden air from kitchens, restaurants, cooking and dishwasher hoods. Model BCRWR is cULus 762 listed for the exhaust of grease-laden air.

SIZES

12.25" to 31.75" wheel diameters

PERFORMANCE

Airflow to 11,600 CFM

Static pressure to 3.25" w.g.

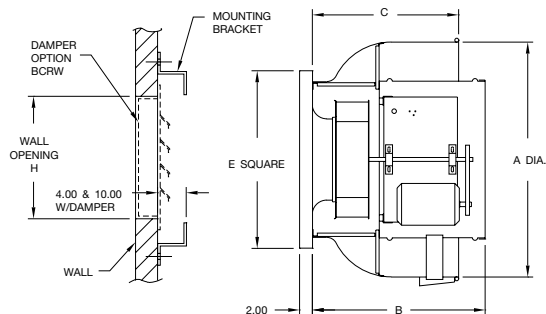
LITERATURE (Available at www.tcf.com)

Catalog 4105

Installation and Maintenance Manual - IM-4050

ACCESSORIES

See page 11.



SIZE	HP	AVAILABILITY ¹			FAN DIMENSIONS				
		ODP 115V 48-HOUR	ODP ² 5-DAY	OTHER ³ 10-DAY	A	B	C	E	H SQ.
110B	all	✓	✓	✓	30.00	28.56	28.00	24.00	17.50
120B	all	✓	✓	✓	30.00	27.19			
140B	all	✓	✓	✓	30.00	27.68	28.00	24.00	17.50
140BHP	all	✓	✓	✓		28.56			
160B	all	✓	✓	✓	30.00	29.81	28.00	24.00	17.50
160BMP	all	✓	✓	✓		28.44			
160BHP	all	✓	✓	✓		27.68			
180B	all	✓	✓	✓		32.31			
180BMP	all	✓	✓	✓	36.00	29.19	30.00	30.00	24.50
180BHP	all	✓	✓	✓		31.00			
210B	all	✓	✓	✓		35.61			
210BHP	all	✓	✓	✓	45.00	32.94	28.25	34.00	27.50
240B	all	✓	✓	✓		37.56			
240BHP	all	✓	✓	✓	45.00	34.31	28.25	34.00	27.50
300B	all	—	✓	✓		38.25			
300BHP	all	—	✓	✓	54.00	34.88	31.00	40.00	34.50

NOTES:

1. Availability is in working days.
2. ODP 10 208-230V and ODP 30 motors available on 5-Day ship.
3. TEFC, Two-Speed and EXP motors available on 10-Day ship.



Models

DCRD, BCRD, DCRU/DCRUR, BCRU/BCRUR, BCRUSH, DCRW/DCRWR, BCRW/BCRWR

DCRD, BCRD, DCRU, BCRU FAN ACCESSORIES		AVAILABILITY ¹			
		48-HOUR	5-DAY	10-DAY	15-DAY
Roof Curbs ²	12" Galv. Canted	✓	✓	✓	✓
	12" Galv. Self-Flashing	✓	✓	✓	✓
Backdraft Dampers	Gravity	✓	✓	✓	✓
	Motorized	✓	✓	✓	✓
Aluminum Nameplate		✓	✓	✓	✓
Curb Hinge ⁴		✓	✓	✓	✓
Retaining Chain		✓	✓	✓	✓
Security Hasp		✓	✓	✓	✓
Speed Control (for direct drive fans only)		✓ ³	✓	✓	✓
NEMA 1 Disconnect Switch ³		✓	✓	✓	✓
NEMA 3R Disconnect Switch ³		✓	✓	✓	✓
NEMA 4 Disconnect Switch ³		✓	✓	✓	✓
Stainless Steel Shaft		—	—	✓	✓
Two-Speed Switch ³ (for belt driven fans only)		—	—	✓	✓
Firestat ³		—	—	✓	✓
Aluminum Birdscreen		—	✓	✓	✓
Insect Screen (Aluminum)		—	✓	✓	✓
Coatings	Enamel, Air-dried (Gray)	—	—	✓	✓
	Epoxy, Air-dried (Black)	—	—	—	✓
	Phenolic Heresite, Air-dried (Gray)	—	—	—	✓

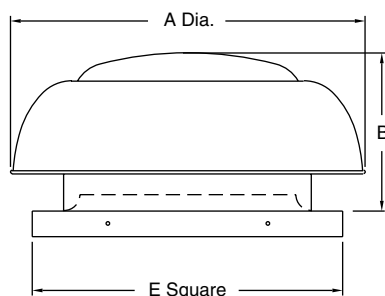
DCRUR, BCRUR, BCRUSH FAN ACCESSORIES		AVAILABILITY ¹			
		48-HOUR	5-DAY	10-DAY	15-DAY
Roof Curbs ²	12" Galv. SF, Vented	✓	✓	✓	✓
Grease Box and Drain		✓	✓	✓	✓
Aluminum Nameplate		✓	✓	✓	✓
Curb Hinge		✓	✓	✓	✓
Retaining Chain		✓	✓	✓	✓
Security Hasp		✓	✓	✓	✓
Speed Control (for direct drive fans only)		✓ ³	✓	✓	✓
NEMA 1 Disconnect Switch ³		✓	✓	✓	✓
NEMA 3R Disconnect Switch ³		✓	✓	✓	✓
NEMA 4 Disconnect Switch ³		✓	✓	✓	✓
Stainless Steel Shaft		—	—	✓	✓
Two-Speed Switch ³ (for belt driven fans only)		—	—	✓	✓
Firestat ³		—	—	✓	✓
Coatings	Enamel, Air-dried (Gray)	—	—	✓	✓
	Epoxy, Air-dried (Black)	—	—	—	✓
	Phenolic Heresite, Air-dried (Gray)	—	—	—	✓

DCRW, BCRW FAN ACCESSORIES		AVAILABILITY ¹			
		48-HOUR	5-DAY	10-DAY	15-DAY
Backdraft Dampers	Gravity	✓	✓	✓	✓
	Motorized	✓	✓	✓	✓
Aluminum Nameplate		✓	✓	✓	✓
Speed Control (for direct drive fans only)		✓ ³	✓	✓	✓
NEMA 1 Disconnect Switch ³		✓	✓	✓	✓
NEMA 3R Disconnect Switch ³		✓	✓	✓	✓
NEMA 4 Disconnect Switch ³		✓	✓	✓	✓
Stainless Steel Shaft		—	—	✓	✓
Two-Speed Switch ³ (for belt driven fans only)		—	—	✓	✓
Firestat ³		—	—	✓	✓
Insect Screen		—	✓	✓	✓
Coatings	Enamel, Air-dried (Gray)	—	—	✓	✓
	Epoxy, Air-dried (Black)	—	—	—	✓
	Phenolic Heresite, Air-dried (Gray)	—	—	—	✓

DCRWR, BCRWR FAN ACCESSORIES		AVAILABILITY ¹			
		48-HOUR	5-DAY	10-DAY	15-DAY
Aluminum Nameplate		✓	✓	✓	✓
Speed Control (for direct drive fans only)		✓ ³	✓	✓	✓
NEMA 1 Disconnect Switch ³		✓	✓	✓	✓
NEMA 3R Disconnect Switch ³		✓	✓	✓	✓
NEMA 4 Disconnect Switch ³		✓	✓	✓	✓
Stainless Steel Shaft		—	—	✓	✓
Firestat ³		—	—	✓	✓
Coatings	Enamel, Air-dried (Gray)	—	—	✓	✓
	Epoxy, Air-dried (Black)	—	—	—	✓
	Phenolic Heresite, Air-dried (Gray)	—	—	—	✓

NOTES:

1. Availability is in working days.
2. Roof curbs will ship with fan(s) on QuickShip Program.
3. Shipped loose for field mount.
4. Curb hinge is for use with canted curbs only. (Will work with self-flashing BCRUR, BCRUSH and DCRUR curbs.)



APPLICATION

Low silhouette spun aluminum gravity ventilator designed to match the appearance of spun aluminum power roof ventilators. Provides natural gravity ventilation and may also be used as an intake if sized properly.

SIZES

9" to 48.3" square throat sizes

PERFORMANCE

Relief – Airflow to 25,100 CFM
Intake – Airflow to 23,000 CFM
Static pressure to 0.375" w.g.

LITERATURE (Available at www.tcf.com)

Catalog 4700
Installation and Maintenance Manual - IM-4700

ACCESSORIES

See below.

SIZE	AVAILABILITY ¹			FAN DIMENSIONS		
	48-HOUR	5-DAY	10-DAY	A	B	E
090B	✓	✓	✓	22.50	8.25	16.50
120B	✓	✓	✓	27.50	11.25	24.00
160B	✓	✓	✓	27.50	12.25	24.00
180B	✓	✓	✓	32.25	12.25	29.50
210B	✓	✓	✓	32.25	12.75	29.50
240B	✓	✓	✓	40.50	16.00	35.50
270B	✓	✓	✓	40.50	16.50	35.50
300B	✓	✓	✓	50.00	19.00	42.50
320B	✓	✓	✓	50.00	19.50	42.50
360B	✓	✓	✓	50.00	19.50	42.50
420B	✓	✓	✓	60.00	21.50	52.00
480B	✓	✓	✓	74.00	27.25	58.00

NOTES:

1. Availability is in working days.
2. Roof curbs will ship with ventilator(s) on QuickShip Program.
3. For intake units, a minimum curb height of 12" is recommended.
4. Curb hinge for use with canted curbs only.

FAN ACCESSORIES		AVAILABILITY ¹		
		48-HOUR	5-DAY	10-DAY
Roof Curbs ^{2,3}	12" Galv. Canted	✓	✓	✓
	12" Self-Flashing	✓	✓	✓
Backdraft Dampers	Gravity	✓	✓	✓
	Mortorized	✓	✓	✓
Curb Hinge ⁴		✓	✓	✓
Aluminum Birdscreen		—	✓	✓
Insect Screen (aluminum)		✓	✓	✓

APPLICATION

Specifically designed for duct applications handling relatively clean air, including supply, exhaust and return air systems. These fans offer high efficiency and quiet operation in a compact design that can be mounted in bottom horizontal or top horizontal positions. Duct collars are provided for easy mounting connections.

SIZES

8" to 20" wheel diameters

PERFORMANCE

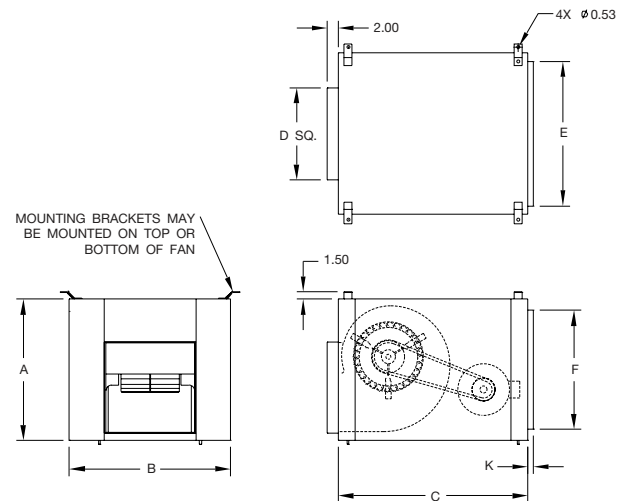
Airflow to 18,500 CFM
Static pressure to 3.5" w.g.

LITERATURE (Available at www.tcf.com)

Catalog 4220
Installation and Maintenance Manual - IM-4220

ACCESSORIES

See page 15.

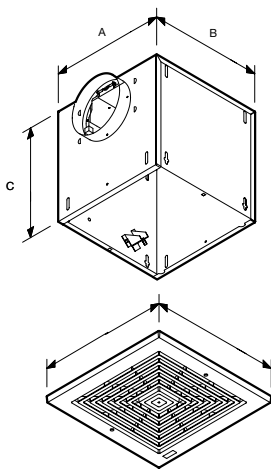


SIZE	HP	AVAILABILITY ¹		FAN DIMENSIONS						
		ODP ²	Other ³	A	B	C	D SQ.	E	F	K
		5-DAY	10-DAY							
080	all	✓	✓	16.13	18.38	23.31	10.53	15.38	13.13	1.00
090	all	✓	✓	18.00	20.63	24.31	11.75	17.63	15.00	1.00
100	all	✓	✓	19.69	22.25	28.31	13.13	19.25	16.69	1.00
120	all	✓	✓	25.25	28.75	33.81	16.38	25.75	21.25	1.00
140	all	✓	✓	27.50	32.38	34.09	18.31	28.38	23.50	1.50
160	all	✓	✓	30.75	36.25	38.09	20.44	32.25	26.75	1.50
180	all	✓	✓	34.88	41.00	43.09	22.88	37.00	30.88	1.50
200	all	✓	✓	38.63	45.38	47.59	25.59	41.38	34.63	2.00

NOTES:

1. Availability is in working days.
2. ODP motors available on 5-Day ship.
3. TEFC available on 10-Day ship.

Model T050



APPLICATION

Designed for commercial applications requiring quiet, continuous, reliable operation. Exhausters are constructed with a low profile grille and are easy to duct horizontally, vertically or inline, with many models offering round duct connectors as standard.

PERFORMANCE

T – Airflow to 1,590 CFM
Static pressure to 1" w.g.
TL – Airflow to 3,868 CFM
Static pressure to 1" w.g.

LITERATURE (Available at www.tcf.com)

Catalog 4600
Installation and Maintenance Manuals on website per size.

ACCESSORIES

See page 15.

SIZE	P/N	AVAILABILITY ¹			FAN DIMENSIONS			DUCT CONNECTOR
		ODP ²			A	B	C	
		48-HOUR	5-DAY	10-DAY				
T050	59120001	✓	✓	✓	7.50	7.25	3.63	3.00
T080E	59120011	✓	✓	✓				
T080LP	59120004	✓	✓	✓				
T081	59120003	✓	✓	✓	10.00	9.25	5.75	4.00
T100	59120101	✓	✓	✓	12.25	12.25	11.75	6.00
T110E	59120012	✓	✓	✓				
T150LP	59120005	✓	✓	✓				
T150	59120102	✓	✓	✓				8.00
T200	59120103	✓	✓	✓				
T250	59120104	✓	✓	✓				
T300	59120105	✓	✓	✓	21.50	12.25	11.75	4.50 x 18.50
T400	59120106	✓	✓	✓				
T500	59120107	✓	✓	✓				
T700	59120108	✓	✓	✓				
T900	59120109	✓	✓	✓	22.00	18.00	18.00	8.00 x 12.00
T1500	59120110	✓	✓	✓				

T100L	59120301	✓	✓	✓	12.25	12.25	11.75	6.00
T150L	59120302	✓	✓	✓				
T200L	59120303	✓	✓	✓				8.00
T250L	59120304	✓	✓	✓				
T300L	59120305	✓	✓	✓				
T400L	59120306	✓	✓	✓	21.50	12.25	11.75	4.50 x 18.50
T500L	59120307	✓	✓	✓				
T700L	59120308	✓	✓	✓				
T900L	59120309	✓	✓	✓				
T1500L	59120310	✓	✓	✓	22.00	18.00	18.00	8.00 x 12.00
T2000L	59120311	—	—	✓				
T3500EXL	59120701	—	—	✓	45.75	16.75	16.75	9.75 x 41.38

NOTES:

1. Availability is in working days.
2. All motors are ODP 115V 1Ø, except T3500EXL (240V 1Ø).

T and TL FAN ACCESSORIES		AVAILABILITY ¹		
		48-HOUR	5-DAY	10-DAY
Speed Control ²	Remote Mount, 120V, 3A	✓	✓	✓
	Remote Mount, 120V, 6A	✓	✓	✓
	Remote Mount, 240V, 6A (T3500EXL)	—	—	✓
	Unit Mounted, 120V, 3A ³	✓	✓	✓
Switch On/Off ²		✓	✓	✓
Timer, 15-Minute ²		✓	✓	✓
Timer, 60-Minute ²		✓	✓	✓
Fan/Light Control, w/ Off-Delay ²		✓	✓	✓
Vibration Isolators		✓	✓	✓
Damper ⁴ (T2000L and T3500EXL only)		—	—	✓
Metal Grille ⁵ (T fans only)		✓	✓	✓
Inline Adapter		✓	✓	✓
Transition (SQ to RD)		✓	✓	✓
Roof Cap	Sloped, Steel	✓	✓	✓
	Sloped, Alum	✓	✓	✓
	Flat, Alum, Flashed	✓	✓	✓
	Flat, Alum, Curb Mounted	✓	✓	✓
Roof Curb ⁶	8" Aluminum, Self-Flashing	—	—	✓
	12" Aluminum, Self-Flashing	—	—	✓
Wall Cap	Aluminum	✓	✓	✓
	Steel, w/ Aluminum Louvers	✓	✓	✓
Radiation Damper ⁷ (T fans only)		—	—	✓



Model T081



Model T100L

NOTES:

1. Availability is in working days.
2. Shipped loose for remote field mount.
3. Unit mounted speed control available for sizes T and TL 100-900.
4. Dampers are standard for all fans except T2000 and T3500EXL.
5. Metal Grills are standard for sizes T400 - T1500
6. For use with flat curb-mounted roof caps.
7. Radiation Dampers are for use with T fans only (not TL).

DBS FAN ACCESSORIES		AVAILABILITY ¹		
		5-DAY	10-DAY	15-DAY
NEMA 1 Disconnect Switch ²		✓	✓	✓
NEMA 3R Disconnect Switch ²		✓	✓	✓
NEMA 4 Disconnect Switch ²		✓	✓	✓
THD Discharge		—	✓	✓
Inlet Screen		✓	✓	✓
Insulated Housing (Neoprene)		—	✓	✓
Backdraft Dampers	Gravity	✓	✓	✓
	Motorized	✓	✓	✓
Aluminum Nameplate		✓	✓	✓
Two-Speed Switch ²		✓	✓	✓
Stainless Steel Hardware ³		—	✓	✓
Vibration Isolators		✓	✓	✓
Weather Hood		✓	✓	✓
Filter Box		—	✓	✓
Filter Box, Painted		—	—	✓
Coatings	Enamel, Air-dried (Gray)	—	✓	✓
	Epoxy, Air-dried (Black)	—	✓	✓
	Phenolic Heresite, A/d (Gray)	—	✓	✓



Model DBS

NOTES:

1. Availability is in working days.
2. Shipped loose for field mounting.
3. Exterior hardware only.



APPLICATION

Specifically designed for duct applications handling relatively clean air, including supply, exhaust and return air systems. DSI fans offer high efficiency and quiet operation in a compact design that can be mounted in any position (horizontal, vertical or angular). Duct collars are provided for easy mounting without the need for square to round duct transitions.

SIZES

10.5" to 18.25" wheel diameters

PERFORMANCE

Airflow to 5,900 CFM

Static pressure to 2" w.g.

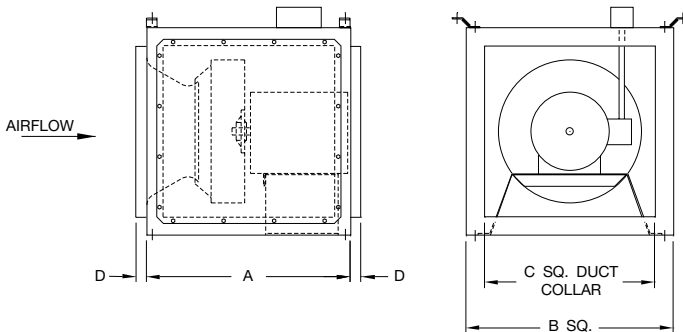
LITERATURE (Available at www.tcf.com)

Catalog 4205

Installation and Maintenance Manual - IM-4205

ACCESSORIES

See page 19.



SIZE	HP	RPM	AVAILABILITY ¹					FAN DIMENSIONS				
			ODP 115V ⁴		Other ^{3,4}		EC-ODP 115V ⁵		A	B	C	D
			48-HOUR	5-DAY	10-DAY	5-DAY	10-DAY					
080A	all	all	—	✓	✓	—	—	19.00	15.33	11.88	1.00	
080AE	1/4	1800	—	—	—	✓	✓					
090A	all	all	—	✓	✓	—	—	19.00	15.33	11.88	1.00	
090AE	1/4	1800	—	—	—	✓	✓					
100A	all	all	—	✓	✓	—	—	20.50	17.81	13.88	1.00	
100AE	1/2	1800	—	—	—	✓	✓					
120A	all	all	—	✓	✓	—	—	21.50	19.35	15.88	1.00	
120AE	3/4	1800	—	—	—	✓	✓					
135A	all	all	—	✓	✓	—	—	23.00	21.56	17.88	1.00	
135AE	3/4	1800	—	—	—	✓	✓					
135AN	all	all	—	✓	✓	—	—					
135ANE	1	1800	—	—	—	✓	✓					
150A	all	all	—	✓	✓	—	—	24.00	23.82	19.88	1.00	
150AE	1	1800	—	—	—	✓	✓					
150AN	all	all	—	✓	✓	—	—					
150ANE	1	1200	—	—	—	✓	✓					
165A	all	all	—	✓	✓	—	—	26.00	26.50	22.88	1.00	
165AE	1	1200	—	—	—	✓	✓					
165AN	all	all	—	✓	✓	—	—					
165ANE	1	1200	—	—	—	✓	✓					

NOTES:

1. Availability is in working days.
2. ODP 115V/208-230 motors available on 5-Day ship.
3. TE and EXP motors available on 10-Day ship.
4. Thermal overload motors are exempt from QuickShip.
5. Remote mounted speed dial is not available.

APPLICATION

Specifically designed for duct applications handling relatively clean air, including supply, exhaust and return air systems. BSI fans offer high efficiency and quiet operation in a compact design that can be mounted in any position (horizontal, vertical or angular). Duct collars are provided for easy mounting without the need for square to round duct transitions.

SIZES

10.5" to 44.5" wheel diameters

PERFORMANCE

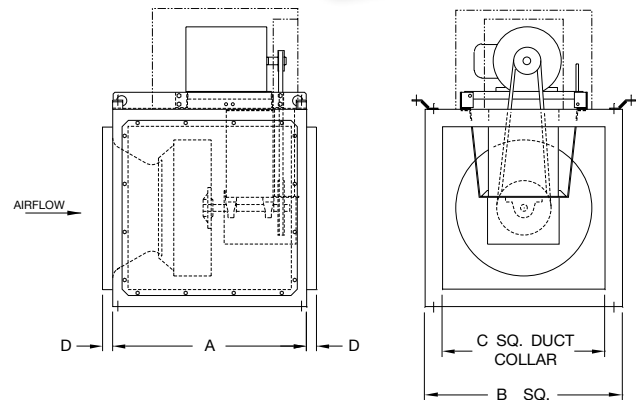
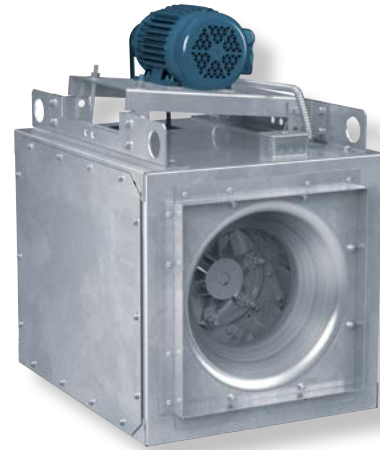
Airflow to 27,400 CFM
Static pressure to 3.5" w.g.

LITERATURE (Available at www.tcf.com)

Catalog 4205
Installation and Maintenance Manual - IM-4205

ACCESSORIES

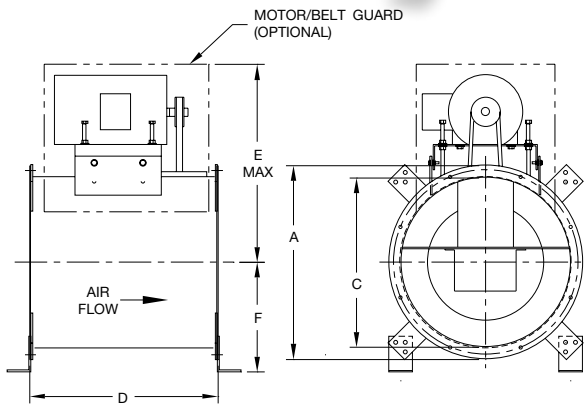
See page 19.



SIZE	HP	AVAILABILITY ¹		FAN DIMENSIONS			
		ODP ²	Other ³	A	B	C	D
		5-DAY	10-DAY				
080A	all	✓	✓	19.00	15.33	11.88	1.00
080AI ⁴	all	—	✓				
090A	all	✓	✓	19.00	15.33	11.88	1.00
090AI ⁴	all	—	✓				
100A	all	✓	✓	20.50	17.81	13.88	1.00
100AI ⁴	all	—	✓				
120A	all	✓	✓	21.50	19.38	15.88	1.00
120AI ⁴	all	—	✓				
120AHP	all	✓	✓				
135A	all	✓	✓	23.00	21.56	17.88	1.00
135AI ⁴	all	—	✓				
135AHP	all	✓	✓				
150A	all	✓	✓	24.00	23.82	19.88	1.00
150AI ⁴	all	—	✓				
150AHP	all	✓	✓				
165A	all	✓	✓	26.00	26.50	22.88	1.00
165AHP	all	✓	✓				
180A	all	✓	✓	28.50	29.00	23.88	1.50
180AHP	all	✓	✓				
210A	all	✓	✓	32.00	32.34	27.88	1.50
210AHP	all	✓	✓				
225A	all	✓	✓	34.00	34.00	29.88	1.50
225AHP	all	✓	✓				
245A	all	✓	✓	36.50	37.50	32.88	1.50
245AHP	all	✓	✓				
270A	all	✓	✓	39.00	40.13	35.88	1.50
270AHP	all	✓	✓				
300A	all	✓	✓	41.50	44.13	39.88	1.50
300AHP	all	✓	✓				
330A	all	✓	✓	45.50	48.81	43.88	1.50
330AHP	all	✓	✓				
365A	all	✓	✓	48.50	50.13	45.88	1.50
365AHP	all	✓	✓				
402A	all	✓	✓	52.00	55.25	51.88	1.50
402AHP	all	✓	✓				

NOTES:

1. Availability is in working days.
2. ODP motors available on 5-Day ship.
3. TEFC, Two-Speed and EXP motors available on 10-Day ship.
4. Fan sizes marked with an "I" (080AI) designate units with neoprene insulation.
5. Thermal overload motors are exempt from QuickShip.
6. ODP 10 motors 115V and 230V available on 5-Day ship.



APPLICATION

General Exhaust – Specifically designed for cost effective, reliable air movement in commercial and light industrial ducted medium pressure applications. The backward inclined fan wheel provides higher efficiencies and lower sound levels than axial type fans.

Kitchen Exhaust – Designed to exhaust grease-laden air from kitchens, restaurants, and cooking and dishwasher hoods. Model TCLBR is cULus 762 listed for the exhaust of grease-laden air.

SIZES

10.5" to 49" wheel diameters

PERFORMANCE

Airflow to 41,700 CFM
Static pressure to 4" w.g.

LITERATURE (Available at www.tcf.com)

Catalog 4215
Installation and Maintenance Manual - ES-895

ACCESSORIES

See page 19.

SIZE/ LEVEL	HP	AVAILABILITY ¹			FAN DIMENSIONS				
		5-DAY	10-DAY	15-DAY	A	C	D	E	F
90A1	1/4 - 3/4	—	—	✓	19.63	16.13	19.50	21.00	11.50
90A2	1/4 - 2	—	—	✓	19.63	16.13	19.50	21.00	11.50
105A1	1/4 - 1	—	—	✓	19.63	16.13	19.50	21.00	11.50
105A2	1/4 - 2	—	—	✓	19.63	16.13	19.50	21.00	11.50
122A1	1/4 - 1.5	—	—	✓	21.75	18.25	20.50	22.50	12.38
122A2	1/4 - 3	—	—	✓	21.75	18.25	20.50	22.50	12.38
135A1	1/4 - 1.5	—	—	✓	24.75	21.25	23.00	25.25	13.38
135A2	1/4 - 5	—	—	✓	24.75	21.25	23.00	25.25	13.38
150A1	1/4 - 2	—	—	✓	25.69	22.19	24.00	26.50	13.75
150A2	1/4 - 5	—	—	✓	25.69	22.19	24.00	26.50	13.75
165A1	1/4 - 3	—	—	✓	27.75	24.25	25.00	28.50	14.50
165A2	1/4 - 5	—	—	✓	27.75	24.25	25.00	28.50	14.50
182A1	1/4 - 3	—	—	✓	33.88	30.38	29.00	30.75	18.63
182A2	1/4 - 7.5	—	—	✓	33.88	30.38	29.00	30.75	18.63
200A1	1/4 - 3	—	—	✓	37.47	33.47	32.00	33.00	19.75
200A2	1/4 - 7.5	—	—	✓	37.47	33.47	32.00	33.00	19.75
222A1	1/4 - 5	—	—	✓	40.50	36.50	34.00	36.50	20.81
222A2	1/4 - 10	—	—	✓	40.50	36.50	34.00	36.50	20.81
245A1	1/3 - 5	—	—	✓	44.00	40.00	34.00	38.75	24.00
245A2	1/3 - 10	—	—	✓	44.00	40.00	34.00	38.75	24.00
270A1	1/2 - 5	—	—	✓	47.38	43.38	40.00	41.00	25.25
270A2	1/2 - 15	—	—	✓	47.38	43.38	40.00	41.00	25.25
300A1	1/2 - 7.5	—	—	✓	52.63	48.63	44.00	44.25	27.13
300A2	1/2 - 15	—	—	✓	52.63	48.63	44.00	44.25	27.13
330A1	1/2 - 7.5	—	—	✓	56.00	53.00	49.00	46.25	29.75
330A2	1/2 - 20	—	—	✓	56.00	53.00	49.00	46.25	29.75
365A1	3/4 - 10	—	—	✓	58.63	54.63	52.50	48.00	30.75
365A2	3/4 - 20	—	—	✓	58.63	54.63	52.50	48.00	30.75
402A1	3/4 - 10	—	—	✓	64.63	60.63	56.00	51.50	33.00
402A2	3/4 - 25	—	—	✓	64.63	60.63	56.00	51.50	33.00
445A1	1 - 15	—	—	✓	71.75	66.75	60.00	56.25	36.50
445A2	1 - 30	—	—	✓	71.75	66.75	60.00	56.25	36.50
490A1	1 - 15	—	—	✓	77.75	72.75	63.50	59.63	39.50
490A2	1 - 40	—	—	✓	77.75	72.75	63.50	59.63	39.50

NOTES:
1. Availability is in working days.

DSI, BSI FAN ACCESSORIES		AVAILABILITY ¹			
		48-HOUR	5-DAY	10-DAY	15-Day
Belt Guard (BSI)		—	✓	✓	✓
Motor Cover (BSI)		—	✓	✓	✓
Side Discharge		—	✓	✓	✓
Inlet/Outlet Guard		—	✓	✓	✓
Extended Lubrication Lines (BSI)		—	✓	✓	✓
Insulated Housing (Neoprene)		—	—	✓	✓
Backdraft Dampers	Gravity	—	✓	✓	✓
	Motorized	—	✓	✓	✓
Aluminum Construction		—	—	✓	✓
AMCA Spark 'B' (BSI)		—	✓	✓	✓
Aluminum Namplate		—	✓	✓	✓
Speed Control (DSI) ²		—	✓	✓	✓
Stainless Steel Shaft		—	—	✓	✓
Two-Speed Switch ²		—	✓	✓	✓
Vibration Isolators		—	✓	✓	✓
Filter Box		—	—	—	✓
Filter Box, Painted		—	—	—	✓
Coatings ³	Enamel, Air-dried (Gray) ⁴	—	—	✓	✓
	Epoxy, Air-dried (Black)	—	—	—	✓
	Phenolic Heresite, A/d (Gray)	—	—	—	✓



Model BSI



Model DSI

NOTES:

1. Availability is in working days.
2. Shipped loose for field mount.
3. Coatings are for steel fans only.
4. Exterior only.

ACCESSORIES
TUBULAR CENTRIFUGAL INLINE FANS (TCLB & TCLBR)

TCLB, TCLBR FAN ACCESSORIES		AVAILABILITY ¹		
		5-DAY	10-DAY	15-Day
NEMA 1 Disconnect Switch ²		—	—	✓
NEMA 3R Disconnect Switch ²		—	—	✓
NEMA 4 Disconnect Switch ²		—	—	✓
NEMA 7/9 Disconnect Switch ²		—	—	✓
Access Door	Bolted	—	—	✓
	Hinged	—	—	✓
Belt Guard		—	—	✓
Motor Cover		—	—	✓
Inlet and/or Outlet Guard		—	—	✓
Flange, Companion		—	—	✓
Type 'B' Spark Resistant Construction ³		—	—	✓
Stainless Steel Shaft		—	—	✓
Aluminum Construction		—	—	✓
Inspection Section, Inlet or Outlet		—	—	✓
Vibration Isolators		—	—	✓
Drain - Standard or Standard w/Plug		—	—	✓
Extended Lube Lines - Copper ⁴		—	—	✓
Nameplate - Aluminum or Stainless Steel		—	—	✓
Coatings	Enamel, Air-dried (Gray)	STANDARD		
	Epoxy, Air-dried (Black)	—	—	✓
	Phenolic Heresite, A/d (Gray)	—	—	✓



Model TCLB

NOTES:

1. Availability is in working days.
2. Shipped loose for field mount.
3. Includes aluminum bearing cover and aluminum wheel (standard up to size 270).
4. Polyethylene lube lines are standard.



APPLICATION

Designed for low static pressures and can be mounted in a wall vertically or in a ceiling horizontally.

SIZES

8" to 24" wheel diameters

PERFORMANCE

Airflow to 7,615 CFM

Static pressure to 0.625" w.g.

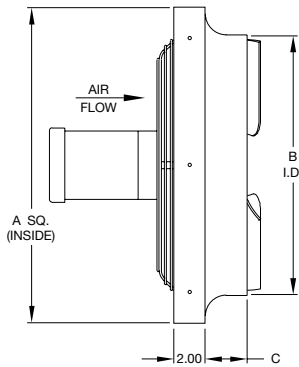
LITERATURE (Available at www.tcf.com)

Catalog 4800

Installation and Maintenance Manual - IM-4800

ACCESSORIES

See page 23.



SIZE	HP	RPM	AVAILABILITY ¹				FAN DIMENSIONS				
			ODP ^{2, 5, 6}		Other ^{3, 6}		EC-ODP 115V ⁷		A	B	C
			5-DAY	10-DAY	5-DAY	10-DAY	5-DAY	10-DAY			
080A	1/8	1350 ⁴	✓	✓	—	—	13.25	8.38	1.25		
081A		1500 ⁴	✓	✓	—	—					
082A		1650 ⁴	✓	✓	—	—					
082AE	1/4	1800	—	—	✓	✓	15.25	10.38	1.50		
100A	1/8	1350 ⁴	✓	✓	—	—					
101A		1500 ⁴	✓	✓	—	—					
102A		1650 ⁴	✓	✓	—	—					
102AE	1/4	1800	—	—	✓	✓	18.25	12.38	2.00		
120A	1/8	1350 ⁴	✓	✓	—	—					
121A		1500 ⁴	✓	✓	—	—					
122A		1650 ⁴	✓	✓	—	—					
122AE	1/4	1800	—	—	✓	✓	21.25	14.50	2.75		
140A	1/8	860	✓	✓	—	—					
141A	1/6	1140	✓	✓	—	—					
142A	1/3	1725	✓	✓	—	—					
142AE	1/2	1800	—	—	✓	✓	23.25	16.50	3.00		
160A	1/8	860	✓	✓	—	—					
161A	1/4	1140	✓	✓	—	—					
162A	1/2	1725	✓	✓	—	—					
162AE	3/4	1800	—	—	✓	✓	25.25	18.50	3.00		
180A	1/6	860	✓	✓	—	—					
181A	1/4	1140	✓	✓	—	—					
182A	3/4	1725	✓	✓	—	—					
182AE	3/4	1800	—	—	✓	✓	27.25	20.63	3.00		
200A	1/4	860	✓	✓	—	—					
201A	1/2	1140	✓	✓	—	—					
202A	3/4	1725	✓	✓	—	—					
202AE	3/4	1800	—	—	✓	✓	30.25	24.63	3.00		
240A	1/2	860	✓	✓	—	—					
241A	1/2	1140	✓	✓	—	—					
242A	1	1140	✓	✓	—	—					

NOTES:

1. Availability is in working days, exhaust configuration only. Contact factory for supply configuration availability.
2. ODP motors available on 5-Day ship.
3. TE motors available on 10-Day ship.
4. Three speed motor.
5. All ODP 115V 1Ø motor options are Speed Controllable.
6. Thermal overload motors are exempt from QuickShip.
7. Remote mounted speed dial is not available.

APPLICATION

Specifically designed for cost effective, general-purpose ventilation. Available in either exhaust or supply configurations. The galvanized steel panel design is available with cast aluminum³ propellers to meet specific application requirements.

SIZES

14" to 48" wheel diameters

PERFORMANCE

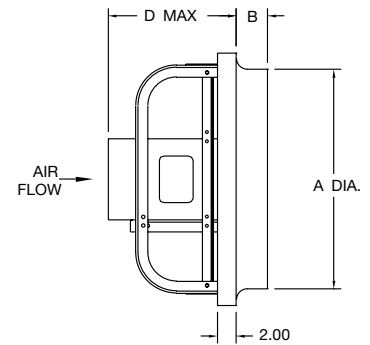
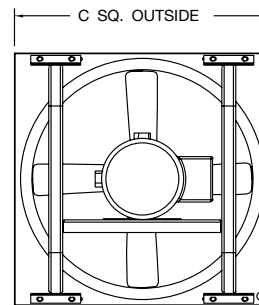
Airflow to 35,300 CFM
Static pressure to 1" w.g.

LITERATURE (Available at www.tcf.com)

Catalog 4820
Installation and Maintenance Manual - IM-4800
Installation and Maintenance Manual - ES-404

ACCESSORIES

See page 23.

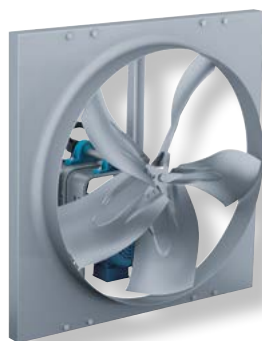


Exhaust Airflow

SIZE	HP	RPM	AVAILABILITY ¹		FAN DIMENSIONS			
			ODP	Other ²	A	B ⁴	C ⁴	D MAX.
			5-DAY	10-DAY				
14E4	1/4, 1/3	1725	✓	✓	14.25	2.75	17.00	11.18
14E8	1/4, 1/3		✓	✓				
16E4	1/4 - 1/2	1725	✓	✓	16.25	3.00	20.00	11.18
16E8	1/3, 1/2		✓	✓				
18E4	1/3 - 3/4	1725	✓	✓	18.25	3.00	22.00	11.18
18E8	1/2, 3/4		✓	✓				
21E4	1/2 - 1 1/2	1725	✓	✓	21.25	3.50	25.00	14.41
21E8	3/4 - 1 1/2		✓	✓				
24E4	1/2 - 2	1725	✓	✓	24.25	3.50	28.00	14.55
24E8	1 - 3		✓	✓				
30E4	3/4 - 2	1160	✓	✓	30.38	4.00	36.00	14.74
30E8	1 - 2		✓	✓				
36E4	1 - 5	1160	✓	✓	36.38	5.00	42.00	15.67
36E8	2 - 5		✓	✓				
42E4	1 1/2 - 5	860	✓	✓	42.38	5.50	48.00	23.59
42E8	2 - 5		✓	✓				
48E4	2 - 5	860	✓	✓	48.38	6.00	54.00	23.59
48E8	3, 5		✓	✓				

NOTES:

1. Availability is in working days.
2. TEFC and EXP motors available on 10-Day ship.
3. 'E' propeller is die cast aluminum, adjustable pitch (4- or 8-bladed).
4. Exhaust fan dimensions shown.



APPLICATION

Specifically designed for cost effective, general-purpose ventilation. Available in either exhaust or supply configurations. The galvanized steel panel design is available with cast aluminum³ propellers to meet specific application requirements.

SIZES

14" to 48" wheel diameters

PERFORMANCE

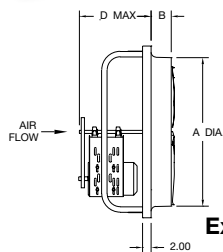
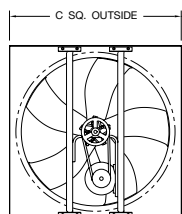
Airflow to 35,300 CFM
 Static pressure to 1" w.g.

LITERATURE (Available at www.tcf.com)

Catalog 4820
 Installation and Maintenance Manual - IM-4800
 Installation and Maintenance Manual - ES-404

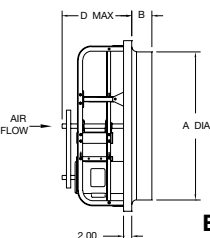
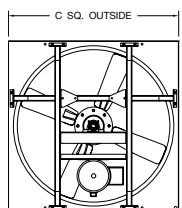
ACCESSORIES

See page 23.



Size
L1, L2 & L3 21-36

Exhaust Airflow



Size
L3 42-60

Exhaust Airflow

SIZE	HP	AVAILABILITY ¹		FAN DIMENSIONS					
		ODP	Other ²	A	B ⁴	C ⁴	D MAX.		
		5-DAY	10-DAY						
21L1	1/4 - 1/2	✓	✓	21.25	3.50	25.00	15.88		
21L2	1/2, 3/4	✓	✓				17.25		
21E4	1/4 - 3/4	✓	✓						
21E8	1/4 - 3/4	✓	✓						
24L1	1/4 - 3/4	✓	✓	24.25	3.50	28.00	16.19		
24L2	1/2 - 1	✓	✓				17.25		
24E4	1/3 - 1 1/2	✓	✓						
24E8	1/3 - 1	✓	✓						
30L1	1/4 - 1	✓	✓	30.38	4.00	36.00	17.81		
30L2	3/4 - 2	✓	✓				19.31		
30E4	1/2 - 5	✓	✓				18.31		
30E8	1/2 - 2	✓	✓						
36L1	1/3 - 1	✓	✓	36.38	5.00	42.00	17.50		
36L2	1 - 2	✓	✓				19.13		
36E4	3/4 - 5	✓	✓				18.31		
36E8	3/4 - 3	✓	✓						
42L1	1/3 - 1	✓	✓	42.38	5.50	48.00	17.88		
42L2	1 - 5	✓	✓				19.38		
42E4	1 - 7 1/2	✓	✓				21.31		
42E8	1 - 3	✓	✓						
48L1	1/2 - 1	✓	✓	48.38	6.00	54.00	18.75		
48L2	1 1/2 - 5	✓	✓				20.13		
48E4	1 1/2 - 10	✓	✓				21.31		
48E8	1 1/2 - 5	✓	✓						
54L1	3/4 - 1 1/2	✓	✓	54.38	6.50	60.00	18.88		
54L2	1 1/2 - 5	✓	✓				20.50		
60L1	3/4 - 2	✓	✓	60.38	7.25	66.00	19.50		
60L2	1 1/2 - 5	✓	✓				24.75		

NOTES:

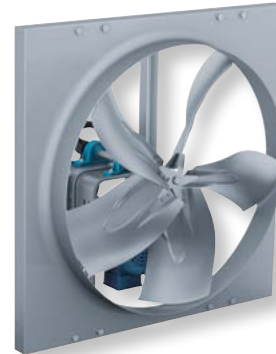
1. Availability is in working days.
2. TEFC and EXP motors available on 10-Day ship.
3. 'E' propeller is die cast aluminum, adjustable pitch (4- or 8-bladed).
4. Exhaust fan dimensions shown.



Model TCPE



Model WPD



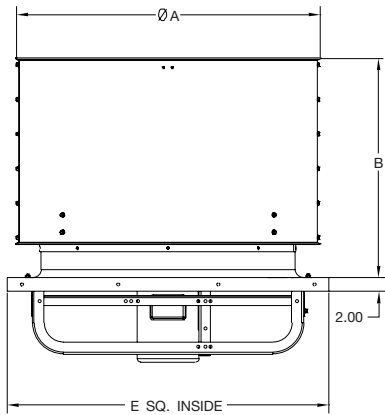
Model WPB

FAN ACCESSORIES		AVAILABILITY ¹			
		48-HOUR	5-DAY	10-DAY	15-DAY
Speed Control ² (TCPE only)		—	✓	✓	✓
NEMA 1 Disconnect Switch ²		—	✓	✓	✓
NEMA 3R Disconnect Switch ² (WPB, WPD only)		—	✓	✓	✓
NEMA 7/9 Disconnect Switch ² (WPB, WPD only)		—	—	✓	✓
Backdraft Dampers	Gravity	—	✓	✓	✓
	Motorized	—	✓	✓	✓
Damper Guard		—	✓	✓	✓
Wall Box w/ Guard (WPB, WPD)		—	✓	✓	✓
Wall Collar		—	✓	✓	✓
OSHA Motor Side Guard (WPB, WPD)		—	✓	✓	✓
Weatherhood		—	✓	✓	✓
Stainless Steel Shaft		—	—	✓	✓
Filter Box (WPB, WPD)		—	—	—	✓
Filter Box, Painted (WPB, WPD)		—	—	—	✓
Supply Fan Configuration (WPB, WPD)		—	—	✓	✓
Coatings	Enamel, Air-dried (Gray)	—	—	✓	✓
	Epoxy, Air-dried (Black)	—	—	—	✓
	Phenolic Heresite, Air-dried (Gray)	—	—	—	✓

NOTES:

1. Availability is in working days.
2. Shipped loose for field mount.





APPLICATION

Low profile upblast roof ventilators provide cost effective, general-purpose ventilation of commercial buildings, with a pleasing low profile design that minimizes extension above the roof line. Available with cast aluminum² propellers to meet specific application requirements.

SIZES

14" to 48" wheel diameters

PERFORMANCE

Airflow to 31,400 CFM

Static pressure to 1" w.g.

LITERATURE (Available at www.tcf.com)

Catalog 4870

Installation and Maintenance Manual - IM-4870

ACCESSORIES

See page 28.

SIZE	HP	RPM	AVAILABILITY ¹	FAN DIMENSIONS		
			10-DAY	A	B	E
14E4	1/4, 1/3	1725	✓	21.13	19.20	21.50
14E8	1/4, 1/3		✓			
16E4	1/4 - 1/2	1725	✓	23.13	20.20	24.50
16E8	1/3, 1/2		✓			
18E4	1/3 - 3/4	1725	✓	25.13	21.20	26.50
18E8	1/2, 3/4		✓			
21E4	1/2 - 1 1/2	1725	✓	28.44	22.70	29.50
21E8	3/4 - 1 1/2		✓			
24E4	1/2 - 2	1725	✓	31.88	24.44	32.50
24E8	1 - 3		✓			
30E4	3/4 - 2	1160	✓	37.88	27.94	40.50
30E8	1 - 2		✓			
36E4	1 - 5	1160	✓	43.88	31.94	46.50
36E8	2, 5		✓			
42E4	1 1/2 - 5	860	✓	49.88	34.92	52.50
42E8	2 - 5		✓			
48E4	2 - 5	860	✓	55.88	37.92	58.50
48E8	3, 5		✓			

NOTES:

1. Availability is in working days.
2. 'E' propeller is die cast aluminum, adjustable pitch (4- or 8-bladed).

APPLICATION

Low profile upblast roof ventilators provide cost effective, general purpose ventilation of commercial buildings, with a pleasing low profile design that minimizes extension above the roof line. Available with cast aluminum² propellers to meet specific application requirements.

SIZES

21" to 60" wheel diameters

PERFORMANCE

Airflow to 60,800 CFM
Static pressure to 1" w.g.

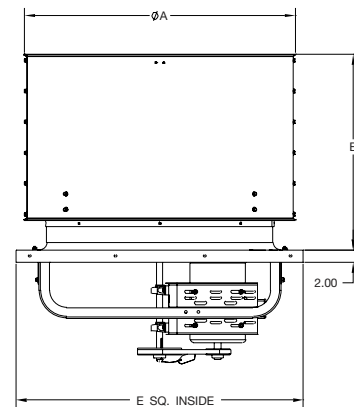
LITERATURE (Available at www.tcf.com)

Catalog 4870

Installation and Maintenance Manual - IM-4870

ACCESSORIES

See page 28.



SIZE	HP	AVAILABILITY ¹		FAN DIMENSIONS		
		ODP	Other ²	A	B	E
		5-DAY	10-DAY			
21L1	1/4 - 1/2	✓	✓	28.44	22.70	29.50
21L2	1/2, 3/4	✓	✓			
21E4	1/4 - 3/4	✓	✓			
21E8	1/4 - 3/4	✓	✓			
24L1	1/4 - 3/4	✓	✓	31.88	24.44	32.50
24L2	1/2 - 1	✓	✓			
24E4	1/3 - 1 1/2	✓	✓			
24E8	1/3 - 1	✓	✓			
30L1	1/4 - 1	✓	✓	37.88	27.94	40.50
30L2	3/4 - 2	✓	✓			
30E4	1/2 - 5	✓	✓			
30E8	1/2 - 2	✓	✓			
36L1	1/3 - 1	✓	✓	43.88	31.94	46.50
36L2	1 - 2	✓	✓			
36E4	3/4 - 5	✓	✓			
36E8	3/4 - 3	✓	✓			
42L1	1/3 - 1	✓	✓	49.88	34.92	52.50
42L2	1 - 5	✓	✓			
42E4	1 - 7 1/2	✓	✓			
42E8	1 - 3	✓	✓			
48L1	1/2 - 1	✓	✓	55.88	37.92	58.50
48L2	1 1/2 - 5	✓	✓			
48E4	1 1/2 - 10	✓	✓			
48E8	1 1/2 - 5	✓	✓			
54L1	3/4 - 1 1/2	✓	✓	54.61.88	40.92	64.50
54L2	1 1/2 - 5	✓	✓			
60L1	3/4 - 2	✓	✓	67.88	43.92	70.50
60L2	1 1/2 - 5	✓	✓			

NOTES:

1. Availability is in working days.
2. 'E' propeller is die cast aluminum, adjustable pitch (4- or 8-bladed).



APPLICATION

Specifically designed for cost effective, reliable air movement in commercial and light industrial ducted and non-ducted applications. Available with cast aluminum propellers to meet specific application requirements.

SIZES

14" to 48" wheel diameters

PERFORMANCE

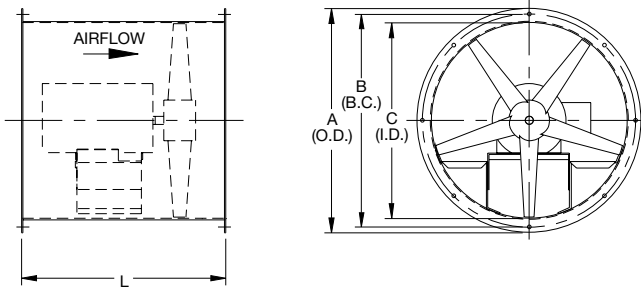
Airflow to 42,900 CFM
Static pressure to 1.5" w.g.

LITERATURE (Available at www.tcf.com)

Catalog 4830
Installation and Maintenance Manual - ES-191
Installation and Maintenance Manual - ES-404

ACCESSORIES

See page 28.



SIZE	HP	RPM	AVAILABILITY ¹		FAN DIMENSIONS			
			10-DAY	15-DAY	A	B	C	L
14E4	1/4, 1/3	1725, 1160	✓	✓	16.88	15.88	14.25	19.00
14E8	1/4 - 1/2	1725, 1160	✓	✓				
16E4	1/4 - 1/2	1725, 1160	✓	✓	19.63	17.88	16.13	19.00
16E8	1/4 - 3/4	1725, 1160	✓	✓				
18E4	1/4 - 3/4	1725, 1160	✓	✓	21.75	19.88	18.25	19.00
18E8	1/4 - 1	1725, 1160	✓	✓				
21E4	1/4 - 1 1/2	1725, 1160	✓	✓	24.75	22.88	21.25	21.00
21E8	1/4 - 1 1/2	1725, 1160	✓	✓				
24E4	1/4 - 2	1725, 1160, 860	✓	✓	27.75	25.88	24.25	21.00
24E8	1/4 - 3	1725, 1160, 860	✓	✓				
30E4	1/4 - 5	1725, 1160, 860	✓	✓	33.88	32.00	30.38	26.00
30E8	1/2 - 5	1725, 1160, 860	✓	✓				
36E4	1/2 - 10	1725, 1160, 860	✓	✓	40.50	38.38	36.50	27.00
36E8	3/4 - 10	1725, 1160, 860	✓	✓				
42E4	1 1/2 - 10	1160, 860	✓	✓	46.75	44.63	42.75	31.00
42E8	3 - 10	1160, 860	✓	✓				
48E4	2 - 10	1160, 860	✓	✓	52.63	50.63	48.63	35.00
48E8	3 - 10	1160, 860	✓	✓				

NOTES:
1. Availability is in working days.

APPLICATION

Specifically designed for cost effective, reliable air movement in commercial and light industrial ducted and non-ducted applications. Available with cast aluminum³ or fabricated steel⁴ propellers to meet specific application requirements.

SIZES

14" to 60" wheel diameters

PERFORMANCE

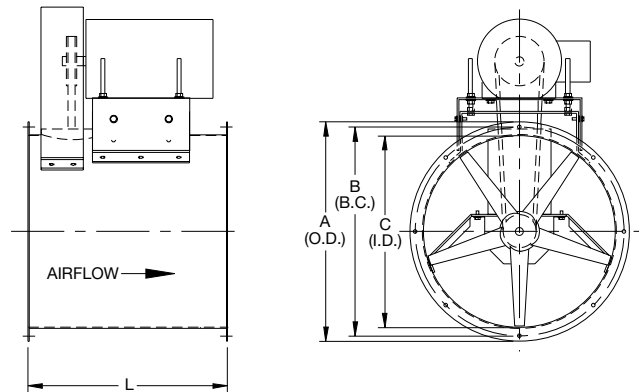
Airflow to 82,600 CFM
Static pressure to 1.5" w.g.

LITERATURE (Available at www.tcf.com)

Catalog 4830
Installation and Maintenance Manual - ES-191
Installation and Maintenance Manual - ES-404

ACCESSORIES

See page 28.



SIZE	HP	AVAILABILITY ¹		FAN DIMENSIONS			
		10-DAY	C/Z-Prop ² 10-DAY	A	B	C	L
14E4	1/4 - 3/4	✓	✓	16.88	15.88	14.25	19.00
14E8	1/4 - 3/4	✓	✓				
16E4	1/4 - 1	✓	✓	19.63	17.88	16.13	19.00
16E8	1/4 - 1	✓	✓				
18E4	1/4 - 1 1/2	✓	✓	21.75	19.88	18.25	19.00
18E8	1/4 - 1 1/2	✓	✓				
21E4	1/4 - 2	✓	✓	24.75	22.88	21.25	21.00
21E8	1/4 - 2	✓	✓				
24E4	1/3 - 3	✓	✓	27.75	25.88	24.25	21.00
24E8	1/3 - 3	✓	✓				
24Z5	1/3 - 3	—	✓				
30E4	1/2 - 5	✓	✓	33.88	32.00	30.38	26.00
30E8	1/2 - 5	✓	✓				
30Z5	1/2 - 5	—	✓				
36E4	3/4 - 7 1/2	✓	✓	40.50	38.38	36.50	27.00
36E8	3/4 - 7 1/2	✓	✓				
36Z5	3/4 - 7 1/2	—	✓				
42E4	1 - 10	✓	✓	46.75	44.63	42.75	31.00
42E8	1 - 10	✓	✓				
42Z5	1 - 10	—	✓				
48E4	1 1/2 - 10	✓	✓	52.63	50.63	48.63	35.00
48E8	1 1/2 - 10	✓	✓				
48Z5	1 1/2 - 10	—	✓				
54C3	1 1/2 - 15	—	✓	58.63	57.25	54.63	40.00
54C6	1 1/2 - 15	—	✓				
54Z5	1 1/2 - 15	—	✓				
60C3	2 - 25	—	✓	64.63	63.25	60.63	40.00
60C6	2 - 25	—	✓				
60Z5	2 - 25	—	✓				

NOTES:

1. Availability is in working days. pitch (5-bladed).
2. 'C' and 'Z' props available on 15-Day ship.
3. 'E' propeller is die cast aluminum, adjustable pitch (4- or 8-bladed).
'C' propeller is cast aluminum, adjustable pitch (4- or 6-bladed).
4. 'Z' propeller is fabricated steel, fixed



APPLICATION

Designed to remove smoke in the event of a fire. The TBSH is designed to meet time/temperature standards (500°F for 4 hours, 1,000°F for 15 minutes) set forth by UL, IRL and SBCCI. A fabricated steel propeller is standard.

SIZES

24" to 60" wheel diameters

PERFORMANCE

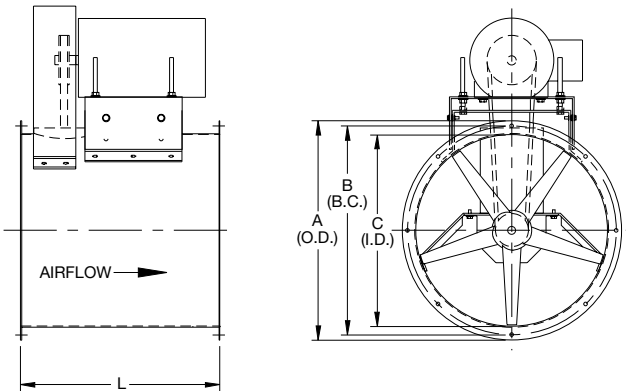
Airflow to 82,600 CFM
Static pressure to 1.25"

LITERATURE (Available at www.tcf.com)

Catalog 4830
Installation and Maintenance Manual - ES-191

ACCESSORIES

See below.



SIZE	HP	AVAILABILITY ¹				FAN DIMENSIONS			
		48-HOUR	5-DAY	10-DAY	15-DAY	A	B	C	L
24Z5	1/3 - 3	—	—	—	✓	27.75	25.88	24.25	21.00
30Z5	1/2 - 5	—	—	—	✓	33.88	32.00	30.38	26.00
36Z5	3/4 - 7 1/2	—	—	—	✓	40.50	38.38	36.50	27.00
42Z5	1 - 10	—	—	—	✓	46.75	44.63	42.75	31.00
48Z5	1 1/2 - 10	—	—	—	✓	52.63	50.63	48.63	35.00
54Z5	1 1/2 - 15	—	—	—	✓	58.63	57.25	54.63	40.00
60Z5	2 - 25	—	—	—	✓	64.63	63.25	60.63	40.00

NOTES:

1. Availability is in working days.

ACCESSORIES
ROOF VENTILATORS (LUD/B); TUBEAXIALS (TD/B, TBSH)

LUD and LUB FAN ACCESSORIES	AVAILABILITY ¹	
	10-DAY	15-DAY
Inlet Safety Guard, Basket Type	✓	✓
Fusible Link Assembly	✓	✓
Magnetic Damper Latches	✓	✓
Extended Lubrication Lines (LUB only)	✓	✓
Hinged Base (available thru size 36 only)	✓	✓
Roof Curb, 12" Galv.	✓	✓
NEMA 3R Disconnect Switch ³	✓	✓
NEMA 7/9 Disconnect Switch ³	✓	✓
Birdscreen	✓	✓
Tie Down Brackets	✓	✓

NOTES:

1. Availability is in working days.
2. Spark Resistant Construction available on TB fans with 'E' and 'C' propellers only.
3. Shipped loose for field mount.

TD, TB and TBSH FAN ACCESSORIES	AVAILABILITY ¹	
	10-DAY	15-DAY
Mounting Brackets	✓	✓
Belt Guard	✓	✓
Inlet/Outlet Screen	✓	✓
Inlet Bell	✓	✓
Inlet/Outlet Companion Flange	✓	✓
Access Door	✓	✓
Vibration Isolators	✓	✓
Shaft Seal (TB only)	✓	✓
Spark Resistant Construction, Type 'B' ²	✓	✓
NEMA 1 Disconnect Switch ³	✓	✓
NEMA 3R Disconnect Switch ³	✓	✓
NEMA 7/9 Disconnect Switch ³	✓	✓

APPLICATION

Specifically designed to supply and exhaust air in hospitals, hotels, schools, fume hoods, etc. Three wheel types are available: backward inclined (BCV), backward inclined (DCV) and airfoil (BAV).

SIZES

10.5" to 60" wheel diameters

PERFORMANCE

BCV – Airflow to 78,600 CFM
Static pressure to 8" w.g.

BAV – Airflow to 32,100 CFM
Static pressure to 8" w.g.

DCV – Airflow to 8,200 CFM
Static pressure to 2.5" w.g.

LITERATURE (Available at www.tcf.com)

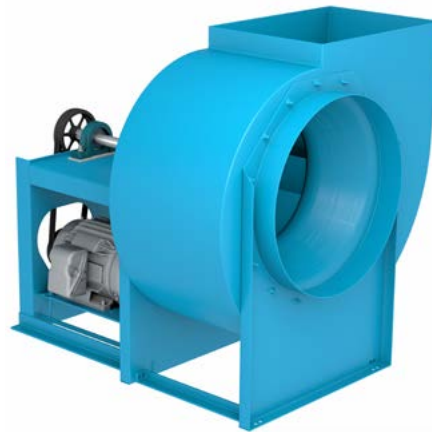
Catalog 600

Installation and Maintenance Manual - IM-995

Installation and Maintenance Manual - IM-4055 (DCV)

ACCESSORIES

See page 30.



Model BCV



Model DCV

BI/AF Wheel, Belt Driven

BCV - Backward Inclined Utility Set BAV - Airfoil Utility Set DCV - Direct Drive Backward Inclined Utility Set				
SIZE	CLASS	HP	AVAILABILITY ¹ ODP/TEFC	
			5-DAY	10-DAY
60	I	all	✓	✓
75	I	all	✓	✓
90	L	all	✓	✓
	I	all	✓	✓
105	L	all	✓	✓
	I	all	✓	✓
122	L	all	✓	✓
	I	all	✓	✓
	II	all	—	✓
135	L	all	✓	✓
	I	all	✓	✓
	II	all	—	✓
150	L	all	✓	✓
	I	all	✓	✓
	II	all	—	✓
165	L	all	✓	✓
	I	all	✓	✓
	II	all	—	✓
182	L	all	✓	✓
	I	all	✓	✓
	II	all	—	✓
200	L	all	✓	✓
	I	all	✓	✓
	II	all	—	✓
222	L	all	✓	✓
	I	all	✓	✓
	II	all	—	✓

BCV - Backward Inclined Utility Set BAV - Airfoil Utility Set DCV - Direct Drive Backward Inclined Utility Set				
SIZE	CLASS	HP	AVAILABILITY ¹ ODP/TEFC	
			5-DAY	10-DAY
245	L	all	✓	✓
	I	all	✓	✓
	II	all	—	✓
270	L	all	✓	✓
	I	all	✓	✓
	II	all	—	✓
300	I	all	—	✓
	II	all	—	✓
330	I	all	—	✓
	II	all	—	✓
365	I	all	—	✓
	II	all	—	✓

NOTES:

1. Availability is in working days.



UL 705/UL 762/Smoke & Heat - BI Wheel Class 1, Belt Driven

BCV - Backward Inclined Utility Set, UL 705 BCVR - Backward Inclined Utility Set, UL 762 BCVSH - Backward Inclined Utility Set, UL Smoke & Heat				
SIZE	UL TYPE	HP	AVAILABILITY ¹ ODP/TEFC	
			5-DAY	10-DAY
105	U5/U2	all	—	✓
122	U5/U2/SH	all	—	✓
135	U5/U2/SH	all	—	✓
150	U5/U2/SH	all	—	✓
165	U5/U2/SH	all	—	✓
182	U5/U2/SH	all	—	✓
200	U5/U2/SH	all	—	✓
222	U5/U2/SH	all	—	✓
245	U5/U2/SH	all	—	✓
270	U5/U2/SH	all	—	✓
300	U5/U2/SH	all	—	✓
330	U5/U2/SH	all	—	✓
365	U5/U2/SH	all	—	✓

NOTES:
 1. Availability is in working days.

APPLICATION

These small fans are used for general exhaust of washrooms, exhaust of hoods, restaurant counters and a number of other applications where space is limited.

SIZES

10.5" to 60" wheel diameters

PERFORMANCE

BCVR – Airflow to 29,100 CFM
 Static pressure to 8" w.g.
 BCVSH – Airflow to 78,660 CFM

LITERATURE (Available at www.tcf.com)

Catalog 600
 Installation and Maintenance Manual - IM-995

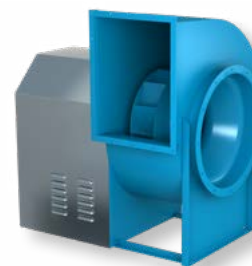
ACCESSORIES

See below.

ACCESSORIES
UTILITY SETS (BCV/BCVR/BSVSH, DCV, BAV)

BCV, DCV, BCVR, BCVSH, BAV FAN ACCESSORIES	AVAILABILITY ¹	
	5-DAY	10-DAY
Access Door - Bolted	✓	✓
Access Door - Quick Opening	✓	✓
Belt Guard - Std Type	✓	✓
Weather Cover (OSHA Belt Guard)	✓	✓
Drain Connection	✓	✓
Inlet Flange	✓	✓
Outlet Flange	✓	✓
Inlet Screen	✓	✓
Outlet Screen	—	✓
Shaft Seal	—	✓
AMCA Spark 'B' Construction	✓	✓
AMCA Spark 'C' Construction	✓	✓
High Temp Construction, 301-500°F (BCV only)	—	✓
High Temp Construction, 501-600°F ² (BCV only)	—	✓
Gravity Shutter - Std Duty	✓	✓
Vibration Isolators, Pads or Hangers	✓	✓
Vibration Isolators, Rails	—	✓
NEMA 1 Disconnect Switch ³	✓	✓
NEMA 3R Disconnect Switch ³	✓	✓
Two-Groove Drive (Belt Driven Fans)	—	✓
Coatings	Epoxy, Air-dried	—
	Phenolic, Air-dried	—

NOTES:
 1. Availability is in working days.
 2. High Temp 501-600°F for CL II fans only.
 3. Shipped loose for field mount.



Model BCV



Model BAV

APPLICATION

Designed to provide low volume, high pressure air for cooling, ventilating and exhaust systems that handle dust, materials or corrosive fumes.

SIZES

7" to 18" wheel diameters

PERFORMANCE

Airflow to 3,660 CFM
Static pressure to 22" w.g.

LITERATURE (Available at www.tcf.com)

Catalog 820
Installation and Maintenance Manual - IM-995

ACCESSORIES

See below.



Model TPD

TPD - ARR. 4, 4HI Direct Drive

Cast Aluminum Pressure Blower		
SIZE	AVAILABILITY ¹	
	5-DAY	10-DAY
8	✓	✓
9	✓	✓
10	✓	✓
12	✓	✓
14	✓	✓
15	✓	✓
18	✓	✓

NOTES:

1. Availability is in working days.
2. ODP and TEFC motors are included on QuickShip Program.

ACCESSORIES
CAST ALUMINUM BLOWERS (TPD)

TPD - Cast Aluminum Pressure Blower		
FAN ACCESSORIES	AVAILABILITY ¹	
	5-DAY	10-DAY
Inlet Flange	✓	✓
Outlet Flange	✓	✓
Inlet Guard	✓	✓
Outlet Guard	✓	✓
Shaft Seal	✓	✓
Drain w/ Plug	✓	✓
Slide Gate Damper - Inlet	✓	✓
Slide Gate Damper - Outlet	✓	✓

NOTES:

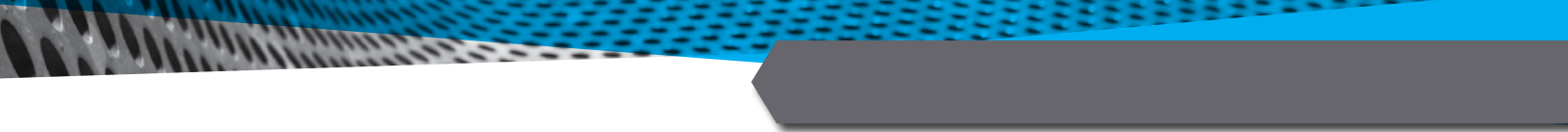
1. Availability is in working days.



FAN MODEL	QUICK SHIP	EFFICIENCY	HP	RPM	VOLT/HZ/PH	ENCLOSURE
BCV/BAV	5 Day	Std. Efficiency	1/6 - 1	1800 3600	115/60/1 208-230/60/3 460/60/3 575/60/3	ODP & TEFC
		Std. Efficiency	1/4 - 10	1800 3600	115/60/1 208-230/60/1	ODP & TEFC
		Prem. Efficiency	1 - 10	1800 3600	208-230/60/3 460/60/3 575/60/3	ODP & TEFC
	10 Day	Std. Efficiency	1 - 50	1800 3600	208-230/60/3 460/60/3 575/60/3	ODP & TEFC
		Prem. Efficiency	1 - 50	1800 3600	208-230/60/3 460/60/3 575/60/3	ODP & TEFC
		Std. Efficiency	1/3 - 3/4	1800 3600	115/60/1 208-230/60/1	ODP & TEFC
TPD	5 & 10 Day	Std. Efficiency	1/3 - 20	1800 3600	208-230/60/3 460/60/3 460/60/3 575/60/3	ODP & TEFC
		Prem. Efficiency	1 - 20	1800 3600	208-230/60/3 460/60/3 575/60/3	ODP & TEFC
		Std. Efficiency	1/3 - 3/4	1800 3600	115/60/1 208-230/60/1	ODP & TEFC

*Must check individual catalogs for maximum frame sizes on each size and class.





INDUSTRIAL PROCESS AND COMMERCIAL VENTILATION SYSTEMS

CENTRIFUGAL FANS | UTILITY SETS | PLENUM & PLUG FANS | INLINE CENTRIFUGAL FANS
MIXED FLOW FANS | TUBEAXIAL & VANEAXIAL FANS | PROPELLER WALL FANS | PROPELLER ROOF VENTILATORS
CENTRIFUGAL ROOF & WALL EXHAUSTERS | CEILING VENTILATORS | GRAVITY VENTILATORS | DUCT BLOWERS
RADIAL BLADED FANS | RADIAL TIP FANS | HIGH EFFICIENCY INDUSTRIAL FANS | PRESSURE BLOWERS
LABORATORY EXHAUST FANS | FILTERED SUPPLY FANS | MANCOOLERS | FIBERGLASS FANS | CUSTOM FANS



TWIN CITY FAN & BLOWER
WWW.TCF.COM

5959 TRENTON LANE N | MINNEAPOLIS, MN 55442 | PHONE: 763-551-7600 | FAX: 763-551-7601

©2018 Twin City Fan Companies, Ltd., Minneapolis, MN. All rights reserved. Catalog illustrations cover the general appearance of Twin City Fan & Blower products at the time of publication and we reserve the right to make changes in design and construction at any time without notice.